

CLEAR 25W EQUIVALENT FLAME-TIP LED CANDLE

Advanced Driver-Free LEDs that look and feel like traditional incandescent

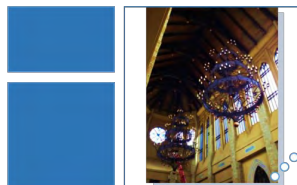
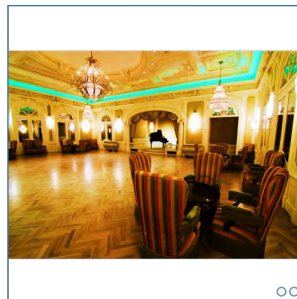
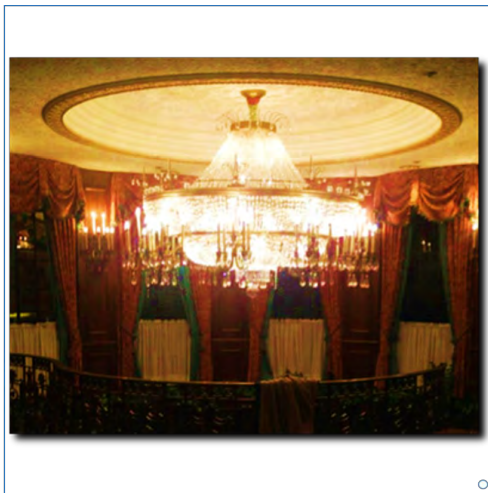
PRODUCT FEATURES

- True LED Replacement for Incandescent Lamps
- Incandescent Appearance & Uniform Light Quality
- Clear Glass Lamp with Optical Diffuser
- Integrated Driver-Free System
- Smooth Dimming System
- Lighting Design Lab Listed
- Extended 5-Year Warranty



ENERGY SAVINGS—OVER THE LIFE OF THE LAMP¹

DESCRIPTION	25W REPLACEMENT ¹
Annual Electric Bill Savings	\$11.51
Total Savings Over LED Lamp Life	\$269.40
Return on Investment	0.5 Years



○ CHANDELIER ○ SCONCE ○ UPLIGHT

APPLICATIONS

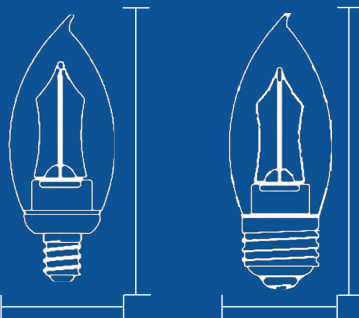


	LM	79
	LM	80

US PATENT # 8,067,891 B2 / 7,635,201 B2

DIMENSIONS AND WEIGHT

BASE TYPE	LENGTH (inches)	DIAMETER (inches)	WEIGHT (g)
E12	4.25"	1.25"	52g
E26	3.95"	1.25"	57g



DIMMER COMPATIBILITY²

BRAND	MODEL NUMBER	DIM RANGE—1 LAMP		DIM RANGE—3 LAMPS	
		MIN	MAX	MIN	MAX
LUTRON	DVELV-300P	0%	100%	0%	100%
	SELV-300P	0%	100%	0%	100%
	LGCL-153P	20%	100%	20%	100%
	TGCL-153P	15%	100%	15%	100%
	SCL-153P	15%	100%	15%	100%

ORDERING INFORMATION

MODEL NUMBER	LAMP TYPE	BASE	WATTS / REPLACES	LUMENS	CCT	APPLICATIONS	WARRANTY
LCA12C18024K1	Clear—Flame Tip	E12	3.1W / 25W	180lm	2400k	 	50,000 hours
LCA12C18027K1	Clear—Flame Tip	E12	3.1W / 25W	180lm	2700K	 	50,000 hours
LCA12C20024K1	Clear—Flame Tip	E12	4.0W / 25W	200lm	2400K	 	50,000 hours
LCA12C20027K1	Clear—Flame Tip	E12	4.0W / 25W	200lm	2700K	 	50,000 hours
LCA12C24024K1	Clear—Flame Tip	E12	4.5W / 25W	240lm	2400K	 	50,000 hours
LCA12C24027K3	Clear—Flame Tip	E12	4.5W / 25W	240lm	2700K	 	50,000 hours
LCA26C24024K1	Clear—Flame Tip	E26	4.5W / 25W	240lm	2400K	 	50,000 hours
LCA26C24027K3	Clear—Flame Tip	E26	4.5W / 25W	240lm	2700K	 	50,000 hours

NOTE 1: Annual savings calculation based on \$0.12/KWH, operating 12-hr/day, \$1 incandescent w/ 1,000-hr life, and LED w/ 50,000-hr life
 NOTE 2: Dimmer compatibility lists dimmers that has been tested to operate properly under normal conditions. May not include all compatible dimmers.

