



# Class 1 Div 1 Round LED Explosion-Proof Fixture

## DESCRIPTION

Provide exceptional energy and maintenance savings by existing metal halide fixtures with these round LED hazardous location fixtures.

## FEATURES

- Durable, explosion proof design ideal for areas with ignitable and combustible elements that are continuously, intermittently, or periodically present under normal operating conditions
- Impressive 150 LPW ultra-high efficiency delivers superior performance over HID fixtures
- Replaces up to a 400W metal halide explosion-proof fixture
- Completely sealed against water and dust ingress
- Wire guard included, provides additional protection to lens
- 19.7-inch whip (AC whip only)

## LISTINGS

- Class 1 Div 1 for Groups B, C, D
- IP66 Rated
- IK08
- CSA
- UL Listed for wet locations

## PERFORMANCE

- CRI: 80+
- CCT: 5000K
- Beam Angle: 110°
- LED L70 Life Hours: 50,000 hours
- Sosen LED driver (PLT-13623 & PLT-13624 only)

## ELECTRICAL

- THD: ≤ 20%
- Power Factor: ≥ 0.9
- Input Voltage: 120-277V
- Surge Protection: 6kV

## THERMAL

- -40°F to 131°F (-40°C to 55°C) operating temperature

## INSTALLATION

- Designed for mounting with pre-installed bracket or for pendant mounting to a 3/4 inch NPT threaded pipe; see installation instructions for more information

## CONSTRUCTION

- Aluminum alloy housing with grey finish
- Clear, flat glass lens with wire guard

Project name	Type
Catalog number	
Comments	Voltage
Approved by	Date



## WARRANTY

- 5-year limited warranty; see [pltsolutions.com](http://pltsolutions.com) for warranty details

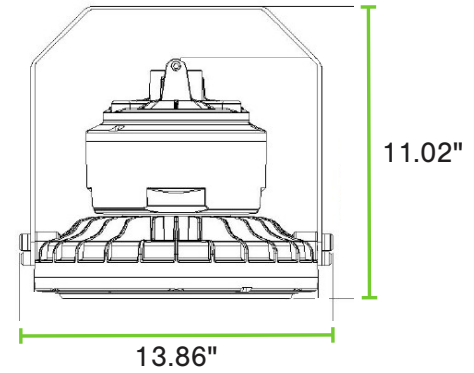
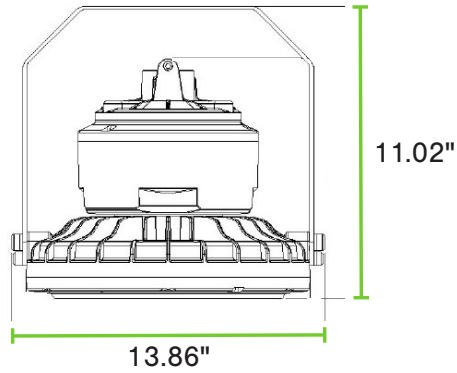
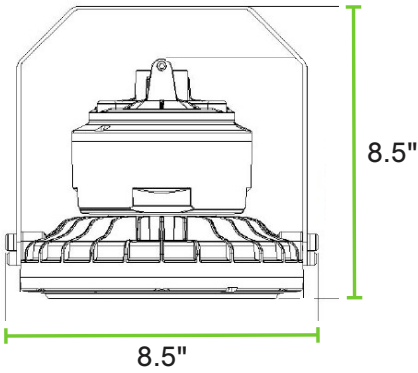
## APPLICATIONS

- Warehouses
- Factories
- Workshops
- Petroleum Refineries
- Grain Processing Facilities
- Chemical Manufacturing
- Gas Stations
- Ship Ports

## PERFORMANCE SUMMARY

Item #	Watts	Lumens	LPW	CRI	CCT	Lens	Dimming	Voltage	Replaces	T Rating
PLT-13622	60	8,100	135	>80	5000K	Glass	No	120-277V	MH175	T5
PLT-13623	100	14,800	148	>80	5000K	Glass	No	120-277V	MH250	T6
PLT-13624	150	22,500	150	>80	5000K	Glass	No	120-277V	MH400	T6

## DIMENSIONS



### **PLT-13622**

Height w/ bracket & guard: 8.5"  
 Diameter w/ bracket: 8.5"  
 Weight: 4.52 lbs

Wire Guard Diameter: 7.57"  
 Wire Guard Height: 0.74"

### **PLT-13623**

Height w/ bracket & guard: 11.02"  
 Diameter w/ bracket: 13.86"  
 Weight: 13.86 lbs

Wire Guard Diameter: 12.68"  
 Wire Guard Height: 0.85"

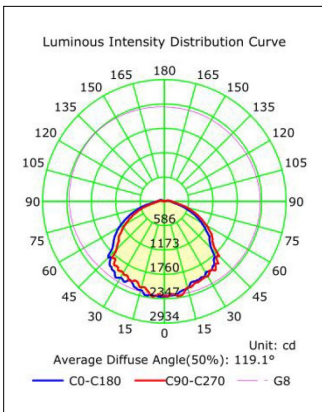
### **PLT-13624**

Height w/ bracket & guard: 11.02"  
 Diameter w/ bracket: 13.86"  
 Weight: 31.20 lbs

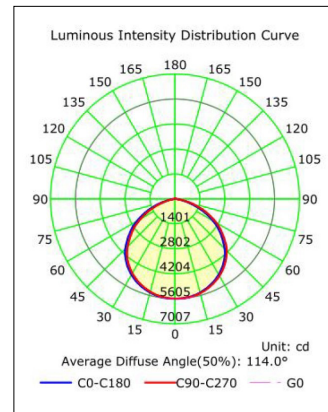
Wire Guard Diameter: 12.86"  
 Wire Guard Height: 0.85"

## PHOTOMETRICS

### **PLT-13622**



### **PLT-13623**



### **PLT-13624**

