



LED T5 BALLAST BYPASS: GLASS

DESCRIPTION

Eliminate ballast maintenance costs and compatibility issues by retrofitting existing fluorescent fixtures with these ballast bypass LED T8 tubes.

FEATURES

- Frosted glass lens reduces visual glare
- Instantaneous full light output upon power-up
- Operates directly off of line voltage, no ballast needed
- Suitable for use in open fixtures
- Solid state replacement for 4' F28T5/HE tubes with miniature bi-pin (G5) bases
- Delivers up to 144 Lumens per Watt for highly efficient performance
- Ballast must be removed, and fixture rewired for double-ended operation during installation; see installation instructions for more information
- Can be paired with emergency drivers, see Compatible Emergency Drivers section for list

LISTINGS

- UL Listed for damp locations
- FCC
- RoHS
- DesignLights Consortium® 5.1 Standard - meets the requirements for the highest DLC qualification for efficacy and lumen maintenance

WARRANTY

- 5-year prorated warranty; see pltsolutions.com for warranty details

Project name	Type
Catalog number	
Comments	Voltage
Approved by	Date



APPLICATIONS

- Office Lighting
- High Bays
- Industrial Strips
- Warehouses
- Stairwells
- Cold Storage

PERFORMANCE	Power Consumption	12.5W
	Lumens	1700, 1800
	Efficacy (LPW)	136, 144
	CRI	82
	Beam	180°
	CCT	3000K, 4000K, 5000K
	LED L70 Life Hours	50000
ELECTRICAL	Power Factor	0.9
	THD	20%
	Input Voltage	120-277V
CONSTRUCTION	Operating Temperature	-4°F to 113°F (-20°C to 45°C)
	Base	Miniature Bi-Pin (G5)
	Lens	Frosted
	Certifications	UL Listed; FCC; DLC 5.1 Standard
LISTINGS	Material Usage	RoHS - No mercury or lead
	Environment	Suitable for Damp Locations

PERFORMANCE SUMMARY

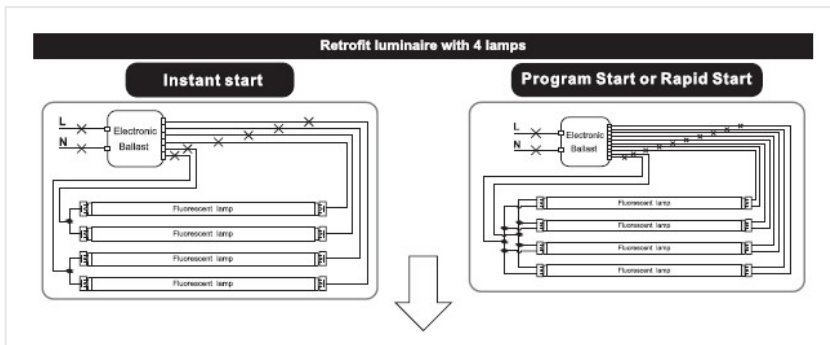
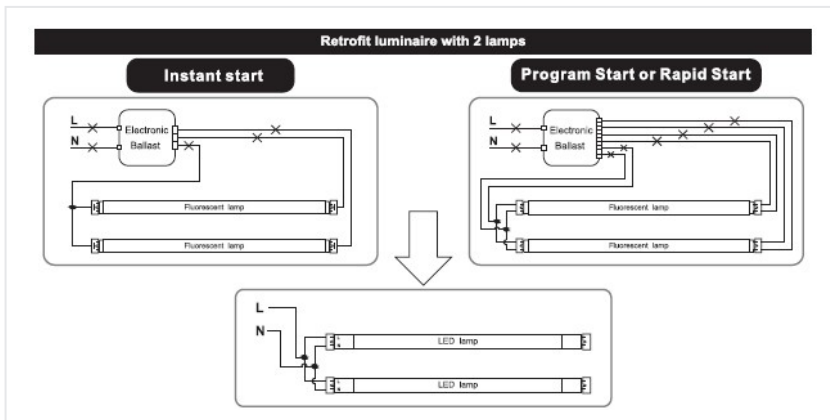
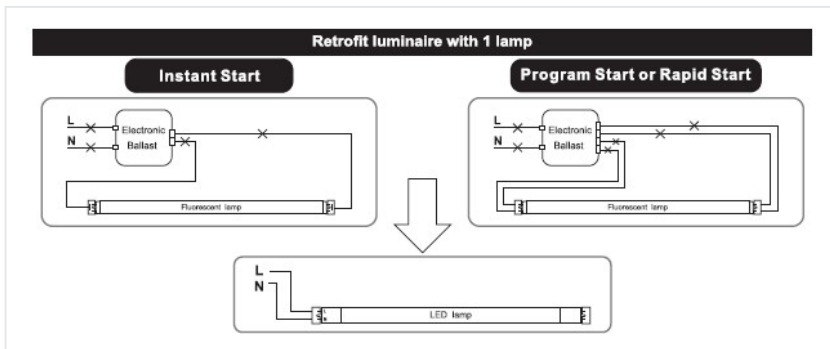
Item #	Length	Lumens	Watts	LPW	CCT	CRI	Beam	Envelope	Base	L70 Life Hours	DLC #	DLC Level
PLT-90369	4'	1700	12.5	136	3500K	82	180°	Glass	G5	50,000	PLTSPEQ213	5.1 Standard
PLT-90370	4'	1800	12.5	144	4000K	82	180°	Glass	G5	50,000	PLTSPEQ214	5.1 Standard
PLT-90371	4'	1800	12.5	144	5000K	82	180°	Glass	G5	50,000	PLTSPEQ215	5.1 Standard

COMPATIBLE EMERGENCY DRIVERS

SKU	Description
PLTS-20116	LED Emergency Backup Driver - Constant Current - 10 Watt - 40-100V Output - 90 Minute Operation
PLTS-20117	LED Emergency Backup Driver - Constant Current - 5 Watt - 40-100V Output - 90 Minute Operation

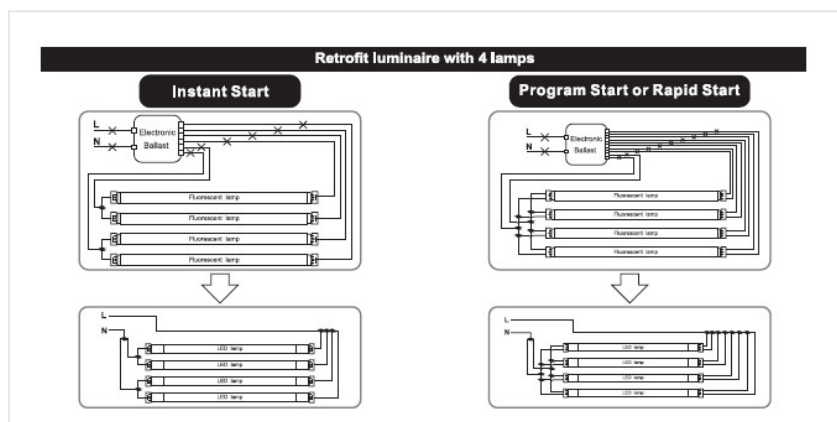
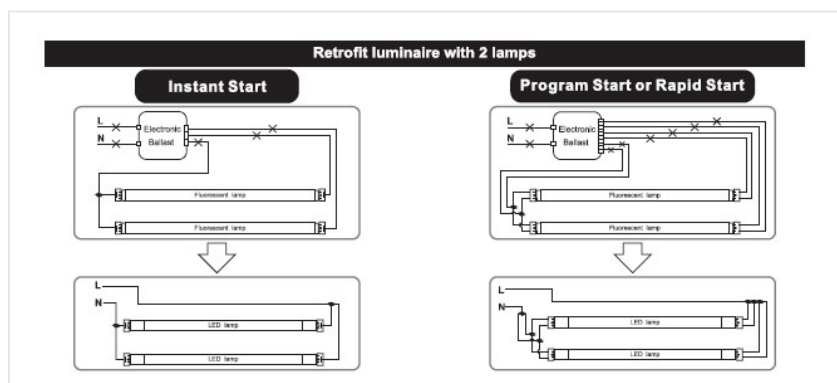
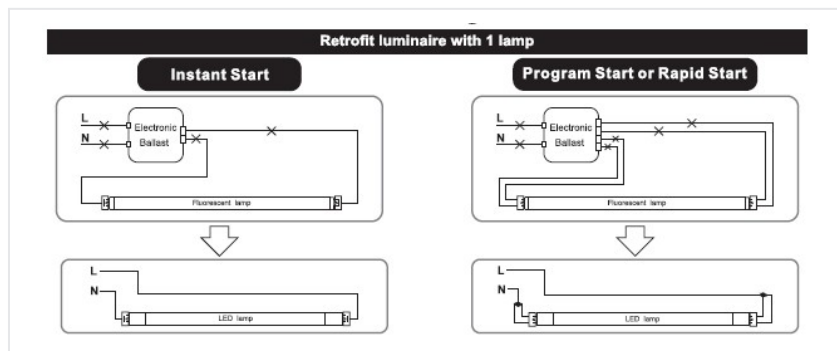
WIRING DIAGRAM

NON-DIMMING – SINGLE ENDED

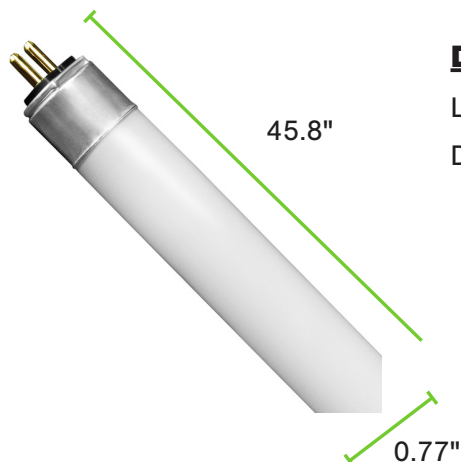


WIRING DIAGRAM

NON-DIMMING – DOUBLE ENDED



DIMENSIONS



DIMENSIONS

Length – 45.8"
Diameter – 0.77"

WARNINGS

- Not for use with ballasts.