



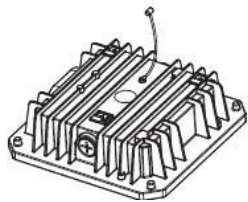
WARNING

- Installation, service, and maintenance of luminaires should be performed by a qualified licensed electrician.
- Disconnect product and allow for cooling prior to servicing.

CAUTION

- Do not make any alterations or modifications to this luminaire as it may cause personal injury, death, property damage, and/or fixture malfunction.
- This luminaire is designed to operate in ambient temperatures ranging from -40°C to 45°C (-40°F to 113°F).
- CONSULT A LICENSED ELECTRICIAN TO ENSURE CORRECT BRANCH CIRCUIT CONDUCTOR.

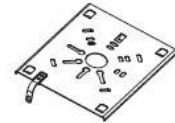
Included Parts



Wiring nut *3pcs



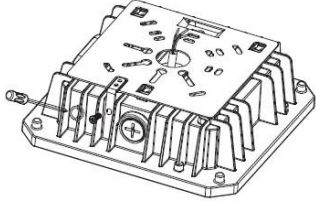
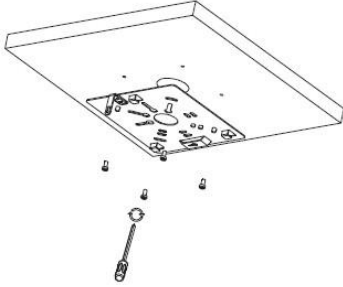
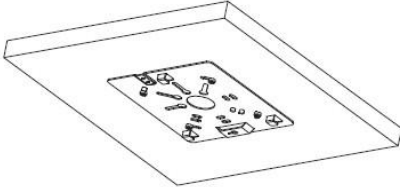
Screws*4pcs



Mounting Plate

Installation Instructions

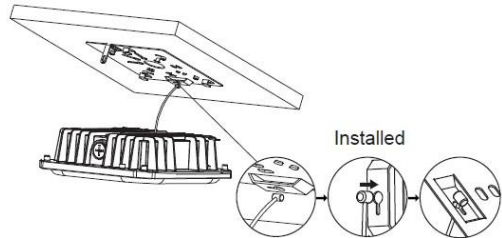
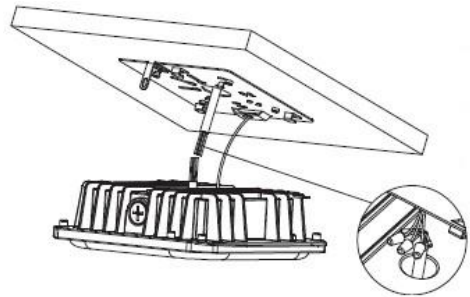
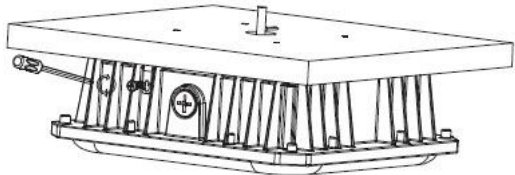
Surface Mount

<p>1. Select the desired CCT, wattage, and photocell operation prior to installing the fixture (see CCT, Wattage, Photocell Selection Guidance section). Remove the screw on the side to remove the mounting plate.</p>	
<p>2. Attach the mounting plate onto the ceiling with the included screws and pull the wiring through the center hole.</p>	
<p>3. After installing the mounting plate onto the ceiling, use sealant along its edges.</p>	

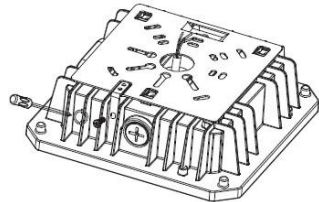
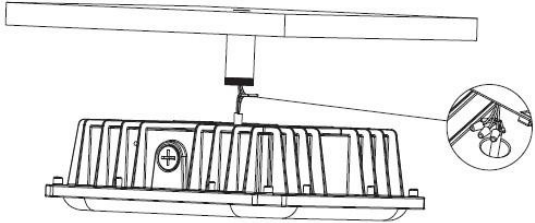
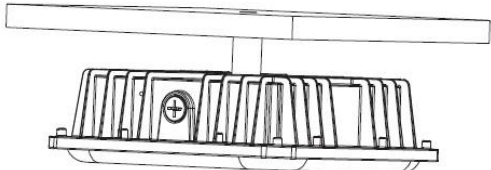


COLOR/WATTAGE SELECTABLE LED CANOPY FIXTURE W/ PHOTOCELL & SENSOR

WARNING, CAUTION, SAFETY AND INSTALLATION INSTRUCTIONS

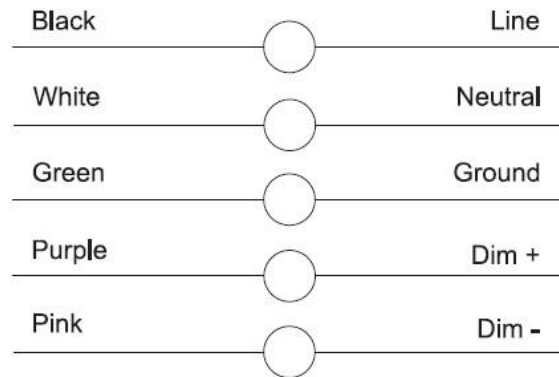
<p>4. Insert the safety cable through the cable buckle's hole until the canopy securely hangs in place. Hang the safety rope of the lamp at the designated position on the connecting plate.</p>	
<p>5. Ensure the power is OFF from the AC main breaker panel. Wire the fixture according to the wiring diagram (see Wiring Diagram Section), then push all of the wiring into the junction box.</p> <p>If external dimming is not required, leave the dimming caps in place.</p>	
<p>6. Insert the canopy housing into the mounting plate brackets, then reinsert the mounting plate screw until the canopy is locked in place.</p>	

Pendant Mount with 3/4-inch Conduit (Not Provided)

<p>1. Select the desired CCT, wattage, and photocell operation prior to installing the fixture (see CCT, Wattage, Photocell Selection Guidance section). Remove the screw on the side to remove the mounting plate.</p>	
<p>2. Ensure the power is OFF from the AC main breaker panel. Wire the fixture according to the wiring diagram (see Wiring Diagram section), then push all of the wiring into the junction box.</p> <p>If external dimming is not required, leave the dimming caps in place.</p>	
<p>3. Screw the fixture on the 3/4" conduit post (not provided) until securely in place.</p>	



Wiring Diagram

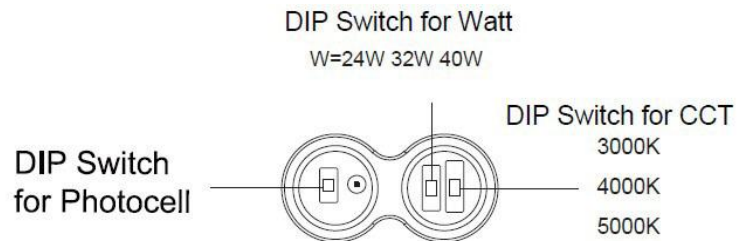
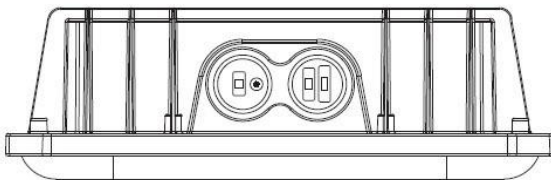


CCT, Wattage, Photocell Selection Guidance

NOTICE:

- Ensure AC main power is OFF before making adjustments, then remove the plugs.
- Move the DIP switches up or down to the desired printed setting next to each switch.
- Reinsert plug, ensuring a tight fit for waterproofing purposes.

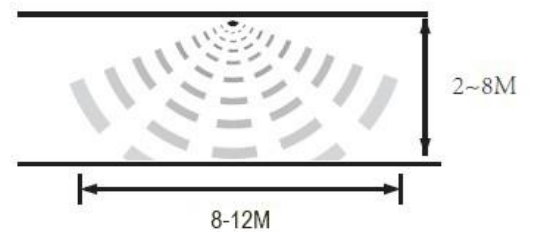
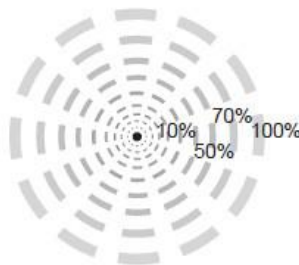
Default Settings: 5000K, MaxPower, Photocell ON



Motion Sensor

Optional Remote Control – PLT-13701

1. Brightness: 100%
2. Hold Time: 15 Minutes
3. Standby Dimming: 50%
4. Standby Hold Time: Infinity
5. Sensitivity: 100%
6. Daylight Sensing: Disabled
7. Detection Range: 8-12 Meters
8. Installation Height: 2-8 Meters





⚠ WARNING

- Before installing, servicing, or performing routine maintenance upon this equipment, follow these general precautions.
- To reduce the risk of death, personal injury, or property damage from fire, electric shock, falling parts, cuts/abrasions, and other hazards, read all warnings and instructions included with and on the fixture box and all fixture labels.
- Proper grounding is required to ensure safety.
- Power must be turned off at the breaker before installation or maintenance.
- This product must be installed in accordance with the applicable installation code by a person familiar with the construction and operation of the product and the hazards involved.
- Wear gloves and eye protection at all times while installing, servicing, or performing maintenance on the luminaire, and avoid direct eye exposure to the light source while it is on.
- To prevent wiring damage or abrasion, do not expose wiring to edges of sheet metal or other sharp objects.
- Do not install damaged product. Inspect luminaire for damage that may have occurred during transit. If damaged, contact the manufacturer immediately.
- These instructions do not purport to cover all details or variations in equipment nor to provide every possible contingency to meet in connection with installation, operation, or maintenance. Should further information be desired or should particular problems arise which are not covered sufficiently for the purchaser's or owner's purposes, contact the manufacturer.

⚠ ADVERTENCIA

- Antes de instalar, reparar o realizar el mantenimiento de rutina de este equipo, siga estas precauciones generales.
- Para reducir el riesgo de muerte, lesiones personales o daños a la propiedad por fuego, descarga eléctrica, caída de piezas, cortes / abrasiones y otros peligros, lea todas las advertencias y instrucciones incluidas con y en la caja del dispositivo y todas las etiquetas del dispositivo.
- Se requiere una conexión a tierra adecuada para garantizar la seguridad.
- Se debe apagar la energía en el disyuntor antes de la instalación o el mantenimiento.
- Este producto debe ser instalado de acuerdo con el código de instalación aplicable por una persona familiarizada con la construcción y operación del producto y los peligros involucrados.
- Utilice guantes y protección para los ojos en todo momento durante la instalación, el servicio o el mantenimiento de la luminaria, y evite la exposición directa de los ojos a la fuente de luz mientras está encendida.
- Para evitar daños o abrasiones en el cableado, no exponga el cableado a bordes de láminas de metal u otros objetos afilados.
- No instale un producto dañado. Inspeccione la luminaria en busca de daños que puedan haber ocurrido durante el tránsito. Si está dañado, comuníquese con el fabricante de inmediato.
- Estas instrucciones no pretenden cubrir todos los detalles o variaciones en el equipo ni proporcionar todas las posibles contingencias a cumplir en relación con la instalación, operación o mantenimiento. Si desea obtener más información o si surgen problemas particulares que no están suficientemente cubiertos para los propósitos del comprador o propietario, comuníquese con el fabricante.