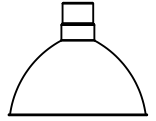




SPS-0453 REV F

WILCOX INTEGRATED LED SERIES

JOB NAME: _____ FIXTURE TYPE: _____



BLE - _____ - _____ - _____ - _____ - _____ - _____ - _____ - _____ - _____

A B C D E F G

_____ - _____ - _____ - _____ - _____ - _____ - _____ - _____ - _____

H I J K L M

Order Example: BLE - C - DBW16 - 455 - CRZ - 12FT - 455 - NA - ACR - 455 - NA - LED16 - 2700K - DL

A - MOUNTING STYLE

C	Cord Hung
CN	Chain Hung
F	Flush Mount ¹
G	Gooseneck
S	Stem Mount

B - SHADE SIZE**WILCOX:**

DBW8	8" Shade ¹
DBW10	10" Shade
DBW12	12" Shade
DBW14	14" Shade
DBW16	16" Shade ²
DBW20	20" Shade ³

C - SHADE FINISH**PORCELAIN FINISHES⁴:**

150	Black
250	White
350	Vintage Green
355	Jadite
455	Cherry Red
550	Yellow
650	Bronze
750	Cobalt Blue
765	Delphite Blue
850	Graphite
950	Metallic Chrome

POWDER COAT FINISHES⁵:

100	Black
105	Textured Black
106	Matte Black
200	White
206	Matte White
300	Dark Green
307	Emerald Green
311	Jadite
370	Mint
380	Chartreuse
390	Teal
400	Barn Red
420	Orange
470	Watermelon
480	Blush Pink
490	Magenta
495	Sherbet Orange
500	Buttery Yellow
570	Sunflower

C - SHADE FINISH (CONTINUED)**POWDER COAT FINISHES⁵:**

600	Bronze
601	Chocolate
605	Rust
615	Oil-Rubbed Bronze
700	Royal Blue
705	Navy
710	Cobalt Blue
715	Delphite Blue
790	Lavender
800	Industrial Grey
805	Charcoal Granite
810	Graphite
975	Galvanized

NATURAL METALS⁶:

995	Raw Copper
996	Weathered Copper
997	Raw Brass
998	Weathered Brass
999	Oil-Rubbed Copper

D - MOUNTINGPlease Note: If Flush Mount [F] is selected in **Section A**, please select **NA**

NA	Not Applicable
-----------	----------------

CSA LISTED CORDS:

SBK	Standard Black
SWH	Standard White
CSB	Black Cloth
CSW	White Cloth
CMG	Grey Cloth
CSR	Red Cloth
CRZ	Red Chevron Cloth
CSBB	Black & Brown Cloth
CSRW	Red & White Cloth
CSGW	Gold & White Cloth
CSBG	Black & Gold Cloth
CSBW	Black & White Cloth
CSBP	Black & Pink Cloth
CSUW	Blue & White Cloth

CHAIN MOUNT OPTIONS³:

CN36	3' of Chain
CN48	4' of Chain
CN60	5' of Chain
CN72	6' of Chain

D - MOUNTING (CONTINUED)**GOOSENECK OPTIONS:**

G1³	G8	G15	G32
G2³	G9	G16³	G34³
G3^{3,7}	G10	G17	G35³
G4⁷	G11³	G22	G36³
G5³	G12³	G24	G64³
G6	G13	G25	G65³
G7	G14	G26³	

STEM MOUNT OPTIONS:

ST506	.5" Stem Mount, 6" ³
ST512	.5" Stem Mount, 12" ³
ST518	.5" Stem Mount, 18" ³
ST524	.5" Stem Mount, 24" ³
ST536	.5" Stem Mount, 36" ³
ST548	.5" Stem Mount, 48" ³
ST706	.75" Stem Mount, 6"
ST712	.75" Stem Mount, 12"
ST718	.75" Stem Mount, 18"
ST724	.75" Stem Mount, 24"
ST736	.75" Stem Mount, 36"
ST748	.75" Stem Mount, 48"

E - CORD LENGTH⁸

NA	Not Applicable
7FT	7' of Cord
12FT	12' of Cord
20FT	20' of Cord

F - MOUNTING FINISH

Please Note: See **Section C** for Finish Options. 980-Brushed Aluminum is also available for Gooseneck (Not Available with G36, G64 & G65) and Stem mounting styles. If a Porcelain shade finish is selected, mounting will be powder coat painted-to-match. Porcelain shade finishes are not available with a Natural Metal mounting finish

(I) If Cord Hung [C], selection identifies canopy finish

(II) If Chain Hung [CN] Mounting Style, selection identifies chain and canopy finish. Natural Metals are not applicable

(III) If Stem Mount [S] Mounting Style, selection identifies stem and canopy finish

(IV) If Flush Mount [F] Mounting Style, selection identifies hex coupler and canopy finish. Natural Metals are not applicable

980	Brushed Aluminum
------------	------------------

G - CORDS⁹Please Note: See **Section D** for all applicable CSA Listed Cord Options

NA	Not Applicable
-----------	----------------

H - SHADE ACCESSORIES³

NA	None
WC	Wire Cage
ACR	Acrylic Diffuser ^{10,11}

I - SHADE ACCESSORY FINISH

Please Note: See **Section C** for Finish Options. Natural Metals not applicable. If Porcelain Finish is selected, accessory will be powder coat painted-to-match

NA	Not Applicable
-----------	----------------

J - MOUNTING ACCESSORY

Please Note: Mounting Accessories below are only applicable with select Mounting Styles. Please refer to product listings on our website for further detail

NA	None/Not Applicable
HSC	Hang Straight Canopy ^{3,12}
LDBPC	LED Decorative Backing Plate Cover ^{13,14}
LDCHX	LED Decorative Backing Plate Cover & Hex Cover ^{13,14}

K - LIGHT SOURCE

LED11	850 Lumen
LED16	1250 Lumen
LED27	2000 Lumen ¹⁵
LED38	3000 Lumen ¹⁵
LED43	4000 Lumen ^{1,15}

L - COLOR TEMPERATURE

2700K	2700K, Warm White
3000K	3000K, Neutral White
3500K	3500K, Bright White
4000K	4000K, Cool White

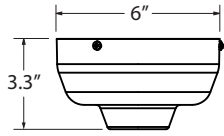
M - LED LENS

DL	Domed Lens
FL	Flat Lens

IMPORTANT: (1) Not available with Acrylic Diffuser shade accessory (2) Not available in Brass (3) Not available in Natural Metals (4) All Porcelain Enamel finished shades feature a white interior and a black outer rim (5) All Powder Coat finished shades, Galvanized excluded, feature a white interior (6) Natural Metals have a longer estimated manufacturing time, please check the website for exact lead time. There are no returns accepted on Natural Metals (7) Not compatible with 16" shade size or larger (8) Only applicable if Cord Hung Mounting Style is selected in Section A, select NA if another Mounting Style is selected in Section A (9) Only applicable if Chain Hung Mounting Style selected in Section A, select NA if another Mounting Style is selected (10) Acrylic Diffuser limits the maximum lumens delivered and LPW. Selection Limits: 1250 Max for 8" and 10" shades; 2000 Max for 12" and 14" shades; 3000 Max for 16" and 20" shades (11) Fixture is CSA listed for Damp Locations with Acrylic Diffuser (12) Only applicable if Stem Mounting Style is selected in Section A (13) Only available if Gooseneck Mounting Style is selected in Section A (14) Not available with G3, G4, G11, G15, & G26 Gooseneck option (15) Not applicable if DBW8 or DBW10 is selected in section B

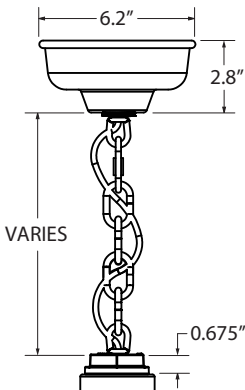
MOUNTING STYLE

HIGH LUMEN CANOPY FOR PENDANT & FLUSH MOUNT



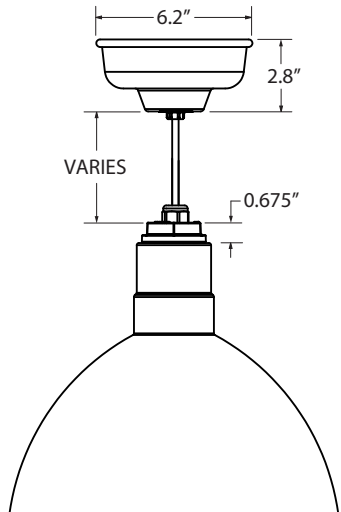
Required if LED 27, 38, 43 Light Source selected in Section K

CHAIN HUNG PENDANT (CN)



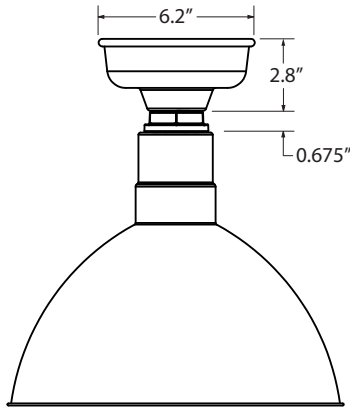
Canopy shown required if LED 11 & 16 Light Source selected in Section K

CORD HUNG PENDANT (C)



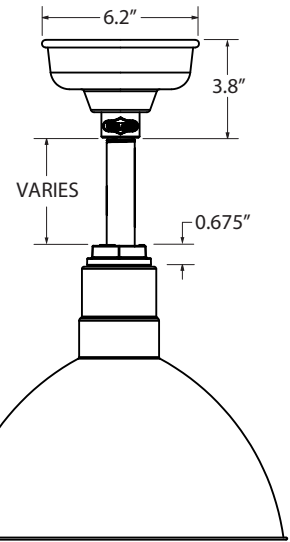
Canopy shown required if LED 11 & 16 Light Source selected in Section K

FLUSH MOUNT (F)



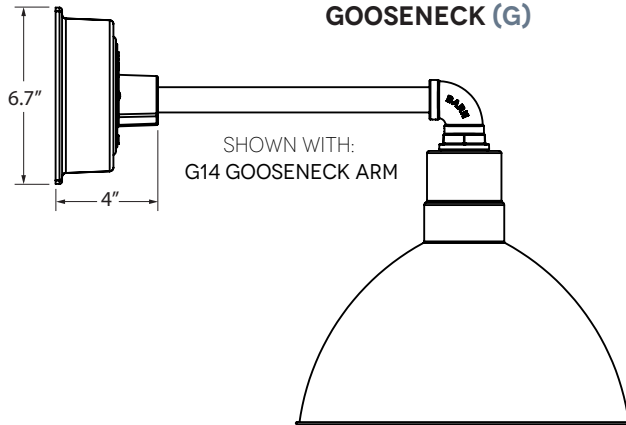
Canopy shown required if LED 11 & 16 Light Source selected in Section K

STEM MOUNT PENDANT (S)

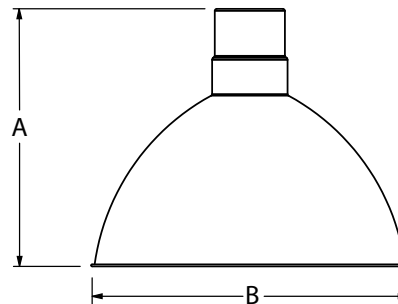


Canopy shown required if LED 11 & 16 Light Source selected in Section K

GOOSENECK (G)



LUMINAIRE DIMENSIONS



SHADE CODE	HEIGHT (A)	DIAMETER (B)	EXTENSION (C)
DBW8	8.25"	8"	4.3"
DBW10	9"	10"	3.6"
DBW12	9.75"	12"	2.8"
DBW14	11.25"	14"	1.3"
DBW16	12.75"	16"	N/A
DBW20	16.25"	20"	N/A

SPECIFICATIONS

CERTIFICATIONS, LISTINGS & WARRANTY

MADE IN THE USA
 Manufactured and Hand-Crafted in Our 60,000 Square Foot Facility
 Located in Titusville, FL

CSA LISTED FOR WET LOCATIONS
 Includes All Gooseneck, Stem and Flush Mounting Styles
 ACR is CSA Listed for Damp Locations for Gooseneck and Stem
 Mounting Styles

CSA LISTED FOR DAMP LOCATIONS
 Includes All Chain and Cord Hung Mounting Styles
 ACR is CSA Listed for Damp Locations

LIMITED WARRANTY
 For Additional Information on Our Limited Warranty, Please See
 Our Terms & Conditions

CONSTRUCTION & FINISH

POWDER COAT SHADE
 Hand-Spun from High Purity 3003-O Temper Aluminum

GALVANIZED SHADE
 Hand Spun from High Quality Galvanized Steel or from High Purity
 3003-O Temper Aluminum for 20" Size Shades

PORCELAIN SHADE
 Hand-Spun from 20 Gauge Porcelain Steel

POWDER COAT FINISHES
 Polyester Powder Coat Finishes Are Electro-Statically Applied and
 Thermocured

PORCELAIN FINISHES
 Applied by Hand and Fired in a High Temperature Oven

COPPER
 Hand-Spun from High Purity C11000-O60 ETP Copper

BRASS
 Hand-Spun from High Purity C2600-O60 Brass

STEM
 1/2" Nominal (0.84" Actual) or 3/4" Nominal (1.05" Actual) Sch 40,
 6063 Aluminum Mounting Stem. Custom Lengths Available upon
 Request

GOOSENECK
 1/2" Nominal (0.84" Actual) or 3/4" Nominal (1.05" Actual) Sch 40,
 6063 Aluminum Gooseneck

CORD
 Cord Hung Pendants Include 7', 12' or 20' of Cord (Overall Cord
 Length is Measured from Base of Socket and Varies Based on
 Fixture)

CHAIN
 4-Gauge Chain Complete with Quick Link for On-Site Adjustments
 to Chain's Length

LED LIGHT SOURCE

AVAILABLE CCT: 2700K, 3000K, 3500K, 4000K
 90+ CRI

ELECTRICAL/LED DRIVER

POWER FACTOR > 0.9
 EFFICIENCY: UP TO 87% TYPICAL
 INPUT VOLTAGE: 120-277 VAC (SEE DIMMING SECTION)
 CLASS 2 POWER SUPPLY
 LED DRIVER LIFETIME: > 100,000 HOURS (@ 25 DEG C AMBIENT)
 IP64 MINIMUM RATING CASE WITH SILICONE-BASED POTTING

PROTECTIONS
 Output Open Load, Over-Current and Short-Circuit (hiccup), and
 Over-Temperature with Auto Recovery

CONDUCTED AND RADIATED EMI
 Compliant with FCC CFR Title 47 Part 15 Class B (120 Vac), Class A
 (277 Vac) and EN55015 (CISPR 15) at 220, 230 and 240 Vac

COMPLIANT WITH
 Complies with Energy Star® DLR (DesignLight Consortium®) and CA
 Title 24 Technical Requirements

DIMMING

TRI-MODE DIMMING™
 Compatible with TRIAC (forward-phase or leading-edge), ELV
 (reverse-phase or trailing-edge) and 0-10 V Dimmers

DIMMING RANGE 1-100%
 The Dimming Range Is Dependent on Each Specific Dimmer. May
 Not Be Able to Achieve 1% Dimming with Some Dimmers.

TRIAC AND ELV DIMMING ONLY AT 120 VAC

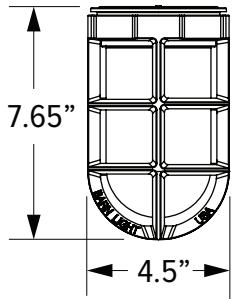
ELV DIMMING AT 230 VAC
 Available by Request

COMPATIBLE DIMMERS
 Consult Factory for Additional Information on Dimming

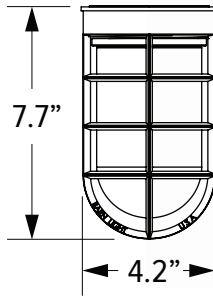


Different accessories completely alter the look and feel of a light. By selecting a durable cast guard and glass or a rugged wire cage, our lights take on a trendy industrial character. Not only are these accessories stylish, but they also protect the bulb in commercial or industrial settings!

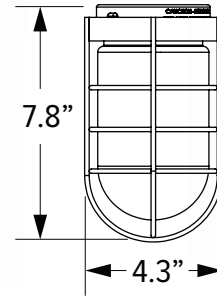
GUARD OPTIONS



TGG Heavy Duty Cast Guard



CGG Standard Cast Guard



WGG Wire Guard



GLASS OPTIONS

Not Applicable with Halogen Lights



CLR
Clear



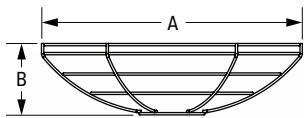
FST
Frosted



RIB
Ribbed

WIRE CAGE

Not Applicable with Guard and Glass or Select Shade Styles



WC Wire Cage

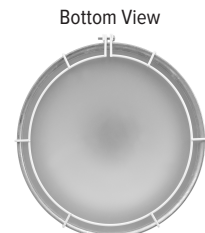
DIAMETER (A)	HEIGHT (B)
8"	2.7"
10"	2.9"
11"	3.2"
12"	3.4"
13"	3.7"
14"	3.9"
15"	4.2"
16"	4.4"
17"	4.7"
18"	4.9"
20"	5"

ACRYLIC DIFFUSER

Not Applicable with Guard and Glass, GU24 Sockets, or Select Shade Styles



Shade Not Included



ACR Acrylic Diffuser

*Please contact Barn Light Electric with any questions regarding applicable shade sizes and light sources.