

LED ECB100W-1150



Part #: ECB/M/100W/15000/360D/50K/E39/D Class: LED Corn Bulb

Product Description

LED ECB100W-1150 delivers superior brightness, valuable energy savings and long lasting performance. This LED Corn Bulb is ideal for task lighting due to its uniform *Stark White light (5000K). Enjoy features such as: instant on, shatter resistance, and mercury free.



Estimated Energy Cost: \$12.04 per year

*Note: Design, features and specifications subject to change without notice. Some features may not be available on all models.



Specifications

Input Power	Input Voltage	Lumen Output	Beam Angle	Center Beam	CCT
100 W	AC100-277V	15,000 lm	360°	NA cd	5000 K
CRI	Luminous Efficacy	Power Factor	Input Current	Base/Cap	Lamp Lifespan
80	150 lm/W	0.9	0.1 A	E39	50,000 Hrs.

Product Features



Non-Dimmable



Instant-On/Off

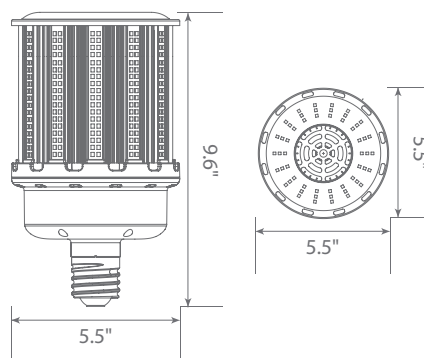


Mercury Free

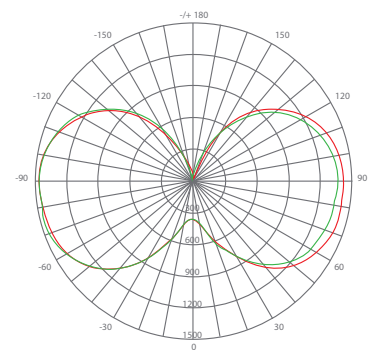


Damp Rated

Product Dimensions



Product Photometric Data



UNIT: cd
— C0/180, 55.7, 58.3
— C90/270, 54.7, 56.4