



6" LED FIRE RATED RECESSED DOWNLIGHT



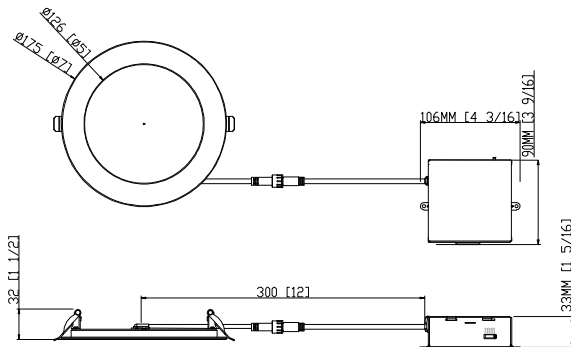
2 HOUR FIRE RATING
Tested to comply with UL 263,
ASTM E119 & CAN ULC S101

FEATURES

- 2-Hour fire rating providing a reinforced and heat resistant steel casing
- Selectable color temperature: 27K, 3K, 35K, 4K & 5K
- Junction box with commercial grade driver included
- Triac Dimmable, Certified airtight, IC rated
- Easy installation - NO ADDITIONAL BOX REQUIRED



DIMENSION



INSTALLATION



SPECIFICATIONS	
Model	PLT-12994
Watts	14W
Light Output(lm)	1142lm***
Size	6in
Default Driver Input	AC120V,60HZ
Color Temperature(K)	5-color field selectable CCT - 2700K, 3000K, 3500K, 4000K, 5000K
CRI	90Ra (80Ra Optional*)
Dimming	Triac Dimming
Power Factor	>0.9
Approved Location	Wet Location
Air Tight	Yes
Operating Temp.	(-4°F~104°F) -20~40°C
Beam Angle	120°

PACKAGE	
Weight.(g)	366g
Qty/CTN (pcs)	18pcs/CTN
Box Dimension	555*375*190mm
Gross Weight	8.78kg/CTN

*80 CRI version - NPS-00148 Special Order item, call 1-800-624-4488.

**Special Order items. Call 1-800-624-4488.

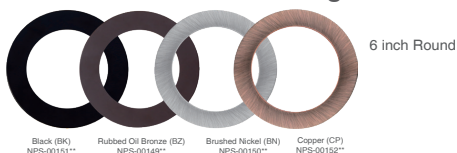
***See Selectable Table on page 2 for full breakdown.

Accessories

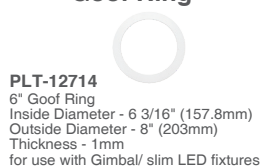
Extension Cables

- NPS-00116****
4ft flexible connector, for use with Gimbal/ slim LED fixtures
- NPS-00117****
6ft flexible connector, for use with Gimbal/ slim LED fixtures
- NPS-00118****
10ft flexible connector, for use with Gimbal/ slim LED fixtures
- NPS-00119****
20ft flexible connector, for use with Gimbal/ slim LED fixtures

Decorative Trim Ring



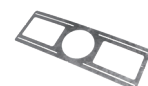
Goof Ring



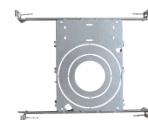
Mounting Plates



NPS-00131**
6" new construction pre-mounting plate Ø6-1/4"(159mm)



NPS-00132**
6" new construction pre-mounting plate Ø6-1/4"(159mm)



PLT-12987
3/4"/6" new construction pre-mounting plate opening Ø3"(75mm), Ø4-3/8"(110mm), Ø6-1/4"(160mm)



6" LED FIRE RATED RECESSED DOWNLIGHT

FEATURES

Wattage	CCT	Lumens	LPW
14W	2700K	1039	74
	3000K	1081	77
	3500K	1132	81
	4000K	1142	82
	5000K	1115	80