



## 2 FT. TYPE A LED T5 TUBE

### WARNING, CAUTION, SAFETY AND INSTALLATION INSTRUCTIONS

#### WARNING

- Installation, service, and maintenance of luminaires should be performed by a qualified licensed electrician.
- If the lamp or luminaire exhibits undesirable operation (buzzing, flickering, etc.), immediately turn off the power, remove the lamp from the luminaire, and contact the manufacturer.

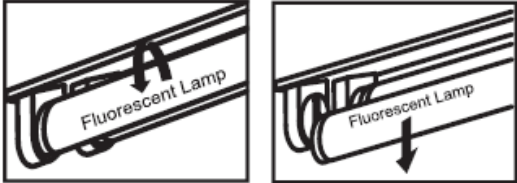
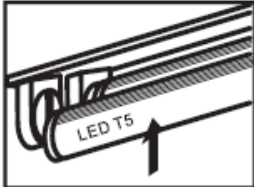
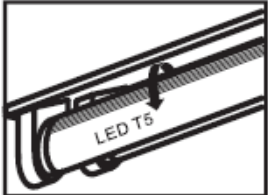
#### CAUTION

- Suitable for damp locations.
- Do not install this lamp in a pre-heat luminaire.
- Not suitable for enclosed fixtures.
- Not for emergency lighting.
- Do not use if outer lamp envelope is damaged or broken.
- This lamp only operates on electronic ballasts. If the lamp does not light when the luminaire is turned on, remove the lamp from the fixture and contact the lamp manufacturer or a qualified electrician.
- Risk of fire. Use only in place of fluorescent lamps specified on the label.
- LED T5 lamp for use only with products described and installed in accordance with the product specifications. This lamp is to be operated with a fluorescent electronic ballast.

#### NOTICE

- Do not clean the lamp with corrosive chemicals.

#### Installation Instructions

<ol style="list-style-type: none"><li>1. Make sure that power is OFF.</li><li>2. Remove the lens or diffuser (if applicable).</li><li>3. Remove the existing fluorescent lamps from the luminaire.</li></ol> 	<ol style="list-style-type: none"><li>4. Place LED lamp in the luminaire and insert lamp pin into the luminaire lamp holders.</li></ol> 
<ol style="list-style-type: none"><li>5. Rotate LED lamp until it locks into place. Ensure that the LED lamp front points away from the back of the luminaire.</li></ol> <p><b>NOTE:</b> Install one LED T5 replacement lamp for each fluorescent lamp removed.</p> 	<ol style="list-style-type: none"><li>6. Put lens or diffuser back into place (if applicable).</li><li>7. Turn power ON.</li></ol>

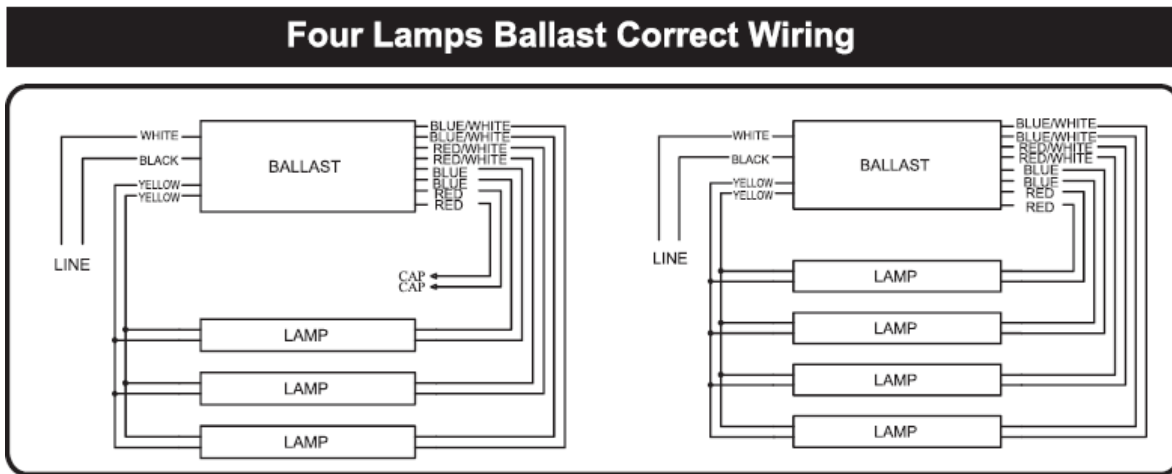
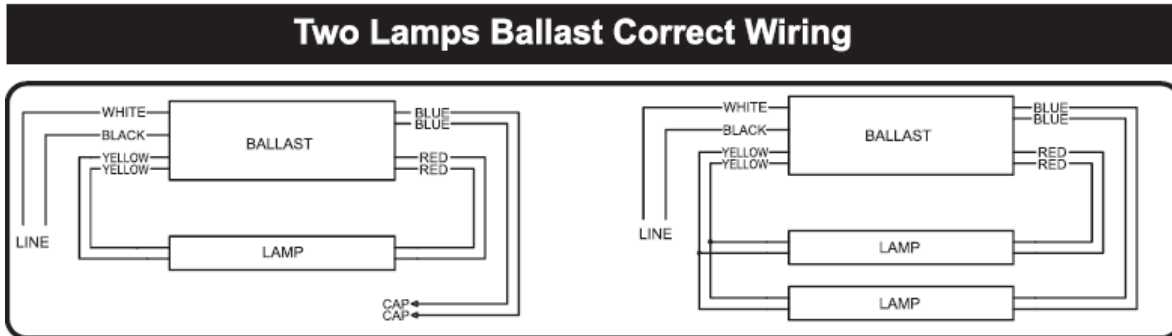


# 2 FT. TYPE A LED T5 TUBE

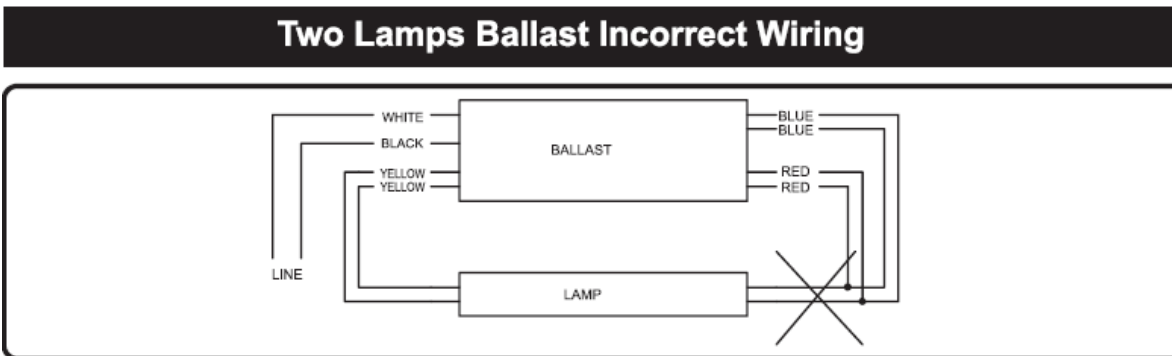
## WARNING, CAUTION, SAFETY AND INSTALLATION INSTRUCTIONS

### Wiring Diagrams

#### Program Start Ballast Wiring Diagram – CORRECT



#### Program Start Ballast Wiring Diagram – INCORRECT

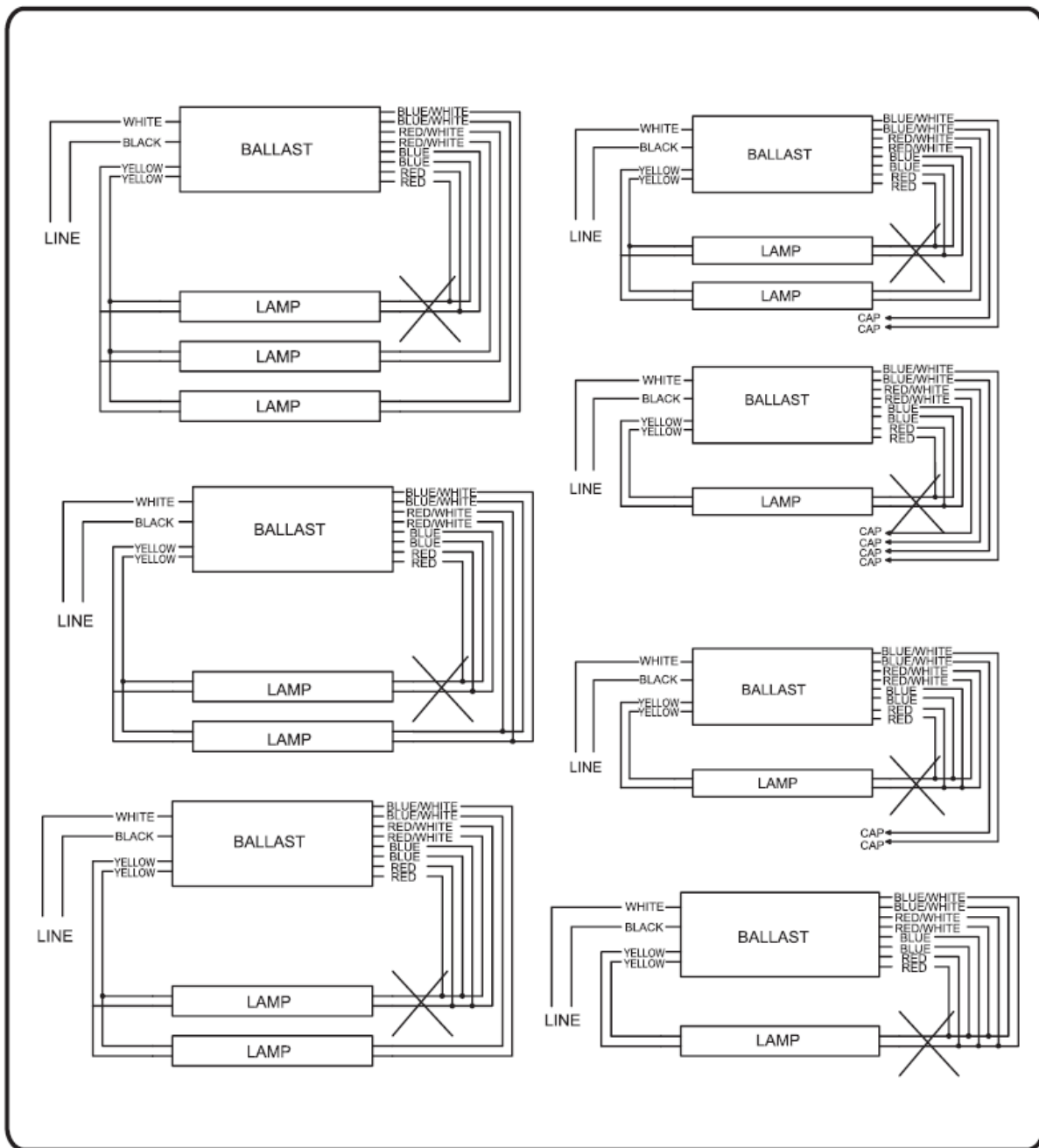




## 2 FT. TYPE A LED T5 TUBE

### WARNING, CAUTION, SAFETY AND INSTALLATION INSTRUCTIONS

#### Four Lamps Ballast Incorrect Wiring



#### FCC Warning

- This device complies with Part 15 of the FCC rules. Operation is subject to the following two conditions: (1) this device may not cause harmful interference, and (2) this device must accept any interference received, including interference that may cause undesired operation.



#### **⚠ WARNING**

- Before installing, servicing, or performing routine maintenance upon this equipment, follow these general precautions.
- To reduce the risk of death, personal injury, or property damage from fire, electric shock, falling parts, cuts/abrasions, and other hazards, read all warnings and instructions included with and on the fixture box and all fixture labels.
- Proper grounding is required to ensure safety.
- Power must be turned off at the breaker before installation or maintenance.
- This product must be installed in accordance with the applicable installation code by a person familiar with the construction and operation of the product and the hazards involved.
- Wear gloves and eye protection at all times while installing, servicing, or performing maintenance on the luminaire, and avoid direct eye exposure to the light source while it is on.
- To prevent wiring damage or abrasion, do not expose wiring to edges of sheet metal or other sharp objects.
- Do not install damaged product. Inspect luminaire for damage that may have occurred during transit. If damaged, contact the manufacturer immediately.
- These instructions do not purport to cover all details or variations in equipment nor to provide every possible contingency to meet in connection with installation, operation, or maintenance. Should further information be desired or should particular problems arise which are not covered sufficiently for the purchaser's or owner's purposes, contact the manufacturer.

#### **⚠ ADVERTENCIA**

- Antes de instalar, reparar o realizar el mantenimiento de rutina de este equipo, siga estas precauciones generales.
- Para reducir el riesgo de muerte, lesiones personales o daños a la propiedad por fuego, descarga eléctrica, caída de piezas, cortes / abrasiones y otros peligros, lea todas las advertencias y instrucciones incluidas con y en la caja del dispositivo y todas las etiquetas del dispositivo.
- Se requiere una conexión a tierra adecuada para garantizar la seguridad.
- Se debe apagar la energía en el disyuntor antes de la instalación o el mantenimiento.
- Este producto debe ser instalado de acuerdo con el código de instalación aplicable por una persona familiarizada con la construcción y operación del producto y los peligros involucrados.
- Utilice guantes y protección para los ojos en todo momento durante la instalación, el servicio o el mantenimiento de la luminaria, y evite la exposición directa de los ojos a la fuente de luz mientras está encendida.
- Para evitar daños o abrasiones en el cableado, no exponga el cableado a bordes de láminas de metal u otros objetos afilados.
- No instale un producto dañado. Inspeccione la luminaria en busca de daños que puedan haber ocurrido durante el tránsito. Si está dañado, comuníquese con el fabricante de inmediato.
- Estas instrucciones no pretenden cubrir todos los detalles o variaciones en el equipo ni proporcionar todas las posibles contingencias a cumplir en relación con la instalación, operación o mantenimiento. Si desea obtener más información o si surgen problemas particulares que no están suficientemente cubiertos para los propósitos del comprador o propietario, comuníquese con el fabricante.