



COLOR/WATTAGE SELECTABLE LED PANEL FIXTURE

WARNING, CAUTION, SAFETY AND INSTALLATION INSTRUCTIONS

WARNING

- Installation, service, and maintenance of luminaries should be performed by a qualified licensed electrician.

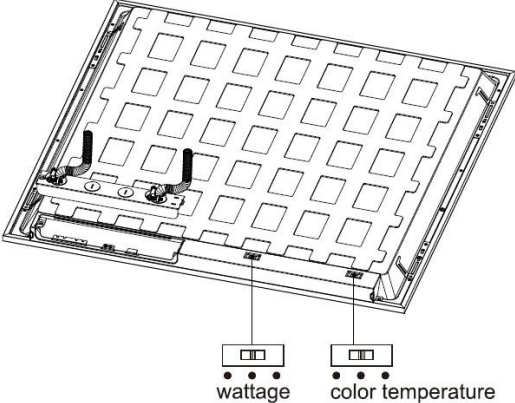
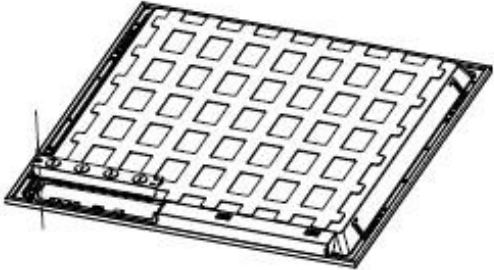
CAUTION

- Before installation, confirm that the dimensions for the fixture and ceiling opening match, and that the ceiling can support the weight of the fixture.
- The fixture must be fully recessed into the ceiling. The adjustment space cannot be more than 1/8" (33mm) or the fixture will fall.
- "Class 1 wiring" for dimming wire.
- Not suitable for use in wet locations.
- Do not make or alter any open hole in the wiring enclosure or electrical components during installation.
- All connections should be capped with UL approved wire connectors.

NOTICE

- Use a dry cloth when cleaning the fixture.

Installation Instructions

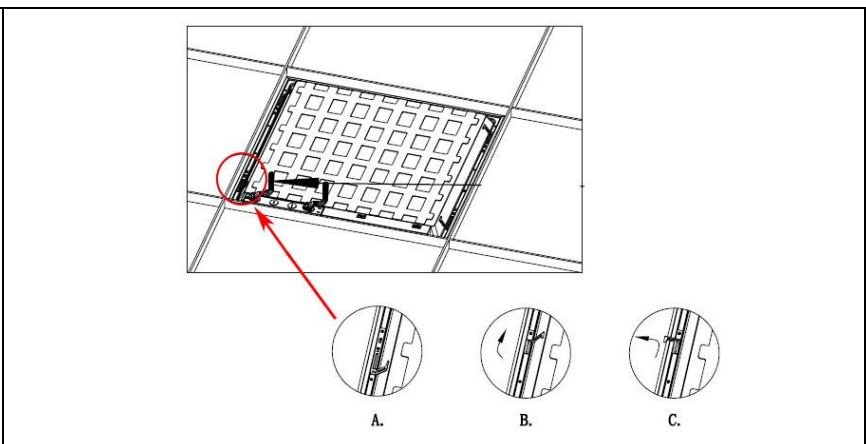
<p>1. The wattage and color temperature can be adjusted using the two DIP switches located on the driver. Changes should be made prior to powering the fixture on. Each dip switch has 3 options (left, middle, right), corresponding to 3 color temperatures and 3 wattages.</p> <p>Default Settings: PLT-50422 – 50W, 5000K PLT-50423 – 40W, 5000K PLT-50424 – 40W, 5000K</p>	
<p>2. Unscrew and remove the driver cover. Carefully remove knockouts for the AC line input in preparation for the insertion of the electrical conduits through a knockout hole (Conduit Size: .87").</p>	



COLOR/WATTAGE SELECTABLE LED PANEL FIXTURE

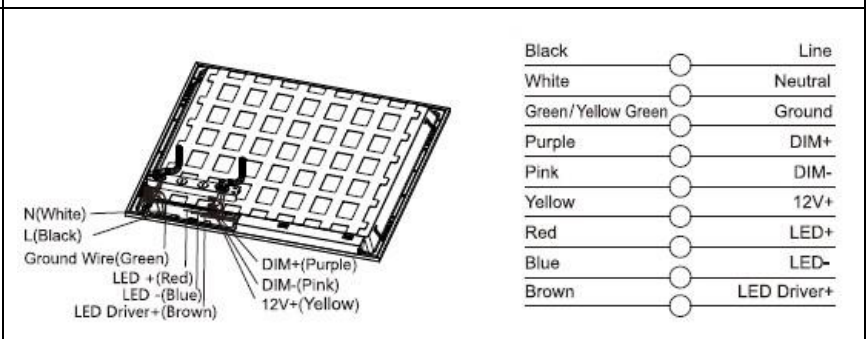
WARNING, CAUTION, SAFETY AND INSTALLATION INSTRUCTIONS

3. Use the four mounting hooks to hold the fixture in place. See diagrams A, B, and C.

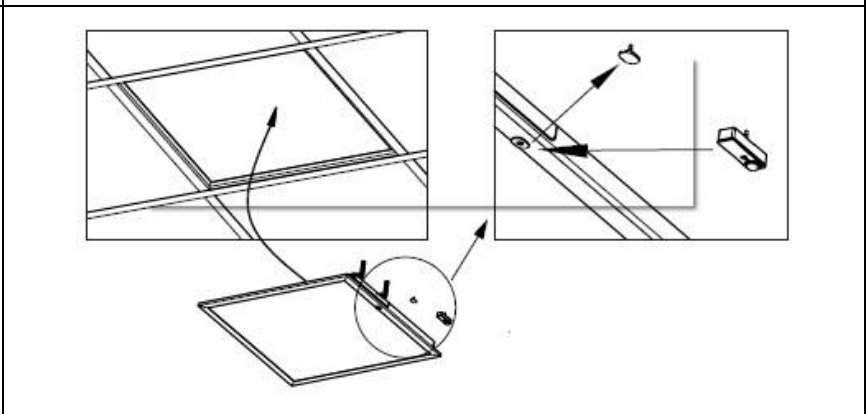


4. Insert the electrical conduit through the knockout hole of the driver cover, then connect the wires according to the wiring diagram. Re-secure the driver cover.

Note: Dimming conductors have been wired to the sensor receptacle base.



5. If using optional PIR sensor (PLT-50425, sold separately), remove the sensor base cover and insert the sensor into the port.



FCC Warning

- This device complies with Part 15 of the FCC rules. Operation is subject to the following two conditions: (1) this device may not cause harmful interference, and (2) this device must accept any interference received, including interference that may cause undesired operation.

⚠ WARNING

- Before installing, servicing, or performing routine maintenance upon this equipment, follow these general precautions.



COLOR/WATTAGE SELECTABLE LED PANEL FIXTURE

WARNING, CAUTION, SAFETY AND INSTALLATION INSTRUCTIONS

- To reduce the risk of death, personal injury, or property damage from fire, electric shock, falling parts, cuts/abrasions, and other hazards, read all warnings and instructions included with and on the fixture box and all fixture labels.
- Proper grounding is required to ensure safety.
- Power must be turned off at the breaker before installation or maintenance.
- This product must be installed in accordance with the applicable installation code by a person familiar with the construction and operation of the product and the hazards involved.
- Wear gloves and eye protection at all times while installing, servicing, or performing maintenance on the luminaire, and avoid direct eye exposure to the light source while it is on.
- To prevent wiring damage or abrasion, do not expose wiring to edges of sheet metal or other sharp objects.
- Do not install damaged product. Inspect luminaire for damage that may have occurred during transit. If damaged, contact the manufacturer immediately.
- These instructions do not purport to cover all details or variations in equipment nor to provide every possible contingency to meet in connection with installation, operation, or maintenance. Should further information be desired or should particular problems arise which are not covered sufficiently for the purchaser's or owner's purposes, contact the manufacturer.

⚠ ADVERTENCIA

- Antes de instalar, reparar o realizar el mantenimiento de rutina de este equipo, siga estas precauciones generales.
- Para reducir el riesgo de muerte, lesiones personales o daños a la propiedad por fuego, descarga eléctrica, caída de piezas, cortes / abrasiones y otros peligros, lea todas las advertencias y instrucciones incluidas con y en la caja del dispositivo y todas las etiquetas del dispositivo.
- Se requiere una conexión a tierra adecuada para garantizar la seguridad.
- Se debe apagar la energía en el disyuntor antes de la instalación o el mantenimiento.
- Este producto debe ser instalado de acuerdo con el código de instalación aplicable por una persona familiarizada con la construcción y operación del producto y los peligros involucrados.
- Utilice guantes y protección para los ojos en todo momento durante la instalación, el servicio o el mantenimiento de la luminaria, y evite la exposición directa de los ojos a la fuente de luz mientras está encendida.
- Para evitar daños o abrasiones en el cableado, no exponga el cableado a bordes de láminas de metal u otros objetos afilados.
- No instale un producto dañado. Inspeccione la luminaria en busca de daños que puedan haber ocurrido durante el tránsito. Si está dañado, comuníquese con el fabricante de inmediato.
- Estas instrucciones no pretenden cubrir todos los detalles o variaciones en el equipo ni proporcionar todas las posibles contingencias a cumplir en relación con la instalación, operación o mantenimiento. Si desea obtener más información o si surgen problemas particulares que no están suficientemente cubiertos para los propósitos del comprador o propietario, comuníquese con el fabricante.