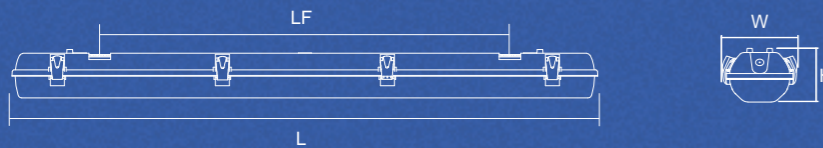
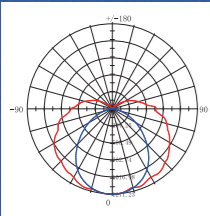
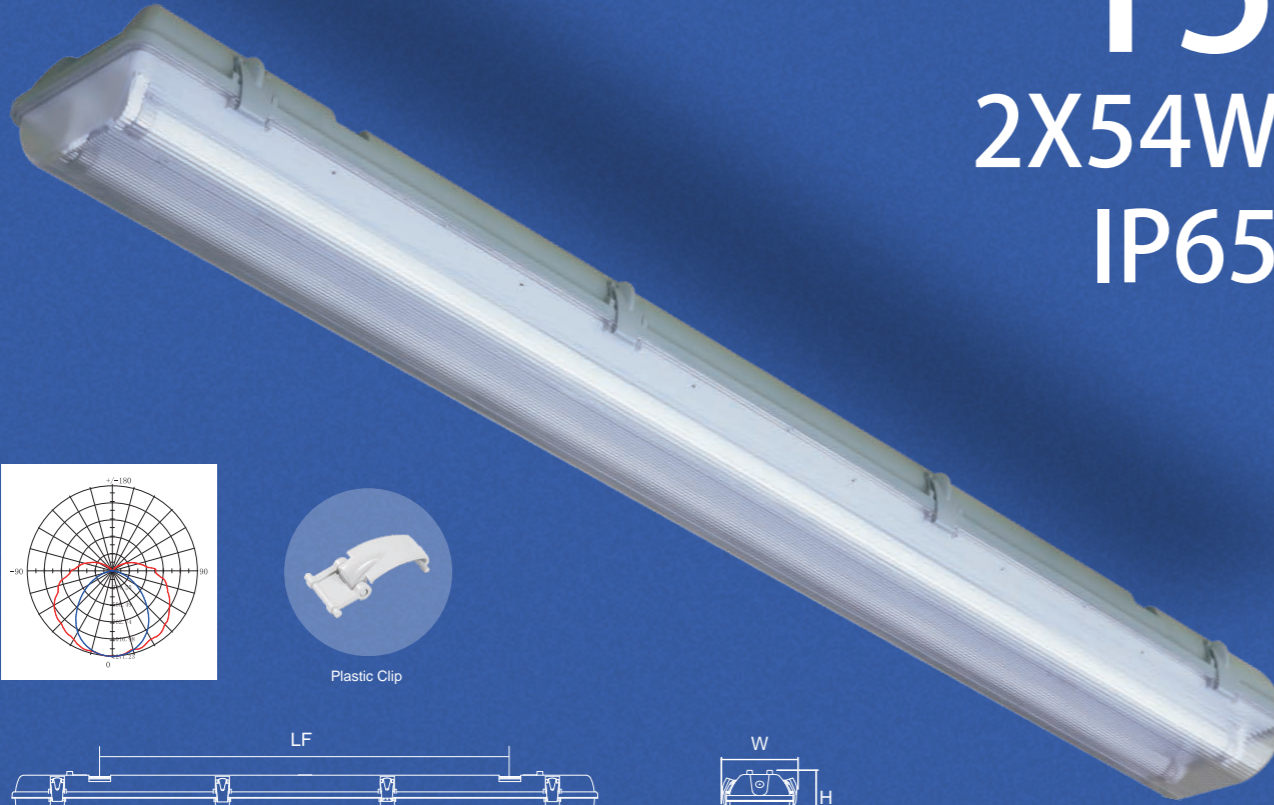




# T5 2X54W IP65



## Features:

**Body:** Injection moulded, opaque UV stabilized polycarbonate body, rectangular shape, waterproof gasket in natural silicon gel, with reinforcing ribs. Secure the gear tray by "U" shape fixed supports, with plastic gear tray holder connected to the body for easy installation and maintenance of the electrical components. Closing clips in polycarbonate or stainless steel, two clips at both ends of one side of the diffuser can have the diffuser suspended once it opened.

**Reflector:** White-coated flat metal plate

**Diffuser:** Injection moulded, transparent UV stabilized polycarbonate diffuser, highly impact resistant, it features averaged 4mm width line and stylish, fine grained frosted front planes.

## Application:

Workshop, warehouse, cold store, parking-lot, food industry, tunnel, bathroom etc.

## Specifications:

- Description:** 2\*54 W T5 IP65 UL Listed Fixture and ballast, tubes not included
- Overall size:** 50.16"x6.38"x4.33"
- Weight:** 7lbs.
- Construction:** Base material: **DOW** 4850 UV stabilized PC
- Lens material: **MAKROLON** 2807 UV stabilized PC
- Reflector: White-coated flat metal plate
- Gear:** Sylvania electronic ballast

Item Number	Lamps	IP Rating	Clip Qty.	Dimensions (inch)				Qty./ctn (PCS)	Packing Size
				L	W	H	LF		
S254WPB	2x54W T5 G5	IP65	4	50.16	6.38	4.33	35	4	51x14x7

