



DESCRIPTION

Improve security lighting around building perimeters by replacing existing metal halide fixtures with these more efficient LED wall packs.

FEATURES

- Full cutoff design aims all light straight down, eliminating light pollution and reducing glare
- Replaces 175W metal halide fixtures
- 0-10V dimming

LISTINGS

- IP65 Rated
- UL Listed for wet locations

PERFORMANCE

- CRI: >80
- CCT: 2200K
- Rated Lifetime L70: 50,000 hours
- BUG: B2-U3-G4

ELECTRICAL

- THD: ≤ 20%
- Power Factor: ≥ 0.9
- Input Voltage: 120-277V
- Surge Protection: 6kV
- Dimmable power supply (0-10V)

THERMAL

- -40°F to 122°F (-40°C to 50°C) operating temperature

CONSTRUCTION

- Die-cast aluminum housing with bronze finish
- Polycarbonate lens

WARRANTY

- 5 year prorated warranty; see pltsolutions.com for warranty details

Project name	Type
Catalog number	
Comments	Voltage
Approved by	Date



APPLICATIONS

- Security Lighting
- Pedestrian Lighting
- Parking Areas

PERFORMANCE SUMMARY

Item #	Watts	Lumens	LPW	CRI	CCT	Lens	Dimming	Voltage	Replaces
PLTS-12310	60	6000	100	>80	2200K	Polycarbonate	0-10V	120-277V	MH175W

DIMENSIONS

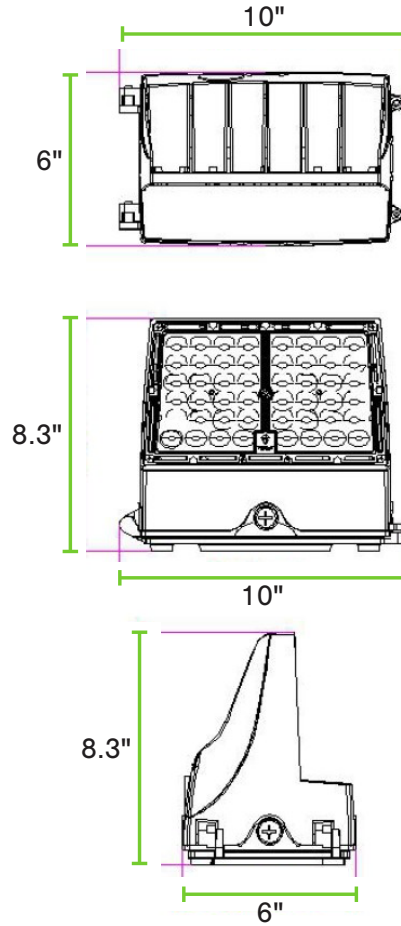
DIMENSIONS

Height – 6"

Width – 10"

Depth – 8.3"

Weight – 5.07 lbs



PHOTOMETRICS

