

DESCRIPTION

Reduce energy and maintenance costs by replacing 50W metal halide bulbs with these more efficient 10W LED corn bulbs.

FEATURES

- Delivers 155 LPW for highly efficient performance
- Universal burn position
- Medium E26 base
- Ballasts, capacitors, and starters must be removed (bypassed) from fixture during installation; see installation instructions for more information

LISTINGS

- UL rated for damp locations
- Rated for use in enclosed fixtures
- FCC Part 15
- IP64
- CE
- RoHS

PERFORMANCE

- CRI: >80
- CCT: 5000K
- LED L70 Life Hours: ≥100,000 hours

THERMAL

- -40°F to 113°F or (-40°C to 45°C) operating temperature

ELECTRICAL

- THD: <20%
- Power Factor: >0.9
- Input Voltage: 120-277V
- Surge Protection: 2kV

WARRANTY

- 1 year limited warranty; see pltsolutions.com for warranty details

project name	type
catalog number	
comments	voltage
approved by	date



APPLICATIONS

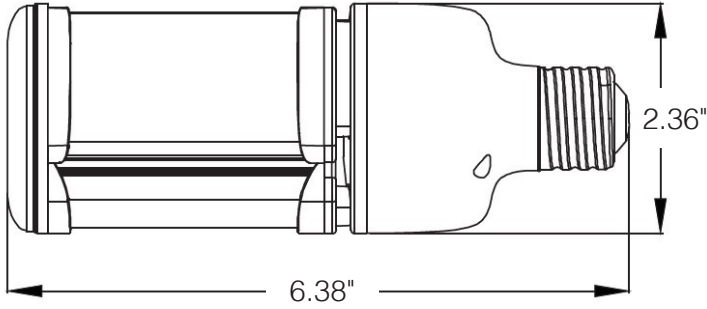
- Warehouses
- Security Lighting
- Post Top Lights

PERFORMANCE	Power Consumption	10 Watt
	Lumens	1550
	Efficacy (LPW)	155
	CRI	>80
	CCT	5000K
	LED L70 Life Hours	≥100,000
	Beam Angle	360 Degree
ELECTRICAL	Burn Position	Universal
	Power Factor	<20%
	THD	>0.9
CONSTRUCTION	Input Voltage	120-277V
	Operating Temperature	-40°F to 113°F or (-40°C to 45°C)
	Base	E26
LISTINGS	Certifications	UL Listed; FCC; CE; IP64
	Material Usage	RoHS - No mercury or lead
	Environment	Enclosed Fixture Rated; Damp Location Rated

PERFORMANCE SUMMARY

Item #	Watts	Lumens	LPW	Voltage	Replaces	CCT	CRI	Beam	LED L70 Life Hours
PLTS-12044	10	1550	155	120-277V	MH50	5000K	>80	360°	≥100,000

DIMENSIONS



DIMENSIONS

Height: 6.38"

Width: 2.36"

PHOTOMETRICS

