



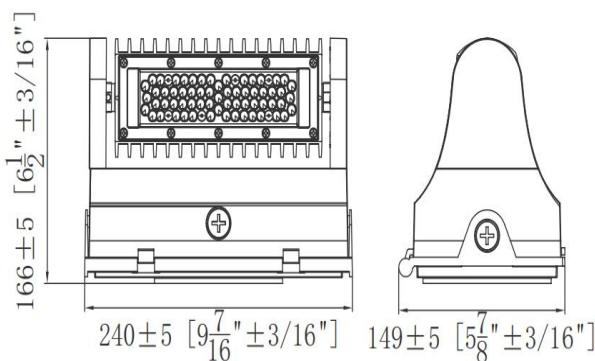
PLT-13163 - 13/19/25W, Up to 3504 Lumens, 30/40/50K, Bronze Finish

- Lens rotates 350°
- DLC 5.1 Premium - PLTSN511112

Wattage	CCT	Lumen	Efficacy
13	3000K	1945	150
	4000K	2060	158
	5000K	2009	155
19	3000K	2668	140
	4000K	2882	152
	5000K	2779	146
25	3000K	3198	128
	4000K	3504	140
	5000K	3351	134



DIMENSIONS



ADVANTAGE

- UL, DLC
- Bridgelux 3030
- IP65 Internal driver.
- Input voltage 100-277VAC.
- Output can be dimmed with 0-10V dimmer.
- Wattage adjustable.
- No UV or IR in the beam.
- Easy to install and operate.
- Energy saving, long lifespan.
- Light is soft and uniform.
- Instant start, NO flickering, NO humming.
- Green and eco-friendly without mercury.

APPLICATION

- ◆ Entrance lighting, courtyard lighting;
- ◆ Industrial lighting, Outdoor landscape lighting;
- ◆ Buildings, Hotels
- ◆ Wall lighting

SPECIFICATIONS

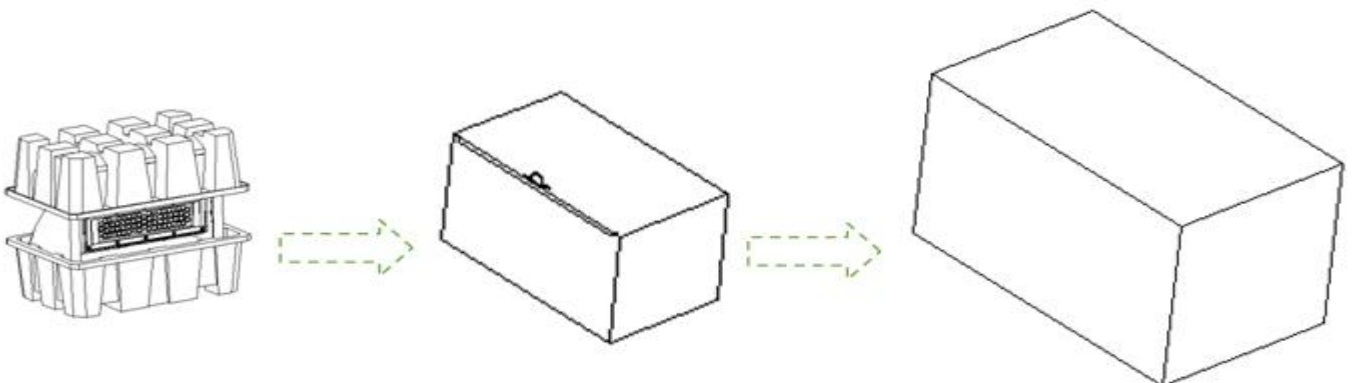
OPTICAL	Input Power (Tolerance : ±10%)	25W (Wattage adjustable 25W/19W/13W)		
	CCT (Color Tunable)	3000K	4000K	5000K
	Lumen (Tolerance :±10%)	3198LM	3504LM	3351LM
	Efficacy (Tolerance :±3%)	128LM/W	140LM/W	134LM/W
	CRI	>70		
	Color Consistency	<7Steps (or <7SDCM)		
	Beam Angle (50%) (Tolerance : ±15%)	60 Degree		
ELECTRICAL	Input Voltage and Frequency	100-277VAC, 50/60Hz		
	PF (Tolerance : -3%)	≥0.9		
	THD (Tolerance : +5%)	≤20%		
	Driver Brand	HBE		
	Driver Model	HB-LPG030-52		
	Driver Surge protection	L-N:2.5KV,L/N-GND:2.5KV		
	Dimming	0-10V dimming standard		
	Sensor Type	Occupancy Sensor*		
Optional Accessory	Surge protector* / Motion Sensor* / PIR* / Photocell* /Auxiliary output 12V/Power selection*			
MATERIALS	LED Brand	Bridgelux		
	LED Type	SMD3030		
	LED QTY	30 PCS(3000K/5000K);60 PCS(4000K)		
	Housing	Die-cast aluminum		
	Housing Color	Bronze, Black*, or Customized*		
	Waterproof Rating	WET (IP65)		
OTHERS	Operating Temperature	Without Motion Sensor: -40°C TO 45°C; With Motion Sensor: -30°C TO 45°C		
	Storage Temperature	10%-90% RH		
	Operating Humidity	-40°C TO 80°C		
	Storage Humidity	10%-95% RH		
	Warranty	5 years		

*Optional sensors, accessories, and finishes available via Special Order. Please call 1-800-624-4488.

PACKAGE

Bracket Type	Carton Size	Qty / Carton	Net Weight / Carton	Gross Weight / Carton
Outer box	415*310*450 mm	4 PCS	7.6 KG	9KG
Inner box	295*200*215 mm	1 PC	1.9KG	1.975KG

Tolerance of Carton Size: ±15 MM, Tolerance of Weight: ±10%.



LIGHT DISTRIBUTION TESTING PARAMETERS

Luminaire Property

Luminaire Manufacturer:

Luminaire Category:

Lamp Catalog:

Number of Lamps:

Luminous Length (mm): 178

Luminous Height (mm):

Current: 0.217 A

Power Factor: 0.991

Luminaire Description:

Lamp Description:

Lumens per Lamp:

Luminous Width (mm): 57

Voltage: 120.0 V

Power: 25.83 W

Photometric Results

IES Classification: Type I

Total Rated Lamp Lumens: 3454.6 lm

Efficiency: 100%

Upward Ratio: 0%

C0r0 Intensity: 2813.61 cd

Pos of Max. Intensity: H292.5 V5

Beam Angle(C0/C180,C90/C270,C45/C225,C135/315): 66.5, 65.6, 66.1, 65.3

Longitudinal Classification: Very Short

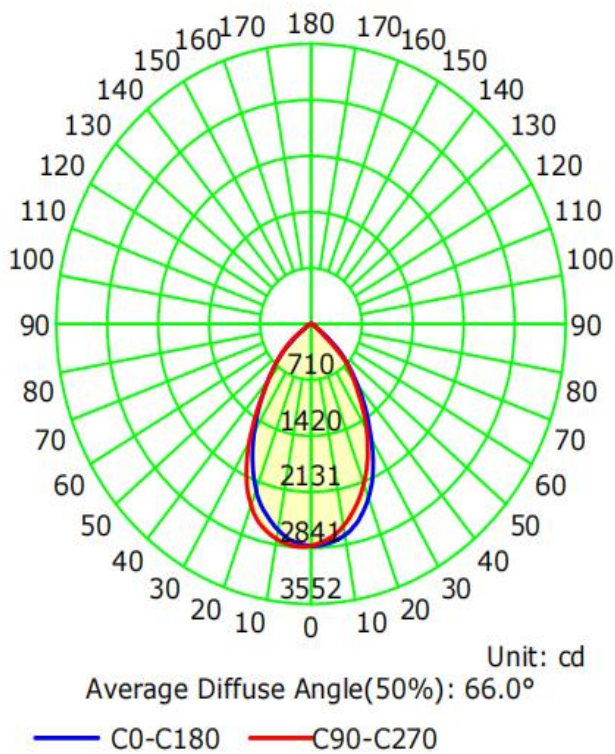
Measurement Flux: 3454.6 lm

Downward Ratio: 100%

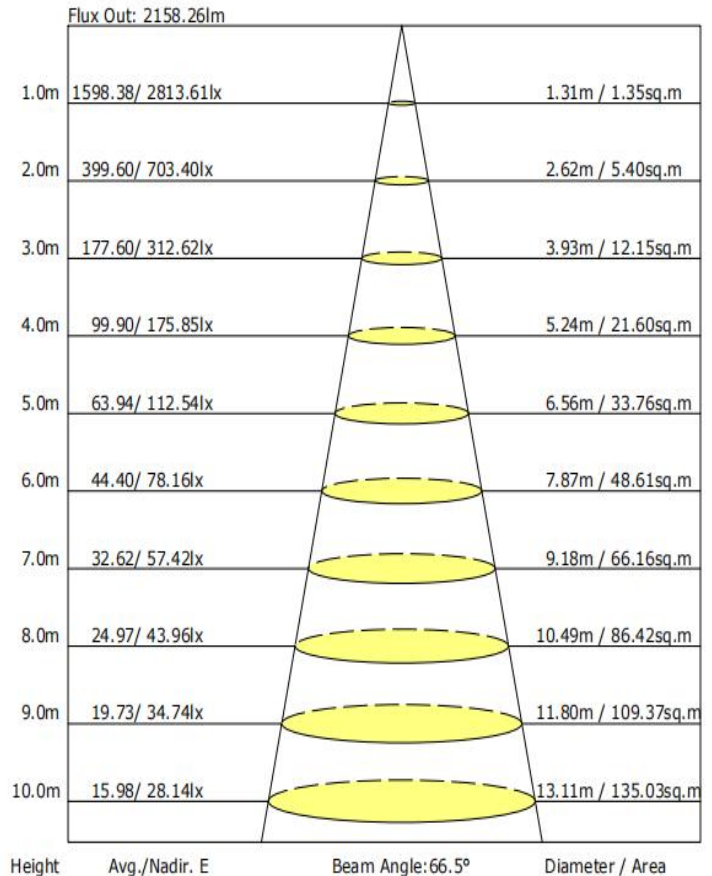
Luminaire Efficacy Rating (LER): 133.79

Max. Intensity: 2841.96 cd

Luminous Intensity Distribution Curve



The Average Illuminance Effective Figure



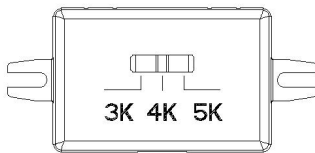
NOTICE FOR USER

- Please turn off power before installation or maintenance.
- Verify that supply voltage is correct by comparing it with the luminaire label information. Please make sure the wiring is insulated.
- Installation, service, and maintenance of luminaires should be performed by a qualified licensed electrician.

TROUBLESHOOTING

Problem	Solution
Flickering Light	Turn off the power, then turn on again after 3 minutes. If the light continues to flicker, call a licensed electrician.
Fixture not turning on	Check the electrical connection.

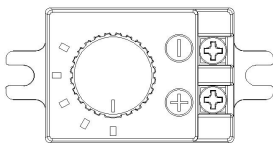
Wattage & CCT Selection



Color temperature adjustable instruction

1. Slide the DIP switch to the desired color temperature
 - a. 3K = 3000K
 - b. 4K = 4000K
 - c. 5K = 5000K

Note: Please turn off the power before adjusting the color temperature.



Wattage adjustable instruction

1. Turn the knob to the desired wattage

Note: Please turn off the power before adjusting the wattage.