



TECHNICAL DATA SHEET

FEATURES

- High pressure die casting housing, anti-static powder painting.
- High thermal conductive material and high efficiency cooling system.
- Fixture angle can be easily adjusted.
- Slipfitter mounting fits a 2 3/8" O.D. Tenon.

APPLICATION:


Wall washing, landscaping lighting, outdoor advertising and parking lots.

83325

LED FLOOD LIGHT

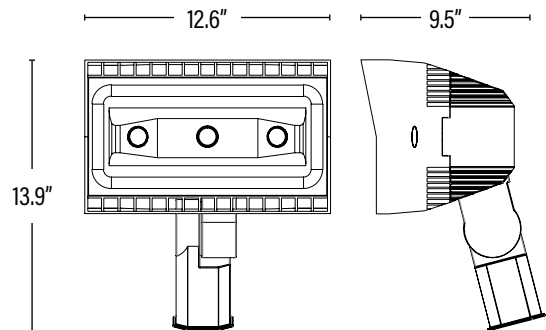
ARCHITECTURAL FLOOD AND SPOT
LUMINAIRES

PRODUCT DETAILS

ELECTRICAL	
Wattage	80W
Voltage	120-277V
Current	0.671A
Power Factor	0.9
Total Harmonic Distortion (THD)	6.6
LIGHTING PERFORMANCE	
Lumens	9300
Lumens Per Watt (Lm/W)	116
Color Temperature (CCT)	4000K
Color Rendering (CRI)	70
Beam Angle	80°
Light Distribution	Type IV, Very Short
Dimmable Lighting Control	
ENVIRONMENT	
Operating Temperature	-25°C ~ 40°C
Suitable Location	WET
Ingress Protection Rating	IP65
LIFESPAN	
Average Life (Hours)	50,000
Warranty (Years)	5
CERTIFICATIONS	



COMPONENTS	
LED Light Source	Seoul SW85FIC
Driver	Arcata SLP80-I1950
CONSTRUCTION	
Housing	Aluminum
Base / Power Supply	Hard Wired
Finish	Black
PACKAGING	
Master Carton	1pc / 811768028966
Country of Origin	China
HS Tariff	9405.40.6000
DIMENSIONS	
Dimensions (Inches)	12.6"(W) x 13.9"(H) x 9.5" (D)



ORDERING

ITEM#	DESCRIPTION	CASE
83325	LED 80W LARGE FLOOD LIGHT/40K/120-277V - SLIP FITTER	1