



DESCRIPTION

Automate existing LED high bay fixtures by installing this microwave high bay occupancy sensor and photocell. Installing into the pre-installed port, this motion sensor turns the fixture on, off, and adjusts the light level depending on current light levels and room occupancy.

FEATURES

- Allows fixture to turn on or off automatically depending on the amount of light or activity detected in the area; see Motion Sensor Specifications for information on factory settings
- Installs into pre-installed port on select LED high bays; see Compatible Fixture section for full list of fixtures.
- Optional remote control available to adjust motion sensor settings including light levels and daylight sensing; remote must be less than 49 feet from the sensor/fixture that is being controlled; see PLTS-12281 for more information

LISTINGS

- RoHS
- IP65

THERMAL

- -22°F to 140°F (-30° to 60°C) operating temperature

ELECTRICAL

- Operating Current: 30mA
- Microwave Frequency: 5.8GHz ±75MHz
- Microwave Power: <0.5W

INSTALLATION

- Remove the plastic cap from the prongs, then simply screw into the pre-installed port on select LED UFO high bays; see Compatible Fixture section for full list of fixtures.
- Warm-up time is 10 seconds. The luminaire will remain on for 10 seconds before switching to the sensor’s default operating mode.
- For proper operation, the sensor must have a clear line of sight to the area where movement is expected. Avoid installing the sensor in locations where obstructions may block detection.
- When a setting is changed by remote control, the LED fixture connected to the sensor will briefly dim and then brighten to confirm new setting.

Project name	Type
Catalog number	
Comments	Voltage
Approved by	Date



WARRANTY

- 5-year limited warranty; see pltsolutions.com for warranty details

APPLICATIONS

- Warehouses
- Manufacturing Plants
- Distribution Centers
- Grocery Stores
- Gymnasiums
- Indoor Recreational Facilities
- Cold Storage
- Big Box Retail
- Service Repair Centers

PERFORMANCE SUMMARY

Item #	Input Voltage	Dimming	Mounting Height	Detection Range	Finish	Compatible Remote
PLT-12844	12±2V	0-10V	49.2' (15m) Max	49.2' Max	White	PLTS-12281

MOTION SENSOR SPECIFICATIONS

Input Voltage	12±2V
Stand-by Power	<0.5W
Dimming	0-10V
Mounting Height	49.2' (15m) Max
Sensor Range	49.2' Max
Detection Angle	360°
Default Setting*	<ul style="list-style-type: none"> Brightness - 100% Hold Time - 10 min Standby Dim - 50% Standby Time - 1 min Sensitivity: 100% Daylight - OFF
Brightness Setting**	0%-100% Quick Settings - 70%, 80%, 90%, 100%
Hold Time Setting**	10s, 1 min, 10 min, 30 min
Stand-by Dimming Level**	10%, 20%, 30%, 50%
Stand-by Time**	1 min, 30 min, 60 min, +∞
Sensitivity Setting**	20%, 50%, 75%, 100%
Daylight Threshold**	10 Lux, 30 Lux, 50 lux, 100 Lux, OFF

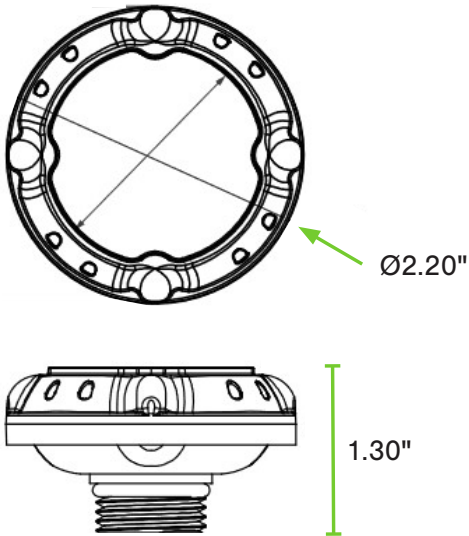
*Reset button on the PLTS-12281 remote returns sensor settings to these Default Settings. See PLTS-12281 for more information.

** Adjustable only with the PLTS-12281 remote. See PLTS-12281 for more information.

COMPATIBLE FIXTURES

SKU	Description
PLT-12379	Rotatable Linear LED High Bay - 400W MH Equal - 165W - 23,210 Lumens - 5000K - White Finish
PLT-12380	Wattage/CCT Selectable Linear LED High Bay - 400W MH Equal - 180/200/220W - 31,888 Lumen Max - 4000/5000K - White Finish
PLT-12414	Rotatable Linear LED High Bay - 250W MH Equal - 110W - 14,686 Lumens - 5000K - White Finish
PLT-12558	UFO LED High Bay - 250W MH Equal - 100W - 15,200 Lumens - 4000K - Black Finish
PLT-12559	UFO LED High Bay - 250W MH Equal - 100W - 14,800 Lumens - 5000K - Black Finish
PLT-12560	UFO LED High Bay - 250W MH Equal - 100W - 13,800 Lumens - 4000K - White Finish
PLT-12561	UFO LED High Bay - 250W MH Equal - 100W - 15,200 Lumens - 5000K - White Finish
PLT-12562	UFO LED High Bay - 400W MH Equal - 150W - 22,500 Lumens - 4000K - Black Finish
PLT-12563	UFO LED High Bay - 400W MH Equal - 150W - 22,500 Lumens - 5000K - Black Finish
PLT-12564	UFO LED High Bay - 400W MH Equal - 150W - 22,500 Lumens - 4000K - White Finish
PLT-12565	UFO LED High Bay - 400W MH Equal - 150W - 22,500 Lumens - 5000K - White Finish
PLT-12566	UFO LED High Bay - 1000W MH Equal - 240W - 36,500 Lumens - 4000K - Black Finish
PLT-12567	UFO LED High Bay - 400W MH Equal - 240W - 32,400 Lumens - 4000K - Black Finish
PLT-12568	UFO LED High Bay - 1000W MH Equal - 240W - 36,500 Lumens - 5000K - Black Finish
PLT-12569	UFO LED High Bay - 1000W MH Equal - 240W - 36,500 Lumens - 4000K - White Finish
PLT-12570	UFO LED High Bay - 1000W MH Equal - 240W - 36,500 Lumens - 5000K - White Finish
PLT-12572	UFO LED High Bay - 1500W MH Equal - 300W - 44,727 Lumens - 5000K - Black Finish
PLT-12630	UFO LED High Bay w/ Reflector - 400W MH Equal - 150W - 21,450 Lumens - 5000K - Black Finish
PLT-12631	UFO LED High Bay w/ Reflector - 400W MH Equal - 150W - 21,150 Lumens - 4000K - Black Finish
PLT-12632	UFO LED High Bay w/ Reflector - 1000W MH Equal - 240W - 34,560 Lumens - 5000K - Black Finish
PLT-12633	UFO LED High Bay w/ Reflector - 250W MH Equal - 100W - 14,600 Lumens - 5000K - Black Finish
PLT-12634	UFO LED High Bay w/ Reflector - 400W MH Equal - 150W - 21,150 Lumens - 4000K - White Finish
PLT-12635	UFO LED High Bay w/ Reflector - 400W MH Equal - 150W - 21,150 Lumens - 4000K - White Finish
PLT-12636	UFO LED High Bay w/ Reflector - 1000W MH Equal - 240W - 34,560 Lumens - 5000K - White Finish
PLT-12637	UFO LED High Bay w/ Reflector - 400W MH Equal - 150W - 21,000 Lumens - 3500K - Black Finish
PLT-12686	Linear LED High Bay - 400W MH Equal - 165W - 23,000 Lumens - 5000K - White Finish
PLT-12687	Linear LED High Bay - 400W MH Equal - 220W - 30,500 Lumens - 5000K - White Finish
PLT-12690	UFO LED High Bay - 400W MH Equal - 150W - 21,150 Lumens - 5000K - White Finish
PLT-12691	UFO LED High Bay - 400W MH Equal - 150W - 21,150 Lumens - 5000K - Black Finish
PLT-12692	UFO LED High Bay - 1000W MH Equal - 240W - 33,600 Lumens - 5000K - Black Finish
PLT-12693	UFO LED High Bay w/ Reflector - 400W MH Equal - 150W - 21,000 Lumens - 3500K - Black Finish
PLT-12939	UFO LED High Bay w/ Reflector - 250W MH Equal - 100W - 14,600 Lumens - 5000K - White Finish
PLT-12980	UFO LED High Bay w/ Reflector - 250W MH Equal - 100W - 14,400 Lumens - 5000K - Black Finish
PLT-12981	UFO LED High Bay - 1000W MH Equal - 240W - 33,600 Lumens - 5000K - White Finish

DIMENSIONS

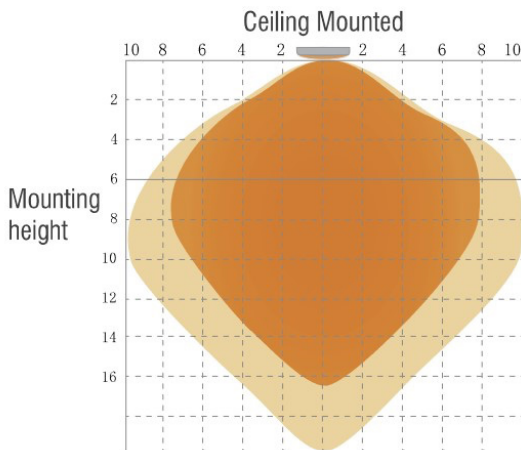


DIMENSIONS:

Diameter: 2.20"

Height: 1.30"

MOTION SENSOR COVERAGE



WARNINGS

- Power must be turned OFF at the circuit breaker before installing the sensor to the fixture.
- Plastic cap must be removed from the prongs before installing the sensor to the fixture.