

## INSTALLATION INSTRUCTIONS

4" LED INSERTS  
Rated Voltage 120V, 60Hz

Please read carefully and save these instructions as you may need them at a later date.

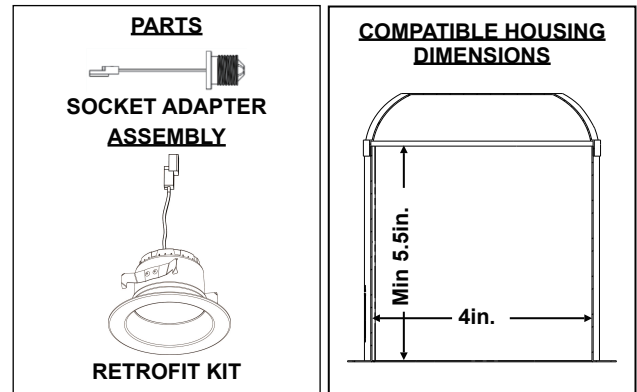
**WARNING - RISK OF ELECTRIC SHOCK. DISCONNECT MAIN POWER AT FUSE OR CIRCUIT BREAKER BEFORE INSTALLING OR SERVICING THE FIXTURE.**

**GENERAL:** All electrical connections must be in accordance with local and National Electrical Code (N.E.C.) standards. If you are unfamiliar with proper electrical wiring connections obtain the services of a qualified electrician.

Remove the KIT from the box and make sure that no parts are missing by referencing the PARTS illustrations.

THIS RETROFIT ASSEMBLY IS ACCEPTED AS A COMPONENT OF A LED LUMINAIRE WHERE THE SUITABILITY OF THE COMBINATION SHALL BE DETERMINED BY CSA OR CANADIAN AUTHORITIES HAVING JURISDICTION.

THIS DEVICE IS NOT INTENDED FOR USE WITH EMERGENCY EXITS.



### **WARNING- RISK OF FIRE OR ELECTRIC SHOCK**

- LED Retrofit Kit installation requires knowledge of luminaires electrical systems. If not qualified, do not attempt installation. Contact a qualified electrician.
- Install this kit only in luminaires that have the construction features and dimensions shown in the photographs and/or drawings and where the input rating of the retrofit kit does not exceed the input rating of the luminaire.
- Do not make or alter any open holes in an enclosure of wiring or electrical components during kit installation.
- To prevent wiring damage or abrasion, do not expose wiring to edges of sheet metal or other sharp objects.
- The inside of the ceiling must be waterproof.

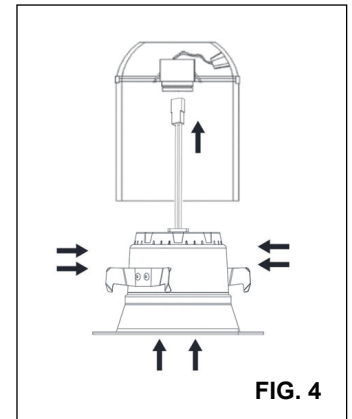
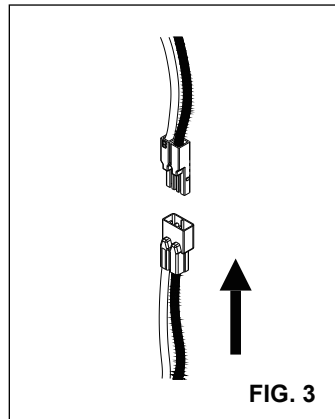
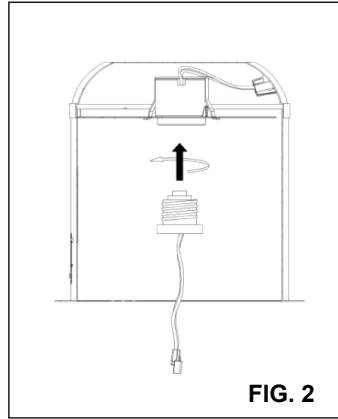
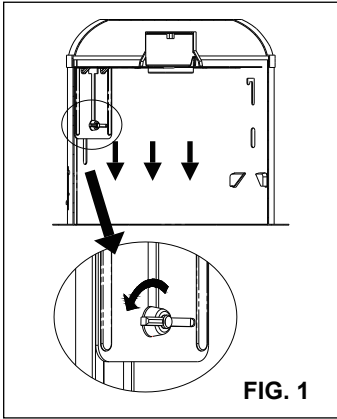
### **ASSEMBLY AND INSTALLATION**

#### **INCANDESCENT HOUSINGS**

1. Unscrew the WING NUT inside the CAN to detach the SOCKET BRACKET from the CAN. Disengage the SOCKET from the SOCKET BRACKET. **(FIG. 1)**
2. Thread the SOCKET ADAPTER into the SOCKET. **(FIG. 2)**
3. Plug the FEMALE CONNECTOR of the RETROFIT KIT onto the MALE CONNECTOR of the SOCKET ADAPTER ASSEMBLY. **(FIG. 3)**
4. Squeeze both FRICTION BLADES arms together and insert into the CAN. **(FIG. 4)**
5. Tuck all wires into the CAN and carefully push the RETROFIT KIT into CAN. (NOTE: To provide enough room in shallow cans, carefully position SOCKET ADAPTER and SOCKET adjacent to the side of the LED DRIVER prior to inserting the RETROFIT KIT into the CAN.) **(FIG. 2 & 4)**

#### **LED HOUSINGS**

1. Plug the FEMALE CONNECTOR of the RETROFIT KIT onto the MALE CONNECTOR of the LED HOUSING. **(FIG. 4)**
2. Squeeze both FRICTION BLADES arms together and insert into the CAN. Tuck all wires into the CAN and carefully push the RETROFIT KIT into CAN. **(FIG. 2 & 4)**



## **DIMMING**

Dimming performance may depend on the dimmer, the dimmer range adjustment setting (for dimmers with brightness range adjustments), the wiring method, and/or the number of LED modules installed onto the dimmer circuit.

- For dimmer selection, it is recommended to use one of the following dimmers:  
*Lutron-TGCL-153P, DVCL-153P, CTCL-153P, MACL-153M, PD-6WCL*  
*Leviton-IPL06-10, 6672-1L, 6674-PO*
- For best results, it is recommended to install a minimum of four LED modules onto one dimmer.
- Before turning on the LED lights, set dimmer position at maximum before adjusting to a lower light level.
- Please follow the dimming control manufacturer's instructions for the installation of all dimming controls.

