



LED UNDER CABINET FIXTURE

WARNING, CAUTION, SAFETY AND INSTALLATION INSTRUCTIONS

WARNING

- Installation, service, and maintenance of luminaires should be performed by a qualified licensed electrician.
- Install this product in accordance with country, regional and local laws and regulations.
- To prevent wiring damage or abrasion, do not expose wiring to edges of sheet metal or other sharp objects.
- Account for small parts and destroy packing material, as these may be hazardous to children.
- Risk of burn. Disconnect power and allow fixture to cool before changing/handling fixture.

CAUTION

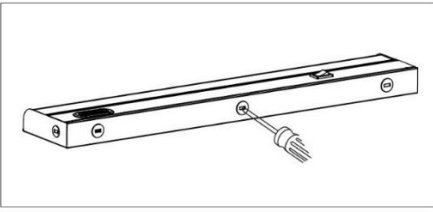
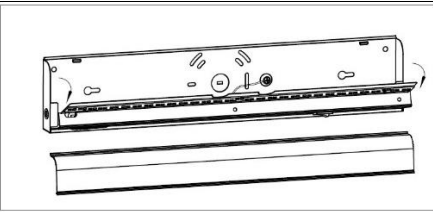
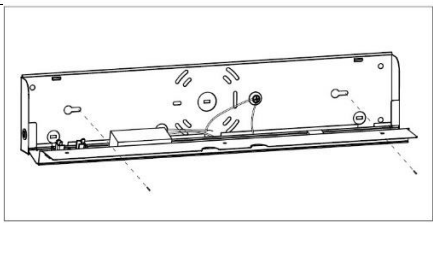
- Do not make or alter any open holes in an enclosure of wiring or electrical components during installation.
- Verify the supply voltage is correct by comparing it with the luminaire label information.
- All wiring connections should be capped with UL approved wire connectors.
- Green ground screw provided is in proper location. Do not relocate.
- Use minimum 90°C supply conductors.

NOTICE

- Specifications and dimensions are subject to change without notice.

Installation Instructions

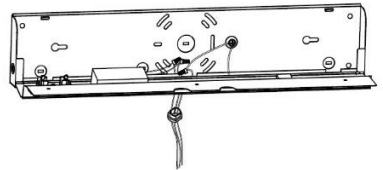
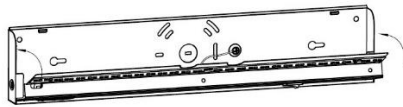
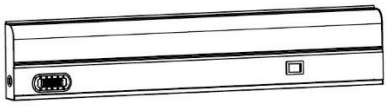
Wall or Under Cabinet Mounting – No Junction Box

<p>1. Carefully take out the product from the box. Remove the round knock-out in the luminaire housing that is nearest the location of incoming power wires.</p>	
<p>2. Remove the lens and the LED driver cover from the luminaire</p>	
<p>3. Position the luminaire housing in the desired location, and then mark and drill mounting holes at the narrow ends of the keyhole slots. Screw in the mounting screws, leaving space for the channel body. Slide the channel over the mounting screws. Lift and shift the channel into position and tighten the screws.</p>	

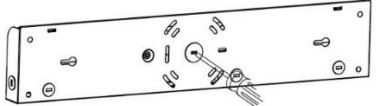
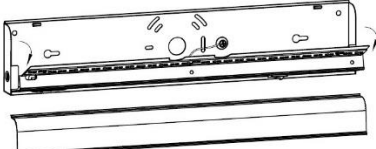
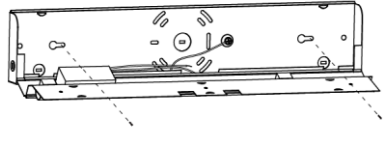


LED UNDER CABINET FIXTURE

WARNING, CAUTION, SAFETY AND INSTALLATION INSTRUCTIONS

4. Make connections from the incoming power wires to the driver input power wires.			
5. Reattach the LED driver cover assembly to the luminaire housing, and then press the cover back until it is retained by the slots.			
6. Reattach the lens onto the luminaire housing.			
7. Turn on the power to confirm that the fixture is working properly. You can select the desired color temperature by sliding the CCT selector switch to the appropriate setting.			

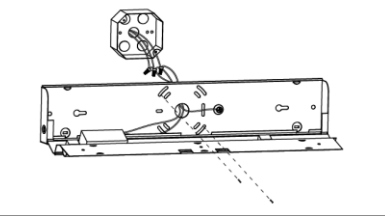
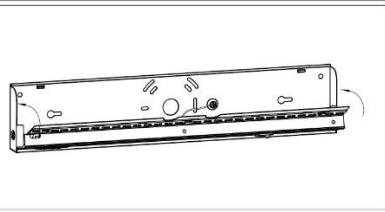
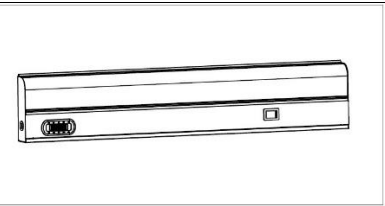
Wall or Under Cabinet Mounting – With Junction Box

1. Carefully take out the product from the box. Remove the center knock-out from the back of the luminaire.			
2. Remove the lens and the LED driver cover from the luminaire.			
3. After considering Item 4 below, position the luminaire housing in the desired location, and then mark and drill mounting holes at the narrow ends of the keyhole slots. Screw in the mounting screws, leaving space for the channel body. Slide the channel over the mounting screws. Lift and shift the channel into position and tighten the screws.			

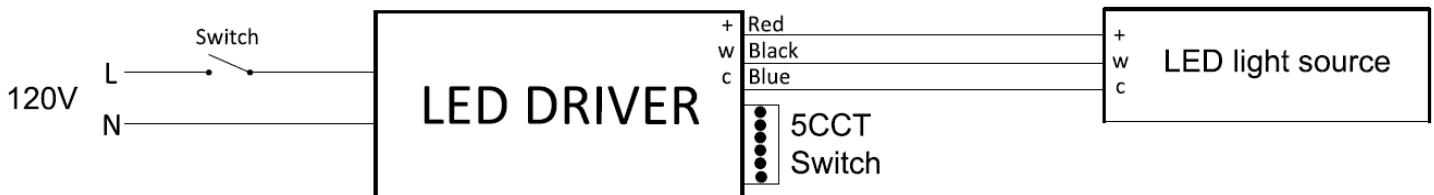


LED UNDER CABINET FIXTURE

WARNING, CAUTION, SAFETY AND INSTALLATION INSTRUCTIONS

<p>4. Make connections from the incoming power wires to the driver input power wires. Position the junction box mounting holes on the luminaire over the junction box and secure.</p>			
<p>5. Reattach the LED driver cover assembly to the luminaire housing, and then press the cover back until it is retained by the slots.</p>			
<p>6. Reattach the lens onto the luminaire housing.</p>			
<p>7. Turn on the power to confirm that the fixture is working properly. You can select the desired color temperature by sliding the CCT selector switch to the appropriate setting.</p>			

Wiring Diagram



⚠ WARNING

- Before installing, servicing, or performing routine maintenance upon this equipment, follow these general precautions.
- To reduce the risk of death, personal injury, or property damage from fire, electric shock, falling parts, cuts/abrasions, and other hazards, read all warnings and instructions included with and on the fixture box and all fixture labels.
- Proper grounding is required to ensure safety.
- Power must be turned off at the breaker before installation or maintenance.
- This product must be installed in accordance with the applicable installation code by a person familiar with the construction and operation of the product and the hazards involved.
- Wear gloves and eye protection at all times while installing, servicing, or performing maintenance on the luminaire, and avoid direct eye exposure to the light source while it is on.
- To prevent wiring damage or abrasion, do not expose wiring to edges of sheet metal or other sharp objects.



LED UNDER CABINET FIXTURE

WARNING, CAUTION, SAFETY AND INSTALLATION INSTRUCTIONS

- Do not install damaged product. Inspect luminaire for damage that may have occurred during transit. If damaged, contact the manufacturer immediately.
- These instructions do not purport to cover all details or variations in equipment nor to provide every possible contingency to meet in connection with installation, operation, or maintenance. Should further information be desired or should particular problems arise which are not covered sufficiently for the purchaser's or owner's purposes, contact the manufacturer.

⚠ ADVERTENCIA

- Antes de instalar, reparar o realizar el mantenimiento de rutina de este equipo, siga estas precauciones generales.
- Para reducir el riesgo de muerte, lesiones personales o daños a la propiedad por fuego, descarga eléctrica, caída de piezas, cortes / abrasiones y otros peligros, lea todas las advertencias y instrucciones incluidas con y en la caja del dispositivo y todas las etiquetas del dispositivo.
- Se requiere una conexión a tierra adecuada para garantizar la seguridad.
- Se debe apagar la energía en el disyuntor antes de la instalación o el mantenimiento.
- Este producto debe ser instalado de acuerdo con el código de instalación aplicable por una persona familiarizada con la construcción y operación del producto y los peligros involucrados.
- Utilice guantes y protección para los ojos en todo momento durante la instalación, el servicio o el mantenimiento de la luminaria, y evite la exposición directa de los ojos a la fuente de luz mientras está encendida.
- Para evitar daños o abrasiones en el cableado, no exponga el cableado a bordes de láminas de metal u otros objetos afilados.
- No instale un producto dañado. Inspeccione la luminaria en busca de daños que puedan haber ocurrido durante el tránsito. Si está dañado, comuníquese con el fabricante de inmediato.
- Estas instrucciones no pretenden cubrir todos los detalles o variaciones en el equipo ni proporcionar todas las posibles contingencias a cumplir en relación con la instalación, operación o mantenimiento. Si desea obtener más información o si surgen problemas particulares que no están suficientemente cubiertos para los propósitos del comprador o propietario, comuníquese con el fabricante.