

MODEL NO: _____
 TYPE: _____
 PROJECT: _____
 COMMENTS: _____

APPLICATION



Select 4-Pin LED Retrofit CFL Lamps

*Refer to Operable Lamps Chart on Page 2 for list of compatible lamps.

DESCRIPTION

The **I4PT A** from IOTA is a UL Listed emergency ballast that allows the same fixture to be used for both normal and emergency operation. In the event of a power failure, the **I4PT A** switches to the emergency mode and operates **one** LED 4-pin lamp for **90 minutes** at reduced illumination levels. The unit contains a battery, charger, and inverter circuit in a single can and is certified in the CA Title 20 Appliance Efficiency Database. The **I4PT A** can be used with select 13W-42W 4-pin CFL LED retrofit lamps and uses AC output for compatibility with Type A LED lamp technologies. Refer to Page 2 for a list of operable LED lamp models. The **I4PT A** features a dual flex design for connecting wiring to the junction box and the test accessories, and is suitable for use in damp locations.

SPECIFICATIONS

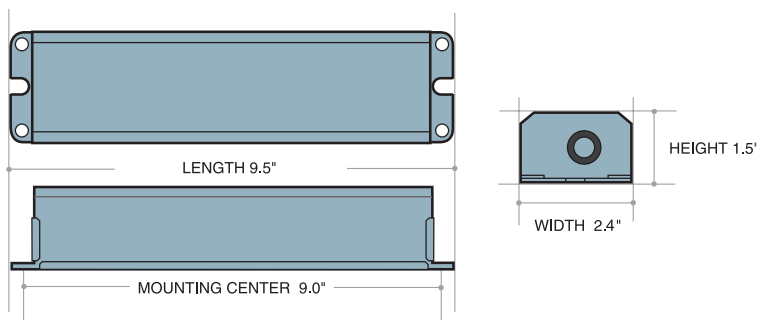
Input Voltage	(Universal) 120-277V, 50/60Hz
Input Current (max.)	20mA
Lamps Operated	Select 13W to 42W 4-Pin LED CFL Lamps Refer to Table on Page 2 for operable lamps
Emergency Operation	90 minutes
Initial Illumination (nominal)	250-400 lumens
Operating Temp	0° to 55° C
Power Factor	≥ 0.9 at 120VAC ¹
THD	< 20%
Surge Protection	Meets ANSI/IEEE C62.41.2-2002
Battery	24 Hour Recharge 7-10 Year Life Expectancy
Weight	3.5 lbs.
Certifications	UL and CUL Listed CA T20 Appliance Efficiency Database

¹ PF ≥ 0.75 at 277VAC



DIMENSIONS

9.5" x 2.4" x 1.5" (mounting center 9.0")



PRODUCT ADVANTAGES

- **For Select Type A LED Retrofits**
Specifically engineered for compatibility with Type A 4-Pin LED Retrofit Lamps
- **Certified for CA Title 20**
High Efficiency Performance meets CA Title 20 battery charger efficiency standards
- **Advanced Technology Features**
Compatible with End-of-Lamp-Life Circuitry and Open Circuit Isolation Features in modern ballast designs

FEATURES

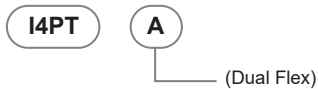
- Will cold start and operate all specified lamps
- Long life high temperature recyclable Ni-Cad battery
- Galvanized steel case
- Includes test switch and charge indicator accessory kit
- For use with switched or unswitched fixtures
- **5-Year Warranty**
- Rated for use in damp locations and plenum fixtures
- Meets or exceeds all NEC, IBC, and Life Safety Code Emergency Lighting Requirements
- RoHS Compliant



I4PT A

EMERGENCY BALLAST FOR 4-PIN LED RETROFIT

ORDERING GUIDE



Understanding Your IOTA Driver Model:

I4PT = Emergency Solution for 4-Pin T-LEDs

I4PT A Sample Specification

Emergency lighting shall be provided by using a standard fixture equipped with an **IOTA I4PT A** emergency battery pack. The **I4PT A** shall consist of a high temperature, maintenance-free nickel cadmium battery, charger board and an electronic circuit enclosed in a 9.5" x 2.4" x 1.5" vandal-resistant galvanized steel case. The unit is designed for installation on top of the fixture and is equipped with 3/8" flex for wiring to the fixture or ballast compartment. A combination one-piece long-life LED charge indicator light and test switch shall be included. The fluorescent EM pack shall operate one 13w-42w 4-pin LED CFL lamp as specified by the manufacturer. The **I4PT A** shall provide reduced illumination for a minimum of 90 minutes in the emergency mode. The **I4PT A** will operate the lamp with AC output and shall have 2.25 watts of input power and a battery capacity of 14.4 watt hours. The unit shall monitor and adjust the input power consumption and be certified in the CA Title 20 Modernized Appliance Efficiency Database System (MAEDBS) as a small battery charger. The **I4PT A** is UL Listed and meets or exceeds all NEC and Life Safety Code Emergency Lighting Requirements, and is rated for use in damp locations and plenum fixtures. The **I4PT A** is warranted for a full five (5) years from the date of purchase.

I4PT A Table: Operable Lamps

Lamp Manufacturer	Model	Lumens
GE	LED9G24Q-H/835	217
GE	LED9G24Q-V/840	249
GE	LED12G24Q-H/835	278
GE	LED12G24Q-V/830	250
GE	LED19GX24Q-H/827	409
GE	LED19GX24Q-V/830	444
Green Creative	5.5PLH/840/DIR/R	248
Green Creative	6PLV/840/DIR	241
Green Creative	8.5PLH/840/DIR	274
Green Creative	9.5PLH/840/DIR	304
Green Creative	9.5PLV/840/DIR	268
Green Creative	10PLV/840/DIR	274
Green Creative	10.5PLH/930/DIR	255
Green Creative	11PLV/930/DIR	201
Keystone	KT-LED94P-H-840-S	323
Keystone	KT-LED94P-V-840-S	300
Maxlite	12PLG24QHLED40	395
Maxlite	11PLG24QVLED40	330
Philips	8.5PL-C/T LED/26H-4000 IF 4P	251
Philips	10.5PL-C/T LED/26V-4000 IF 4P	300
Philips	12PLC/T LED/32H/830/IF/4P/DIM	235
Satco	9WPLH/LED/840/DR/4P	432
Satco	9WPLV/LED/840/DR/4P	374
Satco	13WV/LED/CFL/840/4P	355
Satco	13WVL/LED/CFL/840/4P	344
Sylvania	LED9PBGX24QH841	323
Sylvania	LED9PBGX24QV841	276

REMOTE MOUNTING

When battery packs are remote mounted, consult Customer Service for the maximum allowable distance between the battery pack and lamp(s).

Warranty: 5-Year Limited Warranty

Complete warranty terms located at www.acuitybrands.com/CustomerResources/Terms_and_conditions.aspx