



DESCRIPTION

Featuring a low-profile design and motion sensor, these UFO LED high bays are a cost-effective solid state solution for high bay applications, providing a one-for-one replacement of existing 1000 Watt metal halide fixtures.

FEATURES

- Up to 151 LPW ultra-high efficiency delivers superior performance over older HID high bays
- Provided field-installed motion sensor allows fixture to turn on or off automatically depending on the amount of activity detected in area; see Motion Sensor Specifications for more information
- Optional remote control available to adjust motion sensor settings; see PLTS-12281 for more information
- 6' power cord standard for more installation flexibility
- 0-10V dimming
- Optional u-bracket available for surface mounting; see Mounting Accessories section for more information

LISTINGS

- UL rated for wet locations
- IP65

PERFORMANCE

- CRI: >80
- CCT: 5000K
- LED L70 Life Hours: 149,000 hours
- PLT SMD LEDs

THERMAL

- -22°F to 122°F (-30°C to 50°C) operating temperature

ELECTRICAL

- THD: ≤20%
- Power Factor: ≥0.9
- Input Voltage: 120-277V
- Surge Protection: 6kV

INSTALLATION

• Suspended mounting with included 10mm ring or surface mounting (u-bracket sold separately); see installation instructions for more information

- Slim, lightweight die-cast aluminum construction allows for quick and easy installation
- PC lens protects LEDs while evenly distributing light
- Black or white finish

project name	type
catalog number	
comments	voltage
approved by	date



WARRANTY

- 5 year limited warranty; see pltsolutions.com for warranty details

APPLICATIONS

- Warehouses
- Manufacturing Plants
- Distribution Centers
- Grocery Stores
- Gymnasiums
- Indoor Recreational Facilities
- Cold Storage
- Big Box Retail
- Service Repair Centers

PERFORMANCE SUMMARY

Item #	Model	Watts	Lumens	LPW	CCT	CRI	Dimming	Voltage	Replaces	Finish	DLC #	DLC Level
PLT-12568	UFO	240	36,458	151	5000K	>80	0-10V	120-277V	MH1000	Black	PLTSN1B714221	5.1 Premium
PLT-12571	UFO	240	36,458	151	5000K	>80	0-10V	120-277V	MH1000	White	PLTSN1B714121	5.1 Premium

MOTION SENSOR SPECIFICATIONS

Operating Voltage	12V DC
Operating Current	30mA
Stand-by Power	<0.5mW
Microwave Frequency	5.8GHz±75MHz
Microwave Power	<0.5mW
Standby Power	<0.5 Watt
Dimming	0-10V
Mounting Height	49' Max.
Detection Range	49' Max.
Detection Angle	360°
Operating Temperature	-30°F to 140°F (-30°C to 60°C)
IP Rating	IP65
Default Setting	<ul style="list-style-type: none"> • Brightness: 100% • Hold Time: 10 min • Stand-by Dimming Level: 50% • Stand-by Time: 1min • Sensitivity: 100% • Daylight: Disabled
Brightness**	0%-100% Quick Setting: 70%, 80%, 90%, 100%
Sensitivity**	20%, 50%, 75%, 100%
Hold Time**	10s, 1min, 10min, 30min
Stand-by Time**	1 min, 30 min, 60 min, +∞*
Stand-by Dimming Level**	10%, 20%, 30%, 50%
Certification	UL

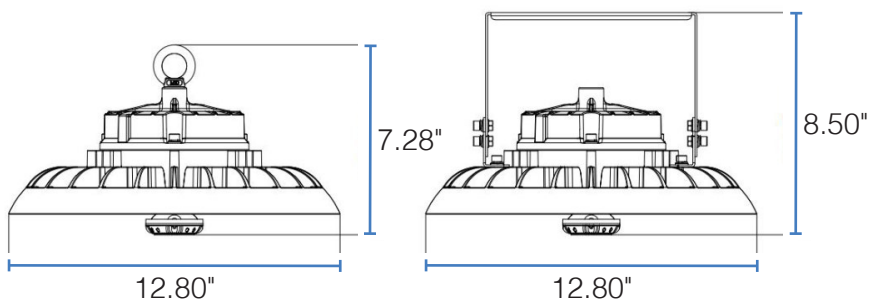
*+∞ is unlimited stand-by time and the light control mode is the light control priority mode.

** Adjustable only with remote, see PLTS-12281 for more information

MOUNTING ACCESSORIES

SKU	Description
PLTS-12377	Adjustable U-Bracket - White
PLTS-12378	Adjustable U-Bracket - Black

DIMENSIONS



DIMENSIONS

Height w/ ring mount & sensor: 7.28"

Height w/ bracket & sensor: 8.50"

Diameter: 12.80"

Weight: 6.17 lbs

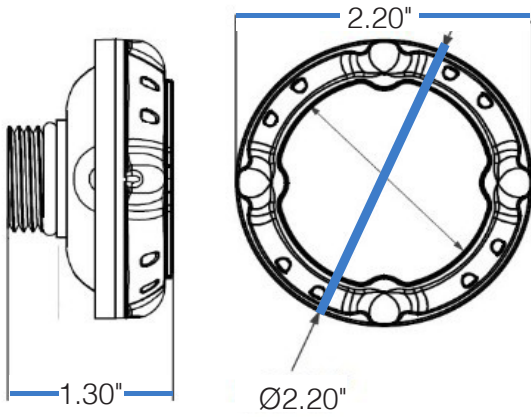
Ring Mount Thread Size: 10MM

MOTION SENSOR DIMENSIONS

DIMENSIONS

Height: 1.30"

Diameter: 2.20"



MOTION SENSOR COVERAGE

