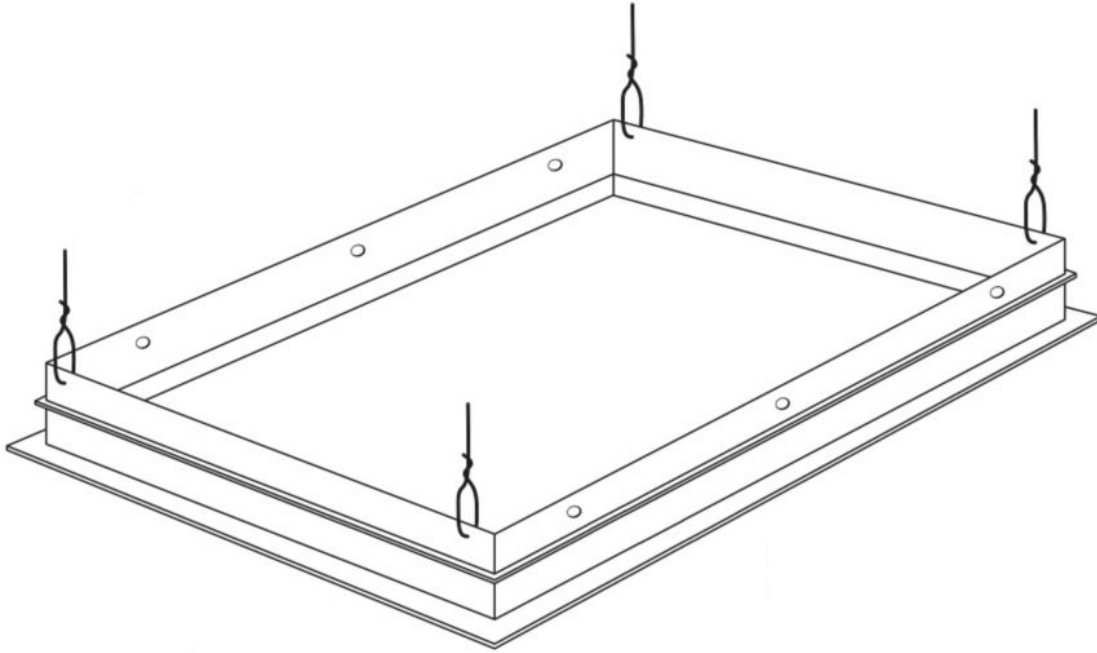


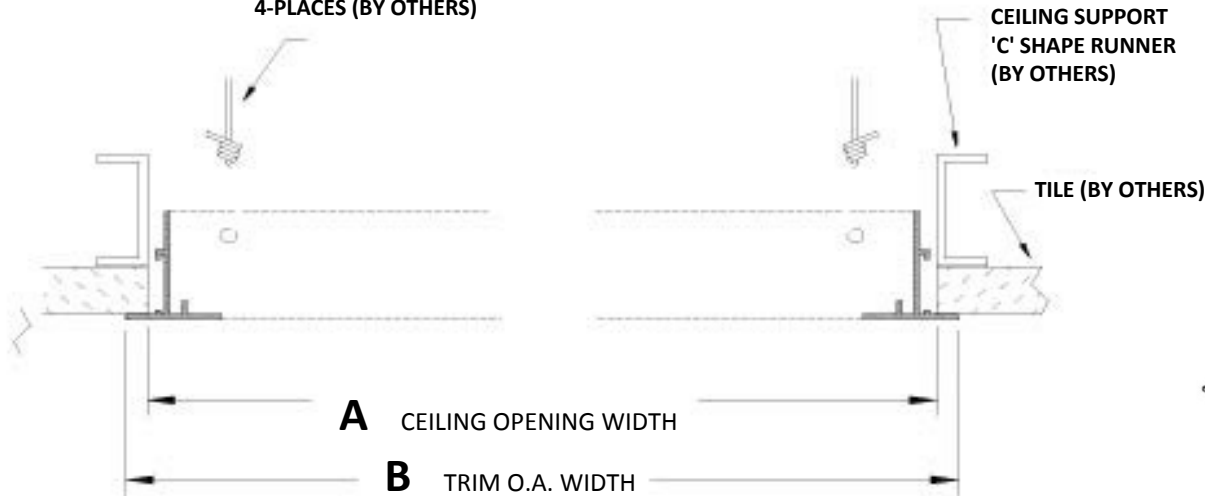
Drywall Grid Adapter

Installing a DGA in a drywall ceiling will provide a frame (grid) onto which you can lay-in any NEMA Type "G" troffer. Flange kits and flange trim kit are not required when a fixture is installed into a DGA.

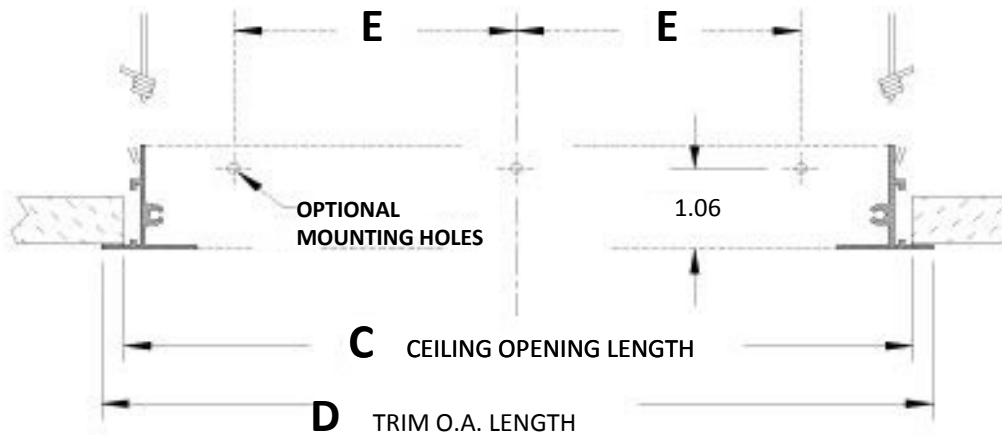
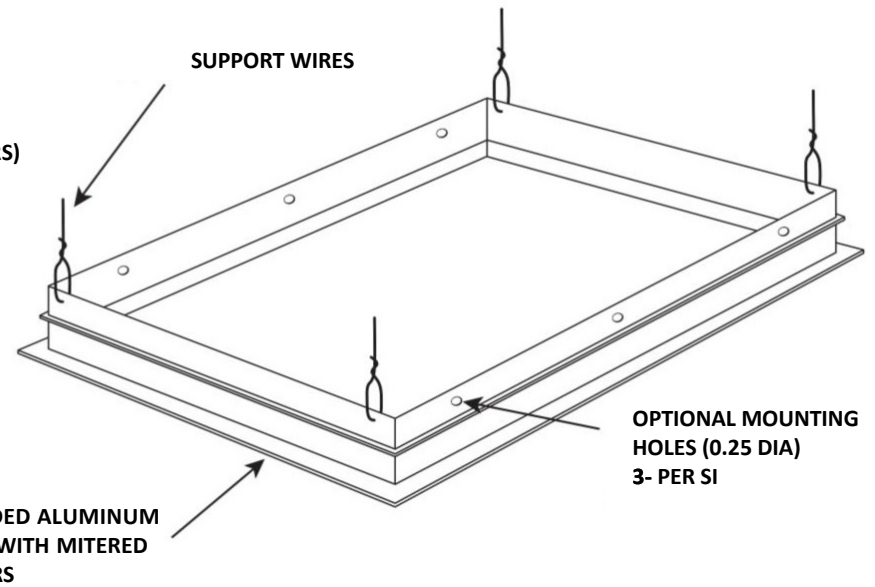


Nomenclature	Description	Ceiling Opening
DGA12	Drywall Grid Adapter - For use with any 1' x 2' Grid Troffer	12 3/4" x 24 3/4" + 1/8" - 0"
DGA14	Drywall Grid Adapter - For use with any 1' x 4' Grid Troffer	12 3/4" x 48 3/4" + 1/8" - 0"
DGA22	Drywall Grid Adapter - For use with any 2' x 2' Grid Troffer	24 3/4" x 24 3/4" + 1/8" - 0"
DGA24	Drywall Grid Adapter - For use with any 2' x 4' Grid Troffer	24 3/4" x 48 3/4" + 1/8" - 0"
DGA44	Drywall Grid Adapter - For use with any 4' x 4' Grid Troffer	48 3/4" x 48 3/4" + 1/8" - 0"
DGA64	Drywall Grid Adapter - For use with any 6' x 4' Grid Troffer	6 3/4" x 48 3/4" + 1/8" - 0"
DGA204	Drywall Grid Adapter - For use with any 20" x 4' Grid Troffer	20 3/4" x 48 3/4" + 1/8" - 0"
DGA13	Drywall Grid Adapter - For use with any 1' x 3' Grid Troffer	12 3/4" x 36 3/4" + 1/8" - 0"

#1 2 GA. MILD STEEL SUPPORT WIRE
4-PLACES (BY OTHERS)



CROSS SECTION



LONGITUDINAL SECTION

	FIXTURE SIZE NOMINAL	WIDTH		LENGTH		E
		A	B	C	D	
DGA12	1 x 2	12-7/8"	13-3/8"	24-7/8"	25-3/8"	9"
DGA14	1 x 4	12-7/8"	13-3/8"	48-7/8"	49-3/8"	21"
DGA22	2 x 2	24-7/8"	25-3/8"	24-7/8"	25-3/8"	9"
DGA24	2 x 4	24-7/8"	25-3/8"	48-7/8"	49-3/8"	21"
DGA44	4 x 4	48-7/8"	49-3/8"	48-7/8"	49-3/8"	21"
DGA64	6 x 4	6-7/8"	7-3/8"	48-7/8"	49-3/8"	21"
DGA204	20 x 4	20-7/8"	21-3/8"	48-7/8"	49-3/8"	21"
DGA13	1 x 3	12-7/8"	13-3/8"	36-7/8"	37-3/8"	15"