



LED CLOSET LIGHT W/ MOTION SENSOR

DESCRIPTION

Easily illuminate closets and other spaces with these LED closet lights with built-in motion sensors.

FEATURES

- Energy efficient replacement for 50W and 75W incandescents
- Built-in motion sensor turns on when movement is detected, then off again 30 seconds after motion stops
- Sensor has a 16' circular detection range when installed to a 7.8 foot high ceiling, and a 19' detection range when installed to a wall at a 5.9 foot height.
- Comes with mounting screws (2), and wire nuts (3)

LISTINGS

- ETL Listed for wet locations
- NFPA 70, NEC Section 410.16 C(1)
- NFPA 70 NEC Section 410.16(A)(3) & 410.16(C)(5)
- RoHS

PERFORMANCE

- CRI: 80
- CCT: 3000K
- Rated Lifetime L70: 50,000 hours

ELECTRICAL

- Power Factor: >0.9
- Input Voltage: 120V
- Surge Protection: 2.5kV

THERMAL

- -4°F to 104°F (-20°C to 40°C) operating temperature

INSTALLATION

- Designed for installation to standard J-boxes (mounting hardware included); see installation instructions for more details.

CONSTRUCTION

- Aluminum body with white finish
- Frosted PC lens

project name	type
catalog number	
comments	voltage
approved by	date



WARRANTY

- 5-year limited warranty; see pltsolutions.com for warranty details

APPLICATIONS

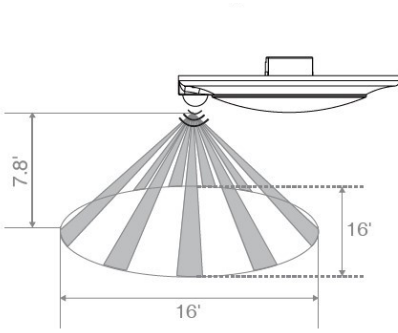
- Closets
- Hallways
- Laundry Rooms
- Storage Rooms
- Stairwells
- Utility Rooms

PERFORMANCE	Power Consumption	10, 15 Watt
	Lumens	600, 950
	Efficacy (LPW)	60, 63
	CRI	80
	CCT	3000K
	Beam Angle	120°
	Life (L70)	50,000
ELECTRICAL	Power Factor	>0.9
	Input Voltage	120V
	Sensor Type	PIR Motion
CONSTRUCTION	Finish	White
	Lens	Frosted
LISTINGS	Certifications	ETL Listed
	Material Usage	RoHS - No mercury or lead
	Environment	Wet Location Rated

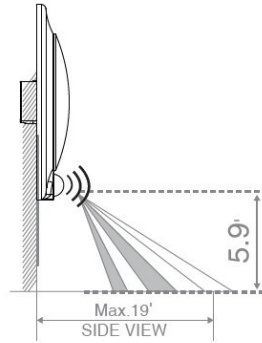
PERFORMANCE SUMMARY

Item #	Size	Lumens	Wattage	LPW	Voltage	Replaces	CCT	CRI	Life/Hours	Dimmable	Sensor Type
PLT-12409	4"	600	10	60	120V	50W Incan.	3000K	80	50,000	No	PIR Motion
PLT-12410	6"	950	15	63	120V	75W Incan.	3000K	80	50,000	No	PIR Motion

OCCUPANCY SENSOR RANGE

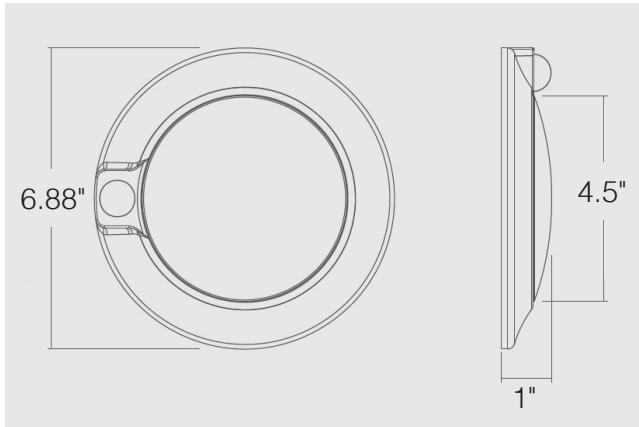


Ceiling Mount Sensor Detection Range



Wall Mount Sensor Detection Range

DIMENSIONS



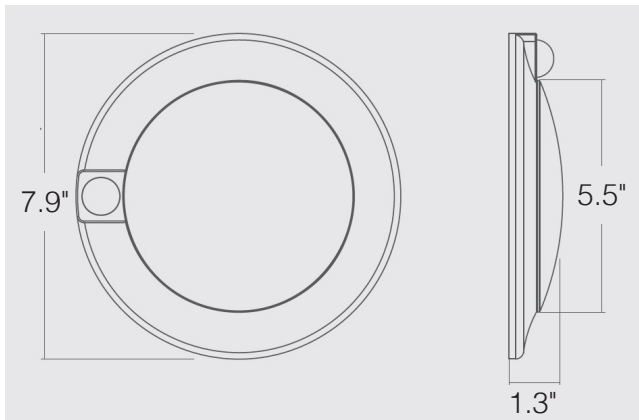
4" DIMENSIONS

Outside Diameter: 6.88"

Inside Diameter: 4.5"

Height: 1"

Weight: 0.73 lbs



6" DIMENSIONS

Outside Diameter: 7.9"

Inside Diameter: 5.5"

Height: 1.3"

Weight: 0.84 lbs

WARNINGS

- Not for use with dimmers.