



WARNING

- Installation, service, and maintenance of luminaires should be performed by a qualified licensed electrician.
- Please read these instructions to fully understand and safely use this product.

CAUTION

- Check that all fixture connections have been properly made and the fixture is grounded to avoid potential electrical shock.
- Designed for use in AC 120-277V, 50/60Hz, 1-10V dimming protected circuits.

NOTICE

- Suitable for damp locations.
- Access above ceiling required. Suitable for suspended ceilings.

LED Light Engines



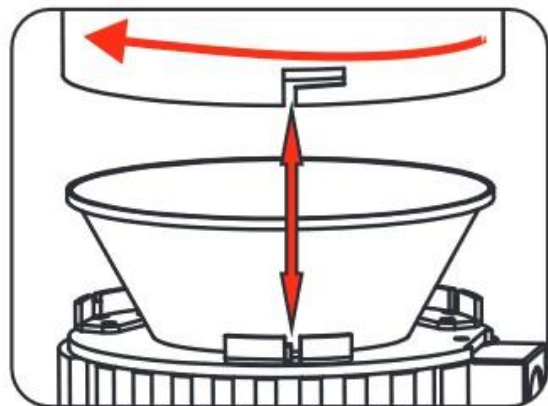
Reflector Trims



Installation Instructions

Pre-Installation

1. PLT-90326 & PLT-90327 light engines are designed for use with PLT-90328 to PLT-90330 trims.
2. Align the three pins located on the light engine with the slots atop the reflector trim.
3. Turn clockwise until it is tightened.





Installation

1. Locate the desired location for the fixture and make a mark on the ceiling at that spot.
2. Drill a hole in the ceiling according to the trim size (see Trim Size section in these instructions). (Figure 1)
3. If retrofitting an existing application, use the mounting frame from the existing fixture. **Note: Top access is recommended.**
4. If mounting in new construction, install a mounting frame (purchased separately), making sure the frame can support the weight of the luminaire. Secure the frame within the ceiling plenum. **Note: Top access is REQUIRED.**
5. For new construction, mount the four retaining clips on the mounting frame equidistant around the collar (Figure 2).

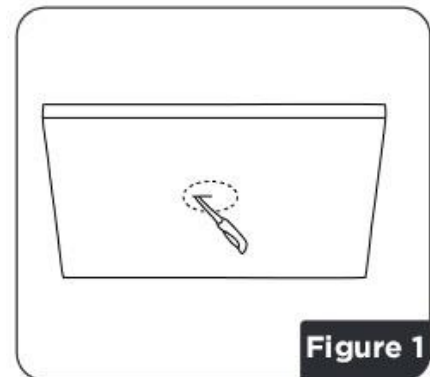


Figure 1

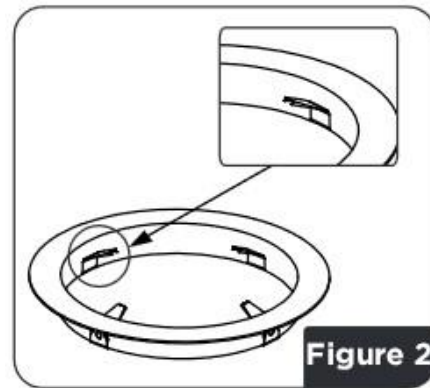


Figure 2

6. PLT-90326: The 40-watt driver contains two whips (Figure 3). Plug the black, white, and red wires of the driver whip into the connection port inside the hole on the light engine (Figure 4). Push the whip into the hole on the light engine until it engages.

PLT-90327: The 80-watt driver contains two whips (Figure 3). Plug the black and red wires of the driver whip into the connection port inside the hole on the light engine. Push the whip into the hole on the light engine until it engages.



Figure 3

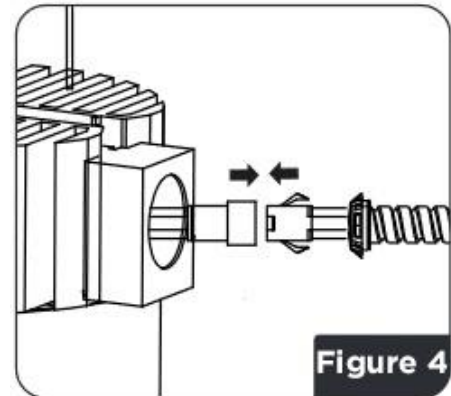


Figure 4



COLOR/WATTAGE SELECTABLE LED DOWNLIGHT ENGINES & TRIMS

WARNING, CAUTION, SAFETY AND INSTALLATION INSTRUCTIONS

7. Connect the driver whip with five-conductors to the junction box (supplied by others), connecting the black wire to the line, the white wire to the neutral, and the green wire to ground (Figure 5).

NOTE: Compatible with 1-10V dimmers. Connect the driver's PURPLE (D+) wire to the dimmer's PURPLE (+) wire, and the driver's PINK (D-) wire to the dimmer's PINK (-) using UL listed wire nuts (supplied by others). Tuck all wires back in the junction and close the cover.

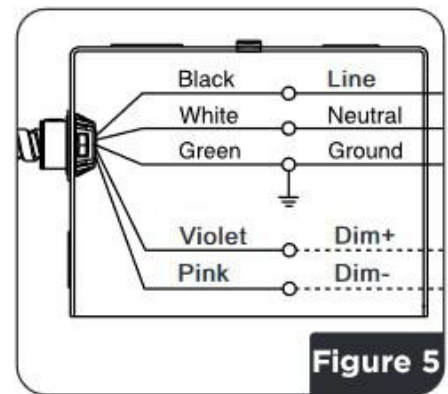


Figure 5

8. Move the driver's "Low/Medium/High" or "1000/670/450" wattage light output switch to your desired setting. If installing our CCT Selectable PLT-90326 offering, move the 3000K/3500K/4000K switch to your desired setting. (Figure 6 and Figure 7)
9. Secure the driver to the ceiling with screws (supplied by others).
10. Connect the safety cable (attached to the light engine) to a structural member within the ceiling.



Figure 6



Figure 7

11. Push the reflector and light engine into the ceiling cavity. The retaining clips attached to the mounting frame will keep the luminaire snug against the ceiling (Figure 8).
12. If retrofitting, attach the "Lamping Replacement Cautionary Label" in a visible location on the luminaire.

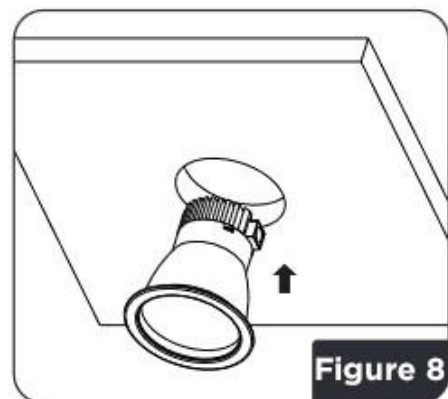


Figure 8



Trim Size

SKU	Trim Type	Recommended Hole Size
PLT-90328	6-inch Round	6.0" min to 6.7" max.
PLT-90329	8-inch Round	7.7" min to 8.4" max.
PLT-90330	10-inch Round	9.4" min to 10" max.

⚠ WARNING

- Before installing, servicing, or performing routine maintenance upon this equipment, follow these general precautions.
- To reduce the risk of death, personal injury, or property damage from fire, electric shock, falling parts, cuts/abrasions, and other hazards, read all warnings and instructions included with and on the fixture box and all fixture labels.
- Proper grounding is required to ensure safety.
- Power must be turned off at the breaker before installation or maintenance.
- This product must be installed in accordance with the applicable installation code by a person familiar with the construction and operation of the product and the hazards involved.
- Wear gloves and eye protection at all times while installing, servicing, or performing maintenance on the luminaire, and avoid direct eye exposure to the light source while it is on.
- To prevent wiring damage or abrasion, do not expose wiring to edges of sheet metal or other sharp objects.
- Do not install damaged product. Inspect luminaire for damage that may have occurred during transit. If damaged, contact the manufacturer immediately.
- These instructions do not purport to cover all details or variations in equipment nor to provide every possible contingency to meet in connection with installation, operation, or maintenance. Should further information be desired or should particular problems arise which are not covered sufficiently for the purchaser's or owner's purposes, contact the manufacturer.

⚠ ADVERTENCIA

- Antes de instalar, reparar o realizar el mantenimiento de rutina de este equipo, siga estas precauciones generales.
- Para reducir el riesgo de muerte, lesiones personales o daños a la propiedad por fuego, descarga eléctrica, caída de piezas, cortes / abrasiones y otros peligros, lea todas las advertencias y instrucciones incluidas con y en la caja del dispositivo y todas las etiquetas del dispositivo.
- Se requiere una conexión a tierra adecuada para garantizar la seguridad.
- Se debe apagar la energía en el disyuntor antes de la instalación o el mantenimiento.
- Este producto debe ser instalado de acuerdo con el código de instalación aplicable por una persona familiarizada con la construcción y operación del producto y los peligros involucrados.
- Utilice guantes y protección para los ojos en todo momento durante la instalación, el servicio o el mantenimiento de la luminaria, y evite la exposición directa de los ojos a la fuente de luz mientras está encendida.
- Para evitar daños o abrasiones en el cableado, no exponga el cableado a bordes de láminas de metal u otros objetos afilados.



COLOR/WATTAGE SELECTABLE LED DOWNLIGHT ENGINES & TRIMS

WARNING, CAUTION, SAFETY AND INSTALLATION INSTRUCTIONS

- No instale un producto dañado. Inspeccione la luminaria en busca de daños que puedan haber ocurrido durante el tránsito. Si está dañado, comuníquese con el fabricante de inmediato.
- Estas instrucciones no pretenden cubrir todos los detalles o variaciones en el equipo ni proporcionar todas las posibles contingencias a cumplir en relación con la instalación, operación o mantenimiento. Si desea obtener más información o si surgen problemas particulares que no están suficientemente cubiertos para los propósitos del comprador o propietario, comuníquese con el fabricante.