

Project Name:	Type:
Part Number:	Date:

# EXTERNAL DRIVER T8 (UL TYPE C)

## FEATURES

- Replaces 2' / 3' / 4' / U-Bend T8 fluorescent lamp
- Compatible with GREEN CREATIVE external drivers only
- Flicker Free (percent flicker and flicker index are less than three percent)
- Utilizes existing lamp holders – shunted or non-shunted
- Ultra-high efficacy up to 158 LPW
- Opaque glass lens reduces glare
- 310° wide light emitting area
- 0-10V dimming\* - dims to OFF with SelectDrive driver, dims to 10% with single wattage driver
- Field select from three lumen outputs using SelectDrive driver
- Suitable for single-ended installation with non-shunted lamp holders, as well as double-ended installation compatible with both existing shunted and non-shunted lamp holders
- Parallel output driver requires no minimum lamp load to operate properly
- Suitable for use in enclosed fixture and damp location
- Meets NSF Requirements (use of a shatter guard required)
- Fixture operating temperature: -4°F to 95°F (-20°C to 35°C)
- Lamp ambient temperature: -4°F to 113°F (-20°C to 45°C)
- Rated lifetime (L70) up to: 60,000hrs
- 5 year limited warranty\*\* / 10 year available (see EXTENDED WARRANTIES table for information)
- Suitable for all indoor general lighting applications
- NSF (National Sanitation Foundation) certified for Food Zone (Non-Contact), Splash, and Non-Food Zones



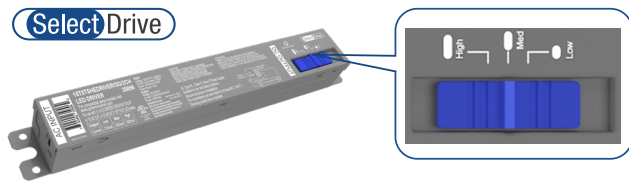
SCAN ME or Click Here

**DIGITAL NAVIGATION** Explore the spec sheet through the links below



<a href="#">SPECIFICATIONS</a>	<a href="#">DIMENSION &amp; WEIGHT</a>	<a href="#">INSTALLATION</a>
<a href="#">ACCESSORY ORDERING INFORMATION</a>	<a href="#">LOGISTIC INFORMATION</a>	
<a href="#">EXTENDED WARRANTIES</a>		
<a href="#">CERTIFICATION INFORMATION (DLC KITS REFERENCES)</a>		

## FOCUS FEATURE



Selectable Output			
Output	Low	Med	High
Current	210mA	250mA	300mA

## SPECIFICATIONS

EXTERNAL DRIVER												
Product	Model	Max. Lamp Quantity	Input Voltage	Input Freq. (Hz)	Max. Input Current (A)	Output Voltage (V)	Output Current (mA)	Dim	Max Case Temperature (°C/°F)	Power Factor	THD	
35896	15T8T5HEDRIVER/SD/2CH	2	120-277V	50/60	0.31	30-48VDC	300mA/250mA/210mA (+/-5%)*2	0-10V	90/194	0.9	<20%	
35897	15T8T5HEDRIVER/SD/4CH	4	120-277V	50/60	0.60	30-48VDC	300mA/250mA/210mA (+/-5%)*4	0-10V	90/194	0.9	<20%	
98259	15T8T5HEDRIVER/2CH/R	2	120-277V	50/60	0.31	30-48VDC	300mA (+/-5%)*2	0-10V	90/194	0.9	<20%	
98260	15T8T5HEDRIVER/4CH/R	4	120-277V	50/60	0.6	30-48VDC	300mA (+/-5%)*4	0-10V	90/194	0.9	<20%	

FOOTNOTES:  
 \* This lamp might not be compatible with all dimmers. Please visit [www.greencreative.com](http://www.greencreative.com) for compatibility information.  
 \*\* Please visit [www.greencreative.com](http://www.greencreative.com) for Limited Warranty terms.



# EXTERNAL DRIVER T8 (UL TYPE C)

## SPECIFICATIONS

### LAMP

Product	Model	Nominal Length	Equiv.	Wattage (W)	Lumens	CCT	Efficacy (LPW)	Life (hrs)	CRI	Beam Angle	DLC	DOE
35675	14T8/4F/835/EXT	4'	32W	14	2,000	3500K	143	60,000	82	220°	✓	✓
37126	14T8/4F/840/EXT/R	4'	32W	14	2,050	4000K	146	60,000	82	220°	✓	✓
37127	14T8/4F/850/EXT/R	4'	32W	14	2,050	5000K	146	60,000	82	220°	✓	✓
98331	11.5T8/4F/830/EXT	4'	32W	11.5	1,600	3000K	139	60,000	82	220°	✓	✓
37121	11.5T8/4F/830/EXT/R	4'	32W	11.5	1,600	3000K	139	60,000	82	220°	✓	✓
98332	11.5T8/4F/835/EXT	4'	32W	11.5	1,650	3500K	143	60,000	82	220°	✓	✓
98333	11.5T8/4F/840/EXT	4'	32W	11.5	1,700	4000K	148	60,000	82	220°	✓	✓
37123	11.5T8/4F/840/EXT/R	4'	32W	11.5	1,700	4000K	148	60,000	82	220°	✓	✓
37124	11.5T8/4F/850/EXT/R	4'	32W	11.5	1,700	5000K	148	60,000	82	220°	✓	✓
98329	10.5T8/3F/835/EXT	3'	25W	10.5	1,500	3500K	143	60,000	82	220°	✓	✓
98330	10.5T8/3F/840/EXT	3'	25W	10.5	1,600	4000K	152	60,000	82	220°	✓	✓
98326	9.5T8/2F/835/EXT	2'	17W	9.5	1,400	3500K	147	60,000	82	220°	✓	✓
98327	9.5T8/2F/840/EXT	2'	17W	9.5	1,500	4000K	158	60,000	82	220°	✓	✓
35671	9.5T8/2F/850/EXT	2'	17W	9.5	1,500	5000K	158	60,000	82	220°	✓	✓
98337	14.5T8U6/830/EXT	U-6	32W	14.5	2,000	3000K	138	60,000	82	220°	✓	✓
35461	14.5T8U6/835/EXT	U-6	32W	14.5	2,000	3500K	138	60,000	82	220°	✓	✓
98338	14.5T8U6/840/EXT	U-6	32W	14.5	2,000	4000K	152	60,000	82	220°	✓	✓

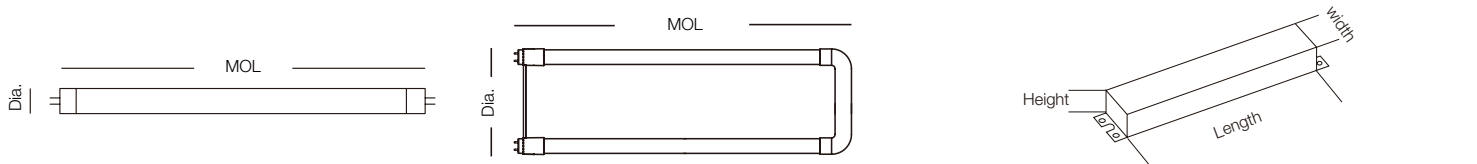
### LAMP & DRIVER SYSTEM

Product	Model	CCT	98259 15T8T5HEDRIVER/2CH/R				98260 15T8T5HEDRIVER/4CH/R			
			1 Lamp		2 Lamps		3 Lamps		4 Lamps	
			System Power	Lumens	System Power	Lumens	System Power	Lumens	System Power	Lumens
35675	14T8/4F/835/EXT	3500K	16	2,000	32	4,000	48	6,000	64	8,000
37126	14T8/4F/840/EXT/R	4000K	16	2,050	32	4,100	48	6,150	64	8,200
37127	14T8/4F/850/EXT/R	5000K	16	2,050	32	4,100	48	6,150	64	8,200
98331	11.5T8/4F/830/EXT	3000K	13	1,600	26	3,200	39	4,800	52	6,400
37121	11.5T8/4F/830/EXT/R	3000K	13	1,600	26	3,200	39	4,800	52	6,400
98332	11.5T8/4F/835/EXT	3500K	13	1,650	26	3,300	39	4,950	52	6,600
98333	11.5T8/4F/840/EXT	4000K	13	1,700	26	3,400	39	5,100	52	6,800
37123	11.5T8/4F/840/EXT/R	4000K	13	1,700	26	3,400	39	5,100	52	6,800
37124	11.5T8/4F/850/EXT/R	5000K	13	1,700	26	3,400	39	5,100	52	6,800
98328	10.5T8/3F/830/EXT	3000K	12.5	1,450	25	2,900	37.5	4,350	50	5,800
98329	10.5T8/3F/835/EXT	3500K	12.5	1,500	25	3,000	37.5	4,500	50	6,000
98330	10.5T8/3F/840/EXT	4000K	12.5	1,600	25	3,200	37.5	4,800	50	6,400
98326	9.5T8/2F/835/EXT	3500K	11	1,400	22	2,800	33	4,200	44	5,600
98327	9.5T8/2F/840/EXT	4000K	11	1,500	22	3,000	33	4,500	44	6,000
35671	9.5T8/2F/850/EXT	5000K	11	1,500	22	3,000	33	4,500	44	6,000
98337	14.5T8U6/830/EXT	3000K	17	2,000	34	4,000	51	6,000	68	8,000
35461	14.5T8U6/835/EXT	3500K	17	2,000	34	4,000	51	6,000	68	8,000
98338	14.5T8U6/840/EXT	4000K	17	2,200	34	4,400	51	6,600	68	8,800

### LAMP & SelectDrive EXTERNAL DRIVER LUMEN OUTPUT GUIDE

LED Lamp model	Lamp & Driver system lumen output (based on 4000K)					
	15T8T5HEDRIVER/SD/2CH 15T8T5HEDRIVER/SD/4CH					
	Low (Power)	Low (Lumens)	Med (Power)	Med (Lumens)	High (Power)	High (Lumens)
14T8/4F/8XX/EXT, 14T8/4F/xxx/EXT/R	9.8	1,400 lm	11.7	1,650 lm	14.0	2,050 lm
11.5T8/4F/8XX/EXT, 11.5T8/4F/xxx/EXT/R	8.1	1,150 lm	9.6	1,400 lm	11.5	1,700 lm
10.5T8/3F/8XX/EXT	7.4	1,000 lm	8.8	1,250 lm	10.5	1,600 lm
9.5T8/2F/8XX/EXT	6.7	1,000 lm	7.9	1,200 lm	9.5	1,500 lm
14.5T8U6/8XX/EXT	9.2	1,400 lm	11.2	1,700 lm	14.5	2,200 lm

## DIMENSION & WEIGHT



Model	Base	MOL	Dia.	Weight
9.5T8/2F/xxx/EXT	G13	23-3/4"	1-1/8"	0.26lb
10.5T8/3F/xxx/EXT	G13	35-3/4"	1-1/8"	0.4lb
11.5T8/4F/xxx/EXT	G13	47-3/4"	1-1/8"	0.49lb
11.5T8/4F/xxx/EXT/R	G13	47-3/4"	1-1/8"	0.49lb
14T8/4F/xxx/EXT	G13	47-3/4"	1-1/8"	0.49lb
14T8/4F/xxx/EXT/R	G13	47-3/4"	1-1/8"	0.49lb
14.5T8U6/xxx/EXT	G13	22-7/16"	7-1/16"	0.56lb

Model	Length	Width	Height	Weight
15T8T5HEDRIVER/SD/2CH	9-1/2"	1-5/16"	1-3/16"	1.0 lb
15T8T5HEDRIVER/SD/4CH				
15T8T5HEDRIVER/2CH/R				
15T8T5HEDRIVER/4CH/R				

Where xxx means 824-965 which indicates CRI and color temperature

Note: All rights reserved. All sizes and specifications are subject to change at any time without notice.



# EXTERNAL DRIVER T8 (UL TYPE C)

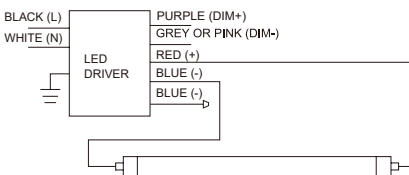
## INSTALLATION

### EXTERNAL LED DRIVER INSTALLATION

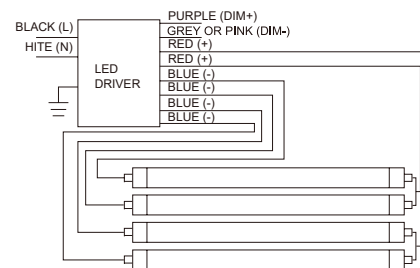
#### Double-ended Installation

- For shunted & non-shunted lamp holders
- Not polarity sensitive, lamps can be wired at either end

1 LAMP



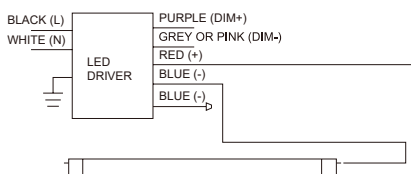
4 LAMPS



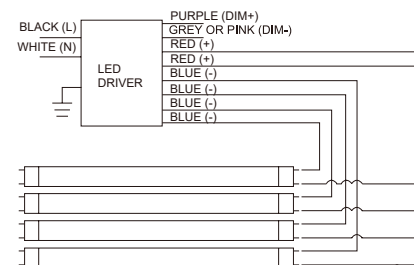
#### Single-ended Installation

- For non-shunted lamp holders only
- Not polarity sensitive, lamps can be wired at either end

1 LAMP

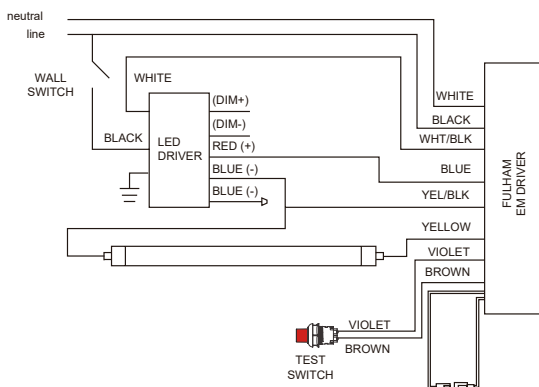


4 LAMPS

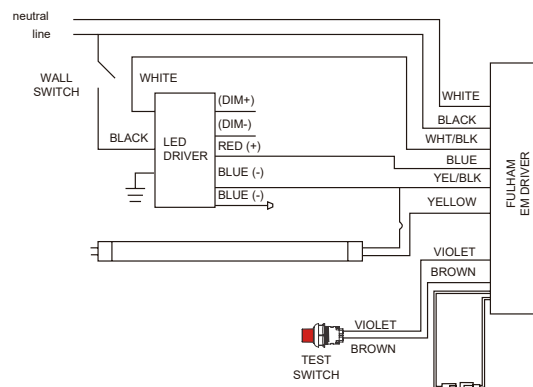


### FULHAM EMERGENCY DRIVER INSTALLATION

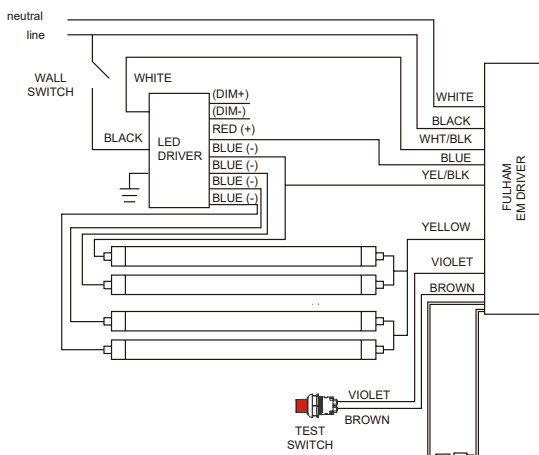
1 LAMP



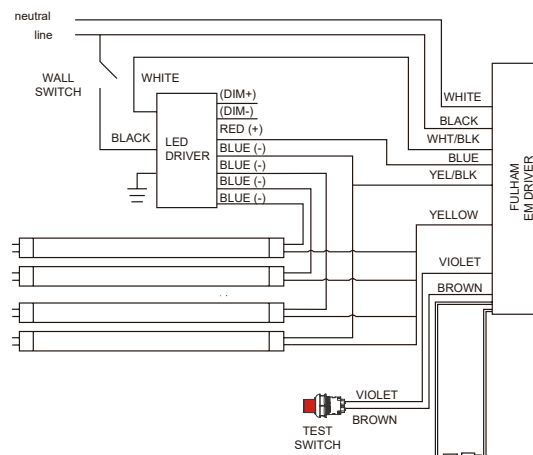
1 LAMP



4 LAMPS



4 LAMPS



Type	Model No	FULHAM EM DRIVER	
		Lumen output level at EM mode	
T8	9.5T8/2F/8XX/EXT	FHSCP-UNV-10.7WL	FHSCP-UNV-17WL
	10.5T8/3F/8XX/EXT	113%	-
	11.5T8/4F/8XX/EXT 11.5T8/4F/xxx/EXT/R	102%	-
	14T8/4F/8XX/EXT 14T8/4F/8XX/EXT/R	93%	-
	14.5T8U6/8XX/EXT	76%	117%
		74%	

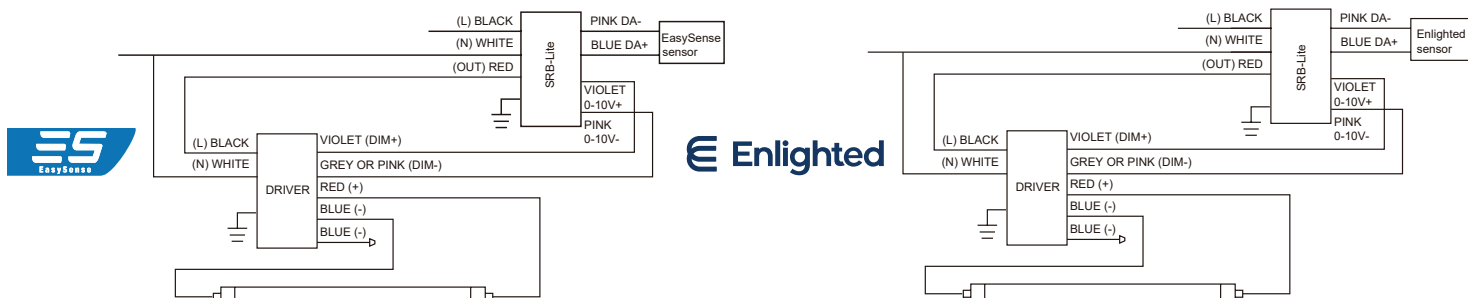
Note: All rights reserved. All sizes and specifications are subject to change at any time without notice.



# EXTERNAL DRIVER T8 (UL TYPE C)

## INSTALLATION

### CONTROL SYSTEM INSTALLATION



## ACCESSORY ORDERING INFORMATION

Product	Model	Description	Pictures	Dimensions
SRB-Lite	SRB-Lite	Xitanium SR bridge - SR/DALI compatible - Field installation and Wiring		
98518	PH-SNS2000CMP	Easy Sense Ceiling Mount Sensor (SNS200) - Field installation and Wiring		
KIT-SU-5E-D-CL	KIT-SU-5E-D-CL	Enlighted SU-5E Micro Sensor With 2-Wire Connection, Connected Lighting - Field installation and Wiring		
KIT-SU-5E-D-IL	KIT-SU-5E-D-IL	Enlighted SU-5E Micro Sensor With 2-Wire Connection, Enlighted One - Field installation and Wiring		
KIT-SU-5E-D-IOT	KIT-SU-5E-D-IOT	Enlighted SU-5E Micro Sensor With 2-Wire Connection, IoT Node - Field installation and Wiring		
HCMC-SU-5E	HCMC-SU-5E	Carrier for mounting KI-SU-5E-D Micro sensor in thick materials such as drywalls, ceiling tiles, plywood, etc - Field installation		



# EXTERNAL DRIVER T8 (UL TYPE C)

ACCESSORY ORDERING INFORMATION					
Product	Model	Description	Pictures	Dimensions	Compatible Skus
37934	8EMINVERTER	California Title 20 Compliant 8W Emergency LED Inverter (Field Installation)			9.5T8/2F/8xx/EXT 10.5T8/3F/8xx/EXT 11.5T8/4F/8xx/EXT 11.5T8/4F/8xx/EXT/R 14T8/4F/8xx/EXT 14T8/4F/8xx/EXT/R 14.5T8U6/8xx/EXT
38096	24EMINVERTER	California Title 20 Compliant 24W Emergency LED Inverter (Field Installation)			9.5T8/2F/8xx/EXT 10.5T8/3F/8xx/EXT 11.5T8/4F/8xx/EXT 11.5T8/4F/8xx/EXT/R 14T8/4F/8xx/EXT 14T8/4F/8xx/EXT/R 14.5T8U6/8xx/EXT
FHSCP-UNV-10.7WL	FHSCP-UNV-10.7WL	10.7W EM Driver 120-277V California Title 20 Compliant (Field Installation)			9.5T8/2F/8xx/EXT 10.5T8/3F/8xx/EXT 11.5T8/4F/8xx/EXT 14T8/4F/8xx/EXT 14.5T8U6/8xx/EXT 11.5T8/4F/8xx/EXT/R 14T8/4F/8xx/EXT/R
FHSCP-UNV-17WL	FHSCP-UNV-17WL	17W EM Driver 120-277V California Title 20 Compliant (Field Installation)			14.5T8U6/8xx/EXT

## LOGISTIC INFORMATION

Model	Master Carton			Shipping Carton		
	Case Qty	Case Dimensions (LxWxH)	Case Weight	Case Qty	Case Dimensions (LxWxH)	Case Weight
14T8/4F/8XX/EXT	N.A	N.A	N.A	25PCS	49-1/4" x 7-7/8" x 7-7/8"	14.6 lb
14T8/4F/8XX/EXT/R	N.A	N.A	N.A	25PCS	49-1/4" x 7-7/8" x 7-7/8"	13.67 lb
11.5T8/4F/8XX/EXT	N.A	N.A	N.A	25PCS	49-1/4" x 7-7/8" x 7-7/8"	14.6 lb
11.5T8/4F/8XX/EXT/R	N.A	N.A	N.A	25PCS	49-1/4" x 7-7/8" x 7-7/8"	13.67 lb
10.5T8/3F/8XX/EXT	N.A	N.A	N.A	25PCS	37-7/16" x 7-7/8" x 7-7/8"	11.24 lb
9.5T8/2F/8XX/EXT	N.A	N.A	N.A	25PCS	25" x 6-1/8" x 5"	5.73 lb
14.5T8U6/8XX/EXT	1	23-5/8" x 8-1/4" x 1-3/4"	1.12 lb	12PCS	24-7/16" x 17-1/8" x 10-5/8"	13.45 lb
15T8T5HEDRIVER/SD/2CH	6	9-7/8" x 5-5/8" x 2-3/4"	5.69 lb	24PCS	11-7/8" x 10-5/6" x 6-11/16"	22.82 lb
15T8T5HEDRIVER/SD/4CH	6	9-7/8" x 5-5/8" x 2-3/4"	6.22 lb	24PCS	11-7/8" x 10-5/6" x 6-11/16"	24.69 lb

xx - Refers to the CCT

## EXTENDED WARRANTIES\*\*

Model	Description***
9.5T8/2F/EXT/10YEARWARRANTY	10 Year warranty for 9.5T8/2F/8xx/EXT/yy
10.5T8/3F/EXT/10YEARWARRANTY	10 Year warranty for 10.5T8/3F/8xx/EXT/yy
11.5T8/4F/EXT/10YEARWARRANTY	10 Year warranty for 11.5T8/4F/8xx/EXT/yy
14T8/4F/EXT/10YEARWARRANTY	10 Year warranty for 14T8/4F/8xx/EXT/yy
14.5T8U6/EXT/10YEARWARRANTY	10 Year warranty for 14.5T8U6/8xx/EXT/yy

FOOTNOTES:  
 \*\* Warranty based on a maximum of 4,368 annual operating hours (per year for ten years) and exposure to a maximum fixture operating temperature of 80°F / 27°C.  
 \*\*\* xx - Refers to the CCT yy - Refers to model generations within the same nominal performance. Typically blank, 'R', or 'RC'



# EXTERNAL DRIVER T8 (UL TYPE C)

## CERTIFICATION INFORMATION (DLC KITS REFERENCES)

Model No. (DLC)	Lamp Model	Lamp Qty	External Driver Model	DLC Product ID
9.5T8/2F/830/EXT/A2/R	98325 9.5T8/2F/830/EXT	2	98259 15T8T5HEDRIVER/2CH/R	PLM8D0P0F40J
9.5T8/2F/830/EXT/A3/R		3	98260 15T8T5HEDRIVER/4CH/R	PLI2CYURPJJK
9.5T8/2F/830/EXT/A4/R		4		PLTI9O5OYXXP
9.5T8/2F/835/EXT/A2/R	98326 9.5T8/2F/835/EXT	2	98259 15T8T5HEDRIVER/2CH/R	PLGPR73K3M4F
9.5T8/2F/835/EXT/A3/R		3	98260 15T8T5HEDRIVER/4CH/R	PLAPZOXUMXIT
9.5T8/2F/835/EXT/A4/R		4		PL72NX2CJ10V
9.5T8/2F/840/EXT/A2/R	98327 9.5T8/2F/840/EXT	2	98259 15T8T5HEDRIVER/2CH/R	PLFTE8GCMPQM
9.5T8/2F/840/EXT/A3/R		3	98260 15T8T5HEDRIVER/4CH/R	PLL1ZDVYC90G
9.5T8/2F/840/EXT/A4/R		4		PLZ6P9IX9XET
10.5T8/3F/830/EXT/A2/R	98328 10.5T8/3F/830/EXT	2	98259 15T8T5HEDRIVER/2CH/R	PL74PJLNCZAX
10.5T8/3F/835/EXT/A2/R	98329 10.5T8/3F/835/EXT	2		PLN8BUPRXXUI
10.5T8/3F/840/EXT/A2/R	98330 10.5T8/3F/840/EXT	2		PL8BEF27978O
14T8/4F/840/EXT/RC/A2	37126 14T8/4F/840/EXT/R	2	98259 15T8T5HEDRIVER/2CH/R	S-58Z3IR
14T8/4F/840/EXT/RC/A3		3	98260 15T8T5HEDRIVER/4CH/R	S-PZB4XT
14T8/4F/840/EXT/RC/A4		4		S-HD7WKE
14T8/4F/850/EXT/RC/A2	37127 14T8/4F/850/EXT/R	2	98259 15T8T5HEDRIVER/2CH/R	S-T24AO3
14T8/4F/850/EXT/RC/A3		3	98260 15T8T5HEDRIVER/4CH/R	S-EGK4U
14T8/4F/850/EXT/RC/A4		4		S-LMGO9C
14T8/4F/840/EXT/A2/R	98335 14T8/4F/840/EXT	2	98259 15T8T5HEDRIVER/2CH/R	PLJEY782DG5H
14T8/4F/840/EXT/A3/R		3	98260 15T8T5HEDRIVER/4CH/R	PL577Q8YX12C
14T8/4F/840/EXT/A4/R		4		PL48C1A62CV5
14T8/4F/850/EXT/A2/R	98336 14T8/4F/850/EXT	2	98259 15T8T5HEDRIVER/2CH/R	PL1QQZ0JRVEX
14T8/4F/850/EXT/A3/R		3	98260 15T8T5HEDRIVER/4CH/R	PLWIB5CH1B3Q
14T8/4F/850/EXT/A4/R		4		PL001QHCVCL2
11.5T8/4F/830/EXT/RC/A2	37121 11.5T8/4F/830/EXT/R	2	98259 15T8T5HEDRIVER/2CH/R	S-IFE6Y3
11.5T8/4F/830/EXT/RC/A3		3	98260 15T8T5HEDRIVER/4CH/R	S-RCVEMF
11.5T8/4F/830/EXT/RC/A4		4		S-L145SF
11.5T8/4F/835/EXT/RC/A2	37122 11.5T8/4F/835/EXT/R	2	98259 15T8T5HEDRIVER/2CH/R	S-92UVRO
11.5T8/4F/835/EXT/RC/A3		3	98260 15T8T5HEDRIVER/4CH/R	S-ZAW14Q
11.5T8/4F/835/EXT/RC/A4		4		S-XIZTNB
11.5T8/4F/840/EXT/RC/A2	37123 11.5T8/4F/840/EXT/R	2	98259 15T8T5HEDRIVER/2CH/R	S-FJZM7Y
11.5T8/4F/840/EXT/RC/A3		3	98260 15T8T5HEDRIVER/4CH/R	S-AB78X1
11.5T8/4F/840/EXT/RC/A4		4		S-FQGVZ
11.5T8/4F/850/EXT/RC/A2	37124 11.5T8/4F/850/EXT/R	2	98259 15T8T5HEDRIVER/2CH/R	S-YNCF86
11.5T8/4F/850/EXT/RC/A3		3	98260 15T8T5HEDRIVER/4CH/R	S-10LA5T
11.5T8/4F/850/EXT/RC/A4		4		S-QM4D0Y
11.5T8/4F/830/EXT/A2/R	98331 11.5T8/4F/830/EXT	2	98259 15T8T5HEDRIVER/2CH/R	PL2SX5VMBI3V
11.5T8/4F/830/EXT/A3/R		3	98260 15T8T5HEDRIVER/4CH/R	PL5XI9LML290
11.5T8/4F/830/EXT/A4/R		4		PL56XHSX9YM3
11.5T8/4F/835/EXT/A2/R	98332 11.5T8/4F/835/EXT	2	98259 15T8T5HEDRIVER/2CH/R	PLH64RBZNOEA
11.5T8/4F/835/EXT/A3/R		3	98260 15T8T5HEDRIVER/4CH/R	PLW2CRRZ7MW3
11.5T8/4F/835/EXT/A4/R		4		PLNP1OT7W2T0
11.5T8/4F/840/EXT/A2/R	98333 11.5T8/4F/840/EXT	2	98259 15T8T5HEDRIVER/2CH/R	PLCLA8S3KXCX
11.5T8/4F/840/EXT/A3/R		3	98260 15T8T5HEDRIVER/4CH/R	PL9MLMV0UDK7
11.5T8/4F/840/EXT/A4/R		4		PL5VTYLAXX7X
11.5T8/4F/850/EXT/A2/R	98334 11.5T8/4F/850/EXT	2	98259 15T8T5HEDRIVER/2CH/R	PL5ZM032EK83
11.5T8/4F/850/EXT/A3/R		3	98260 15T8T5HEDRIVER/4CH/R	PL0J7C9IU8WZ
11.5T8/4F/850/EXT/A4/R		4		PLQTXUQNI33X



# EXTERNAL DRIVER T8 (UL TYPE C)

CERTIFICATION INFORMATION (DLC KITS REFERENCES)				
Model No. (DLC)	Lamp Model	Lamp Qty	External Driver Model	DLC Product ID
9.5T8/2F/8CCTS/EXT/SD/A2	9.5T8/2F/8CCTS/EXT	2	15T8T5HEDRIVER/SD/2CH	S-A4TCM2
9.5T8/2F/8CCTS/EXT/SD/A3		3	15T8T5HEDRIVER/SD/4CH	S-2Z5DC1
9.5T8/2F/8CCTS/EXT/SD/A4		4		S-9Q5EGK
10.5T8/3F/8CCTS/EXT/SD/A2	10.5T8/3F/8CCTS/EXT	2	15T8T5HEDRIVER/SD/2CH	S-CXYAPM
11.5T8/4F/8CCTS/EXT/A2	11.5T8/4F/8CCTS/EXT	2	15T8T5HEDRIVER/2CH/R	S-AHTCBD
11.5T8/4F/8CCTS/EXT/A3		3	15T8T5HEDRIVER/4CH/R	S-W8MVAY
11.5T8/4F/8CCTS/EXT/A4		4		S-KQ2MW0
11.5T8/4F/8CCTS/EXT/SD/A2		2	15T8T5HEDRIVER/SD/2CH	S-KDCTRP
11.5T8/4F/8CCTS/EXT/SD/A3		3	15T8T5HEDRIVER/SD/4CH	S-803GYW
11.5T8/4F/8CCTS/EXT/SD/A4		4		S-0KFHQ8
14T8/4F/8CCTS/EXT/SD/A2		14T8/4F/8CCTS/EXT	2	15T8T5HEDRIVER/2CH/R
14T8/4F/8CCTS/EXT/SD/A3	3		15T8T5HEDRIVER/4CH/R	S-Z5S06X
14T8/4F/8CCTS/EXT/SD/A4	4			S-ESTP32