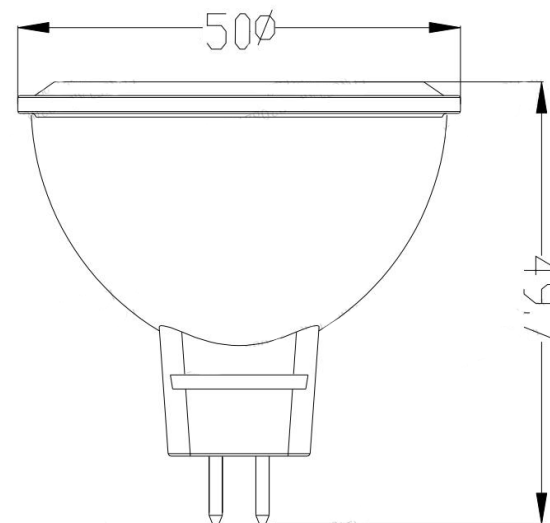




LED MR16s - GU5.3 Base

Ideal for track lights, landscape fixtures, and other similar fixtures with a GU5.3 base.

40° Beam Angle - Flood



Dimmable



Specifications

StockCode	Voltage	replaces W	Lumens	CCT	CRI	Lens	Lamp Base	Size(in)	Lifespan	Cert.
PLT-13328	12V	50W	530LM	2700K	90	Frosted	GU5.3	1.97*1.96	25000H	UL, Title 20, Title 24, JA8
PLT-13329	12V	50W	530LM	3000K	90	Frosted	GU5.3	1.97*1.96	25000H	UL, Title 20, Title 24, JA8
PLT-13330	12V	50W	530LM	4000K	90	Frosted	GU5.3	1.97*1.96	25000H	UL, Title 20, Title 24, JA8
PLT-13331	12V	50W	530LM	5000K	90	Frosted	GU5.3	1.97*49.7	25000H	UL, Title 20



Wattage: 7W



Base type: GU5.3



Voltage: 12V



CCT: 2700-5000K



Lumens: 530lm



CRI: 90



Dimmable: Yes



Lifetime: 25000H

Compatible Dimmer List

	transformer Dimmer	C60(induction transformer)	WACLIGHTING EN-1275-R-AR (electronic transformer)
13#	LUTRON DVELV-300P-WH	OK	OK
14#	LUTRON AYLV-600P-WH	OK	OK
159#	LEVITON DDE06-BLZ 600W	OK	OK