

High quality of light and color rendering (90+ CRI, 50+ R9),
with low flicker, flicker <30%,
Smooth dimming. Dimming lower than 10%.

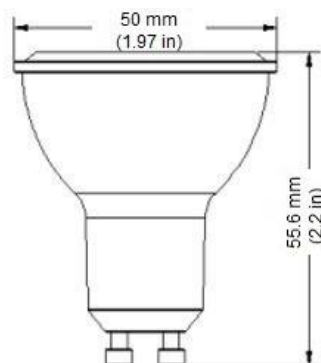


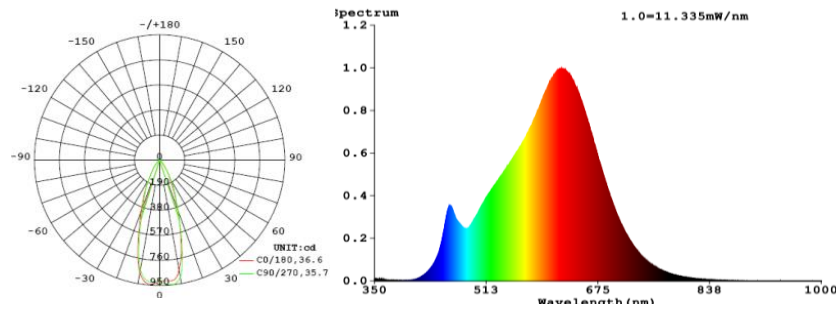
ELECTRICAL SPECIFICATIONS

MODEL NO.	LUMEN	POWER	CCT	BEAM	CRI	PF	CBCP
SE-RL5.CI02.1107G	450LM	7W	2700K	40°	>90	>0.9	958cd

MECHANICAL SPECIFICATIONS

MODEL NO.	MEASURES	WEIGHT	OPERATIONAL TEMPERATURE	INNER BOX QTY	MASTER CARTON QTY
SE-RL5.CI02.1107G	1.97in X 2.2in	1.93oz	-20°C - 40°C	10pcs	100pcs

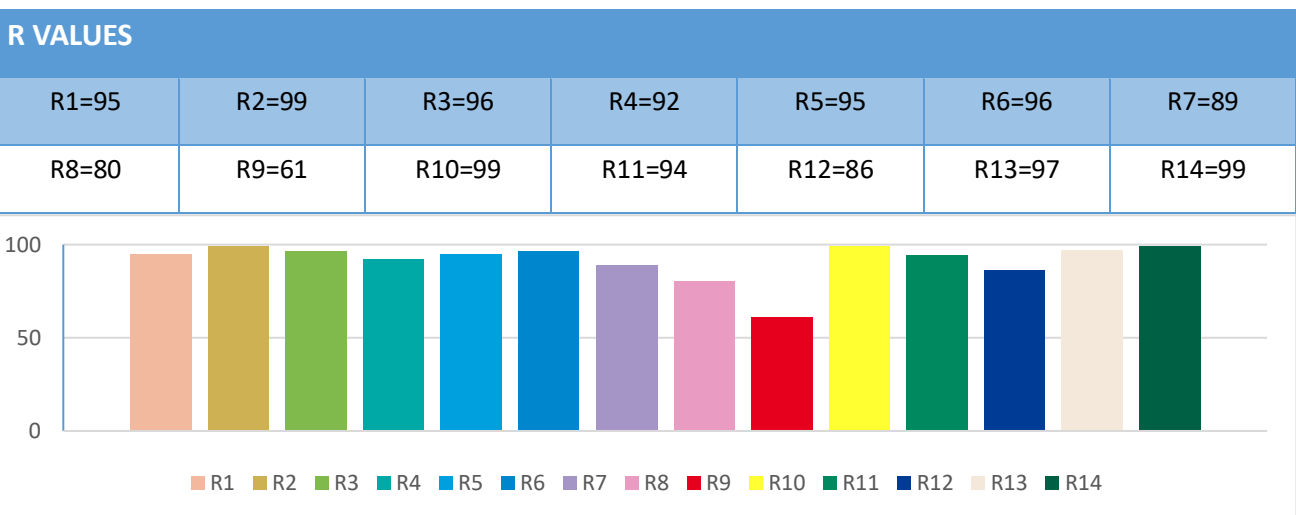




RA – CHART: >90

RA refers to the average value of R1 to R8.

R9 is the score that represents how accurately a light source will reproduce strong red colors. "Accurate" is defined as similarity to daylight or incandescent bulbs, depending on the color temperature.



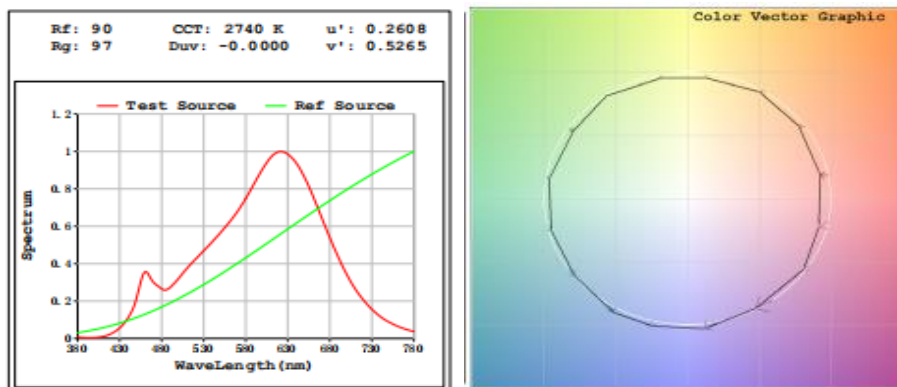
TM30 GRAPHIC

TM-30 deals with the color rendition of object.

R_f- a fidelity index that is similar to the commonly used CRI

R_g- a gamut index that provides information about saturation

Color vector graphic- a graphical representation of hue and saturation relative to a reference source.



90+ LIGHTING



MODEL	MR16 7W 450LM 2700K GU10
SKU	SE-RL5.CI02.1107G

DIMMER COMPATIBILITY LIST			
MANUFACTURER	BRAND	DIMMER MODEL	COMPATIBILITY
LUTRON	DIVA	DV-603P	OK
		DV-603PR	OK
		DV-600P-WH	OK
		DVELV-300P-WH	OK
		DVW-600PH-WH	NC
		DV-603PH-WH	OK
		DV-600PH-WH	OK
		D-600RH-DK	NC
		DVCL-153PH	OK
		DV-603PH-WH	OK
	DVCL-153P-WH	NC	
	-	S-600	OK
	LUMEA	LGCL-153CL	NC
	SKYLARK	CT-103P-WH	OK
		CTCL-153P-WH	NC
		S-600PR-WH	OK
		S-603P-WH	NC
		SELV-300P-WH	OK
		SLV-600-WH	OK
		S-603PGH-WH	OK
		S-600H-WH	OK
		S-10PH	NC
		SCL-153P-WH	NC
		S-600-IV	OK
		S-600-AL	NC
		S-603PH-WH	NC
		TGCL-153PH-WH	OK
		TGCL-153PLH-WH	OK
	TG-600PH-WH	OK	
	TG-600PH-IV	OK	
	MAW-600H-WH	NC	
	MAESTRO	MAELV-153M-WH	OK
		MAELV-600-WH	OK
		MAW-600H-AL	NC
	-	D-600PH-DK	OK
	-	MAW-600	NC
	-	D-600PH-3CK	NC
	DIVA C*L	DVWCL-153PH-WH	OK
	VIVE	MRF2S-6CL-WH	OK
	CASETA	PD-6WCL-WH	OK
SPACER	SPSELV-600M	OK	
NOVA T	NTELV-300-WH	OK	
	NTLV-600-277-WH	OK	
RADIO RA2	RRD-6CL-WH	OK	
ARIADNI	AYCL-153P-WH	OK	
-	D-600R-WH	OK	
-	D-600R-IV	NC	
LEVITON	DECORA	R62-6674-P0W	OK
	-	6683-IW	NC
	-	6631-LA	OK
	-	IPI06	NC
	-	S-600P-WH	NC
	-	6684	OK
	-	6683	NC
	-	NO.6672	NC
	-	603-6631-A	OK
	-	6631-A	OK
	-	NO.IPL06	NC
	-	IPI10-1LZ	NC
	-	6683-10Z	NC
	-	IPI06-1LZ	NC
	-	NO.6631	NC
	TOP	HCL453PTC	OK
	-	HCL453PW	OK
	AH	SDM/600	OK
GE	18024	NC	
ALMOND	LUXDM600-12	OK	

DIMMER COMPATIBILITY

OK	Dims to < 15%
OK	Dims to 15 - 30%
NC	Not Compatible

90+ LIGHTING NOTES

- 1) This dimmer compatibility chart is provided by 90+ Lighting as a guidance for selecting a dimmer and lamp combination.
 - 2) The results may be different for each application depending on the installation conditions.
 - 3) 90+ Lighting recommends to perform a previous test before the installation to verify the dimmer compatibility.
 - 4) We recommend using a 1/5 loading factor for incandescent dimmers when using with 90+ lamps.
- For example: a 400W dimmer should be loaded with a number of lamps whose combined power do not exceed 80W.