



DESCRIPTION

Improve outdoor security lighting by using this LED canopy fixture to replace metal halide fixtures with higher efficiency and longer-lasting operation.

FEATURES

- Delivers up to 168 LPW depending on the wattage and color temperature selected; see Selectable Table for a full breakdown
- Replaces up to 400W metal halide fixtures
- Pre-installed photocell for dusk to dawn lighting
- Pre-installed microwave photosensor allows fixture to turn on or off automatically depending on the activity detected in the area; see Photosensor Specifications for information on factory settings
- Optional remote control available to adjust motion sensor settings including light levels and daylight harvesting; remote must be less than 32.8 feet from the sensor/fixture that is being controlled; see PLT-13701 for more information
- Built in emergency driver operates up to 90 minutes during a power outage (PLT-13698 & PLT-13699 only); manual test switch with red indicator light on side of fixture
- 0-10V dimming
- Photocell can be turned on or off via switch on the side of the fixture (under watertight plug); see installation instructions for more information
- Wattage and color temperature are adjusted via switches on the side of the fixture (under watertight plug); see installation instructions for more information.

LISTINGS

- UL Listed for wet locations
- IC Rated
- RoHS
- FCC
- IP65
- IK10

PERFORMANCE

- CRI: >80
- CCT: 3000K, 4000K, 5000K
- Rated Lifetime L70: ≥54,000 hours
- Bridgelux SMD 2835 LEDs

ELECTRICAL

- THD: <20%
- Power Factor: >0.90
- Input Voltage: 120-277V
- Dimmable power supply (0-10V)
- Surge protection: 6kV

THERMAL

- -4°F to 113°F (-20°C to 45°C) operating temperature

Project name	Type
Catalog number	
Comments	Voltage
Approved by	Date



WARRANTY

- 5-year limited warranty; see pltsolutions.com for warranty details

APPLICATIONS

- Gas Stations
- Parking Garages
- Warehouses
- Factories
- Hospitals
- Hotels
- Offices

INSTALLATION

- Designed for pendant or surface mounting with J-box (not included); see installation instructions for more information

CONSTRUCTION

- Diecast aluminum housing with bronze finish
- Polycarbonate lens

EMERGENCY BACKUP (PLT-13689 & PLT-13699)

- Operation Time: 90 minutes
- Recharge Time: 24 Hours
- Output Power: 9W
- Output Lumens: 4000
- Battery Type: Lithium Iron Phosphate
- Testing: Manual Testing

PERFORMANCE SUMMARY

Item #	Shape	Watts*	CRI	CCT*	Lens	Dimming	Voltage	Replaces	EM Backup Operation Time	EM Recharge Time
PLT-13697	Square	24/32/40	>80	3000K/4000K/5000K	Polycarbonate	0-10V	120-277V	MH150	N/A	N/A
PLT-13698	Square	24/32/40	>80	3000K/4000K/5000K	Polycarbonate	0-10V	120-277V	MH150	90 Minutes	24 Hours
PLT-13699	Square	72/96/120	>80	3000K/4000K/5000K	Polycarbonate	0-10V	120-277V	MH400	90 Minutes	24 Hours

*See Selectable Table for full breakdown

SELECTABLE TABLE

SKU	Wattage	CCT	Lumens	LPW
PLT-13697 / PLT-13698	24W	3000K	3,823	159
		4000K	4,042	168
		5000K	4,032	168
	32W	3000K	4,992	156
		4000K	5,322	166
		5000K	5,250	164
	40W	3000K	5,861	147
		4000K	6,283	157
		5000K	6,148	154
PLT-13699	72W	3000K	11,322	157
		4000K	11,765	163
		5000K	11,632	162
	96W	3000K	14,764	154
		4000K	15,733	164
		5000K	15,133	158
	120W	3000K	17,651	147
		4000K	18,824	157
		5000K	18,684	156

PHOTOSENSOR SPECIFICATIONS

Input Voltage	12V DC
Input Current	≥25mA
Power Consumption	0.1 Watt
Dimming	0-10V
Mounting Height	6.56' Min. 26.25' Max.
Sensor Range	26.2' Min. 39' Max.
Coverage Range from Center = Radius	16.4' Max.
Default Setting*	<ul style="list-style-type: none"> • Sensitivity – 100% • Hold Time – 15min • Standby Dim - 50% • Standby Time – +∞ • Brightness – 100% • Daylight Sensing - OFF
Sensitivity (Detection Range) Settings**	25%, 50%, 75%, or 100%
Daylight Threshold (LUX) Settings**	Disable, 10lux, 25lux, 50lux, 100lux, 300lux, 600lux
Brightness**	Always-on mode: 10%-100% (100% default)
Standby Dim Settings**	0%, 20%, 30%, 50%
Stand-by Hold Time Settings**	5s, 30s, 1min, 5min, 15min, 30min, or +∞
IP Rating	IP20
Certification	UL

* Reset button returns sensor settings to preset mode, see PLT-13701 for more information

** Adjustable only with remote, see PLT-13701 for more information

ACCESSORIES

SKU	Description
PLT-13701	Motion Sensor Remote Control

DIMENSIONS

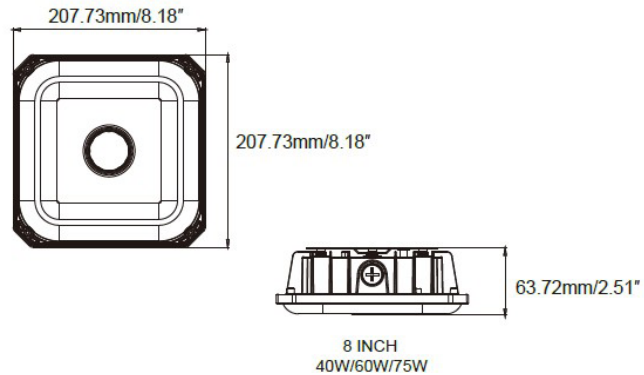
PLT-13697

Length – 8.18"

Width – 8.18"

Height – 2.51"

Weight – 3.66 lbs



PLT-13698 & PLT-13699

Length – 10.15"

Width – 10.15"

Height – 3.22"

Weight – 4.39 lbs

