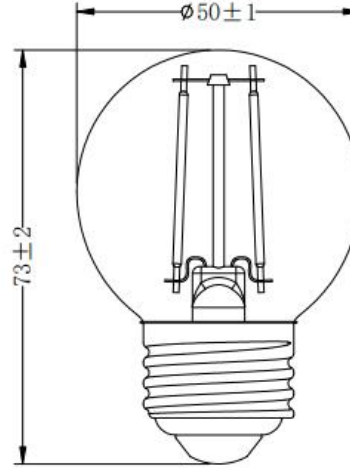




# LED G16 Filament Globe

Dimmable LED G16 Filament globe.

- White filaments



Wattage: 2.5W



Base type: E26



Voltage: 120V



CCT: 2700/3000K



Lumens: 250lm



CRI: 90



Dimmable: Yes



Lifetime: 15000H



Dimmable



glass



## Specifications

| StockCode | Voltage | replacesW | Lumens | CCT   | CRI | Lens  | Lamp Base | Size(in)  | Lifespan |
|-----------|---------|-----------|--------|-------|-----|-------|-----------|-----------|----------|
| PLT-13419 | 120V    | 25W       | 250lm  | 2700K | 90  | Clear | E26       | 1.97*2.87 | 15000H   |
| PLT-13420 | 120V    | 25W       | 250lm  | 3000K | 90  | Clear | E26       | 1.97*2.87 | 15000H   |

## Compatible Dimmer List

|    | NO.  | Dimmer Model #                       |    |
|----|------|--------------------------------------|----|
| 1  | 76#  | LUTRON MACL-153M-WH                  | OK |
| 2  | 96#  | LUTRON DVCL-153P-WH                  | OK |
| 3  | 112# | LUTRON PD-6WCL-WH-P                  | OK |
| 4  | 48#  | LEVITON WHITE NO.6674 600W           | OK |
| 5  | 33#  | LEVITON LIGH ALMOND NO.6672 600W     | OK |
| 6  | 41#  | LEVITON WHITE NO.IPL06 600W          | OK |
| 7  | 88#  | LUTRON MACL-153MH-WH                 | OK |
| 8  | 92#  | LUTRON TGCL-153P-WH                  | OK |
| 9  | 115# | LUTRON DVCL-153PR-WH                 | OK |
| 10 | 116# | LUTRON CTCL-153PDH-WH                | OK |
| 11 | 146# | P-PKG1W-WH-R                         | OK |
| 12 | 160# | ATON SAL06P3                         | OK |
| 13 | 138# | Leviton DW6HD-1BZ                    | OK |
| 14 | 142# | LUTRON P-PKG1W-WH                    | OK |
| 15 | 151# | LEVITON DSL06-001-1LZ                | OK |
| 16 | 153# | LEVITON IPL06-011-10Z                | OK |
| 17 | 154# | LEVITON 06674-002-10W                | OK |
| 18 | 155# | LEVITON TSM10-012-1LW                | OK |
| 19 | 156# | LEVITON RDL06-001-10Z                | OK |
| 20 | 157# | LEVITON DSE06-001-10Z                | OK |
| 21 | 158# | LEVITON DDMX1-011-BLZ                | OK |
| 22 | 159# | LEVITON DDE06-BLZ 600W               | OK |
| 23 | 130# | LEVITON SLIDE DIMMER SURESLIDE       | OK |
| 24 | 131# | LUTRON DIVA DVELV-300P-WH            | OK |
| 25 | 132# | LUTRON NLV-1000-LA                   | OK |
| 26 | 134# | LUTRON RADIORA2 RRD-6CL-WH           | OK |
| 27 | 111# | LUTRON MAELV-600-WH                  | OK |
| 28 | 122# | LEVITON SLIDE DIMMER                 | OK |
| 29 | 123# | LEVITON SLIDE DIMMER 3WAY            | OK |
| 30 | 124# | LUTRON CL DIMMER TOGGLER             | OK |
| 31 | 125# | LUTRON CASEFA WIRELESS               | OK |
| 32 | 126# | LUTRON DIVA CL                       | OK |
| 33 | 128# | SMART DIMMER MASTER 300W             | OK |
| 34 | 129# | LEVITON SLIDE NO.IPL06 R50-IPL06-10M | OK |