



# COLOR/WATTAGE SELECTABLE LED CANOPY FIXTURE W/ PHOTOCELL, SENSOR, & EMERGENCY BATTERY BACKUP

## WARNING, CAUTION, SAFETY AND INSTALLATION INSTRUCTIONS

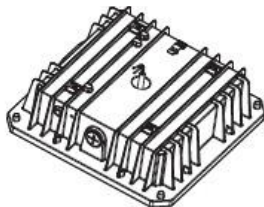
### WARNING

- Installation, service, and maintenance of luminaires should be performed by a qualified licensed electrician.
- Disconnect product and allow for cooling prior to servicing.

### CAUTION

- Do not make any alterations or modifications to this luminaire as it may cause personal injury, death, property damage, and/or fixture malfunction.
- This luminaire is designed to operate in ambient temperatures ranging from -40°C to 45°C (-40°F to 113°F).
- CONSULT A LICENSED ELECTRICIAN TO ENSURE CORRECT BRANCH CIRCUIT CONDUCTOR.

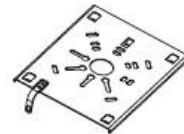
### Included Parts



Wiring nut \* 4pcs



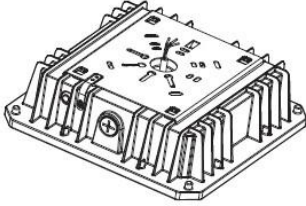
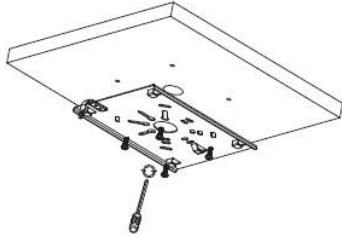
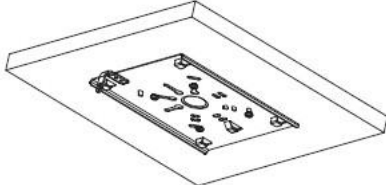
Screws\*4pcs



Mounting Plate

### Installation Instructions

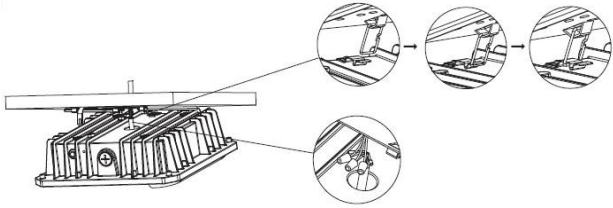
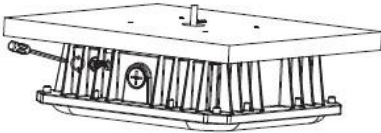
#### Surface Mount to Junction Box

<p>1. Select the desired CCT, wattage, and photocell operation prior to installing the fixture (see CCT, Wattage, Photocell Selection Guidance section). Remove the screws on the side to remove the mounting plate.</p>	
<p>2. Attach the mounting plate onto the ceiling with the included screws and pull the wiring through the center hole.</p>	
<p>3. After installing the mounting plate to the ceiling, use sealant along the edges.</p>	

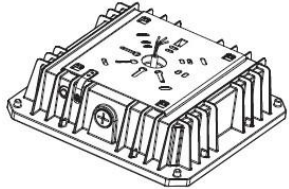
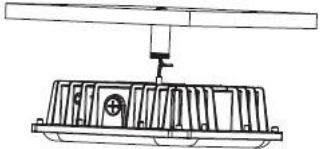
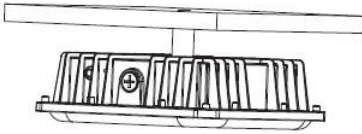


# COLOR/WATTAGE SELECTABLE LED CANOPY FIXTURE W/ PHOTOCELL, SENSOR, & EMERGENCY BATTERY BACKUP

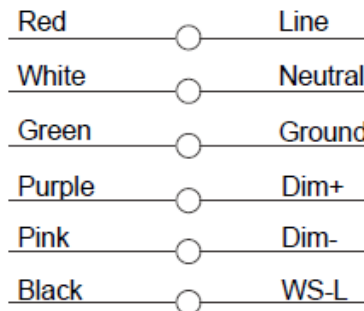
## WARNING, CAUTION, SAFETY AND INSTALLATION INSTRUCTIONS

<p>4. Locate the clip on the canopy housing and the buckle on the mounting plate. Hook the clip into the buckle. Press until canopy securely hangs in place.</p> <p>Ensure the power is OFF from the AC main breaker panel. Wire the fixture according to the wiring diagram (see Wiring Diagram section), then push all of the wiring into the junction box.</p> <p>If external dimming wiring is not required, leave the dimming caps in place.</p>	
<p>5. Insert the canopy housing into the mounting plate brackets, then reinsert the mounting plate screw until the canopy locks in place.</p>	

### Pendant Mount to 3/4" Conduit (Not Included)

<p>1. Select the desired CCT, wattage, and photocell operation prior to installing the fixture (see CCT, Wattage, Photocell Selection Guidance section). Remove the screws on the side to remove the mounting plate.</p>	
<p>2. Ensure the power is OFF from the AC main breaker panel. Wire the fixture according to the wiring diagram (see Wiring Diagram section), then push all of the wiring into the junction box.</p> <p>If external dimming wiring is not required, leave the dimming caps in place.</p>	
<p>3. Screw the fixture onto the 3/4" conduit post (not included) until securely in place.</p>	

### Wiring Diagram





# COLOR/WATTAGE SELECTABLE LED CANOPY FIXTURE W/ PHOTOCELL, SENSOR, & EMERGENCY BATTERY BACKUP

## WARNING, CAUTION, SAFETY AND INSTALLATION INSTRUCTIONS

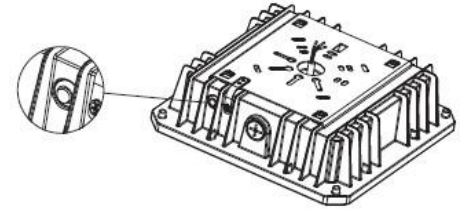
### Emergency Operation

#### LED Indicator & Test Switch

1. In mains power mode: Press to activate emergency mode; release to revert to mains power mode.
2. In emergency mode: Press and hold for 5 seconds to deactivate emergency mode.

LED indicator light ON: Charging

LED indicator light OFF: Emergency mode active

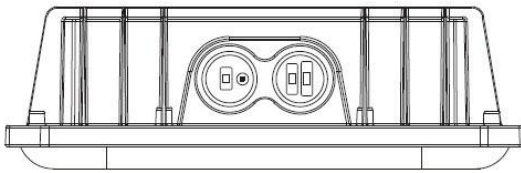


### CCT, Wattage, Photocell Selection Guidance

#### NOTICE:

- Ensure AC main power is OFF before making adjustments, then remove the plugs.
- Move the DIP switches up or down to the desired setting printed next to each switch.
- Reinsert plug, ensuring a tight fit for waterproofing purposes.

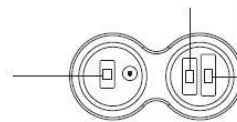
Default Settings: 5000K, MaxPower, Photocell ON



#### DIP Switch for Watt

PLT-13698 = 24W 32W 40W  
PLT-13699 = 72W 96W 120W

#### DIP Switch for Photocell



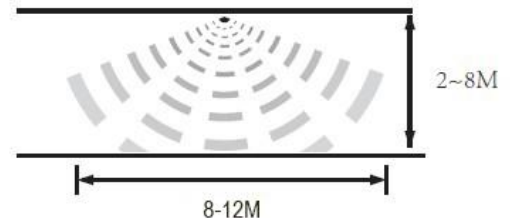
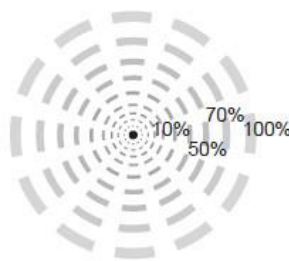
#### DIP Switch for CCT

3000K  
4000K  
5000K

### Motion Sensor

Optional Remote Control – PLT-13701

1. Brightness: 100%
2. Hold Time: 15 Minutes
3. Standby Dimming: 50%
4. Standby Hold Time: Infinity
5. Sensitivity: 100%
6. Daylight Sensing: Disabled
7. Detection Range: 8-12 Meters
8. Installation Height: 2-8 Meters



### ⚠ WARNING

- Before installing, servicing, or performing routine maintenance upon this equipment, follow these general precautions.
- To reduce the risk of death, personal injury, or property damage from fire, electric shock, falling parts, cuts/abrasions, and other hazards, read all warnings and instructions included with and on the fixture box and all fixture labels.



## COLOR/WATTAGE SELECTABLE LED CANOPY FIXTURE W/ PHOTOCELL, SENSOR, & EMERGENCY BATTERY BACKUP

### WARNING, CAUTION, SAFETY AND INSTALLATION INSTRUCTIONS

- Proper grounding is required to ensure safety.
- Power must be turned off at the breaker before installation or maintenance.
- This product must be installed in accordance with the applicable installation code by a person familiar with the construction and operation of the product and the hazards involved.
- Wear gloves and eye protection at all times while installing, servicing, or performing maintenance on the luminaire, and avoid direct eye exposure to the light source while it is on.
- To prevent wiring damage or abrasion, do not expose wiring to edges of sheet metal or other sharp objects.
- Do not install damaged product. Inspect luminaire for damage that may have occurred during transit. If damaged, contact the manufacturer immediately.
- These instructions do not purport to cover all details or variations in equipment nor to provide every possible contingency to meet in connection with installation, operation, or maintenance. Should further information be desired or should particular problems arise which are not covered sufficiently for the purchaser's or owner's purposes, contact the manufacturer.

### **⚠ ADVERTENCIA**

- Antes de instalar, reparar o realizar el mantenimiento de rutina de este equipo, siga estas precauciones generales.
- Para reducir el riesgo de muerte, lesiones personales o daños a la propiedad por fuego, descarga eléctrica, caída de piezas, cortes / abrasiones y otros peligros, lea todas las advertencias y instrucciones incluidas con y en la caja del dispositivo y todas las etiquetas del dispositivo.
- Se requiere una conexión a tierra adecuada para garantizar la seguridad.
- Se debe apagar la energía en el disyuntor antes de la instalación o el mantenimiento.
- Este producto debe ser instalado de acuerdo con el código de instalación aplicable por una persona familiarizada con la construcción y operación del producto y los peligros involucrados.
- Utilice guantes y protección para los ojos en todo momento durante la instalación, el servicio o el mantenimiento de la luminaria, y evite la exposición directa de los ojos a la fuente de luz mientras está encendida.
- Para evitar daños o abrasiones en el cableado, no exponga el cableado a bordes de láminas de metal u otros objetos afilados.
- No instale un producto dañado. Inspeccione la luminaria en busca de daños que puedan haber ocurrido durante el tránsito. Si está dañado, comuníquese con el fabricante de inmediato.
- Estas instrucciones no pretenden cubrir todos los detalles o variaciones en el equipo ni proporcionar todas las posibles contingencias a cumplir en relación con la instalación, operación o mantenimiento. Si desea obtener más información o si surgen problemas particulares que no están suficientemente cubiertos para los propósitos del comprador o propietario, comuníquese con el fabricante.