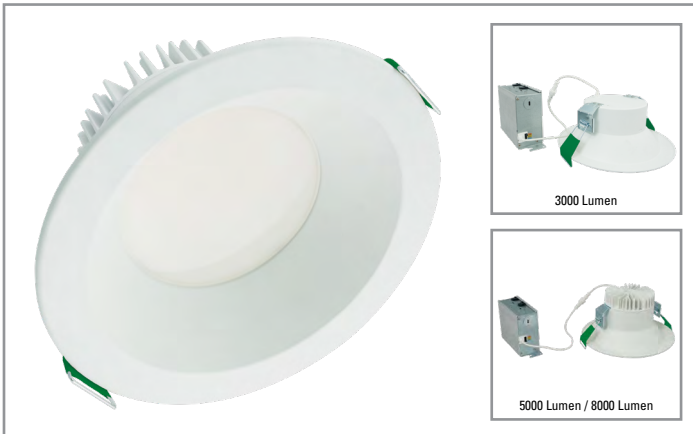


Project		Catalog #		Type	
Prepared by		Notes		Date	



HALO

LCR8

8-Inch Round Canless LED Downlight

Typical Applications

Residential • Multi-family • Mixed-Use

Interactive Menu

- Order Information page 2
- Product Specifications page 2
- Photometric Data page 3
- Energy & Performance Data page 3
- Product Warranty
- Dimming Guide

Product Certification



Refer to ENERGY STAR® Certified Products List.
Can be used to comply with California Title 24 High Efficacy requirements.
Certified to California Appliance Efficiency Database under JAB.

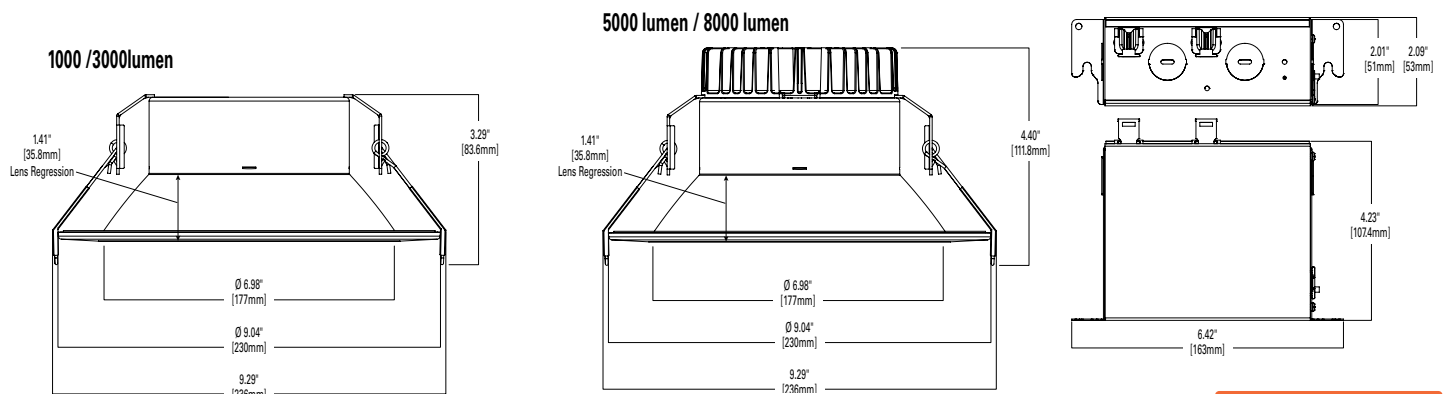
Product Features



Top Product Features

- Select from 6 CCTs via switch; 2700K, 3000K, 3500K, 4000K, 5000K, 6500K CCT; 90 CRI
- Up to 8000 Lumens non-IC marked spacing; up to 5000 Lumens IC
- Canless - does not require recessed housing or junction box
- Dimmable down to 5%, 0-10V for 3000 lm & above
- Dual Dim: 0-10V and Phase Cut, dimmable down to 5% for 1000lm version
 - 0-10V only, dimmable down to 5% for 3000lm and above
- Wet location listed for showers and protected ceilings

Dimensional and Mounting Details



[additional product diagrams](#)

Order Information*

SAMPLE ORDER NUMBER: **LCR830RD9FSE010**

Models	Lumens	Shape	CRI/CCT	Driver
LCR8 = 8" Canless LED Downlight ⁽¹⁾	10 = 1000 lumens (nominal) 30 = 3000 lumens (nominal) 50 = 5000 lumens (nominal) 80 = 8000 lumens (nominal)	RD = Round	9FS = 90 CRI minimum, field selectable CCT, choose 2700K, 3000K, 3500K, 4000K 5000K or 6500K CCT	E010 = UNV 120-277V, 50/60Hz, 0-10V analog 100% to 5% dimming ⁽¹⁾ E020 = UNV 120-277, 50/60Hz, Dual Dim with 0-10V and Phase Cut options for 100% to 5% dimming ⁽²⁾ E040 = UNV 120-277, 50/60Hz, Dual Dim with 0-10V and Phase Cut options for 100% to 5% dimming + Emergency battery with backup up to 90 minutes ⁽³⁾⁽⁴⁾
Notes 1. Product available in Matte White finish as standard.	Notes	Notes	Notes	Notes 1. E010: Option available for 3000lm, 5000lm & 8000lm versions only 2. E020: Option available for 1000lm version 3. E040: Provides Phase Cut, 0-10V dual dim with battery backup for 1000lm 4. E040: Provides 0-10V dim with battery backup for 3000lm and higher

Accessories		
Designer Trims LCR8TRMAH = 8" Haze, white flange LCR8TRMSC = 8" Specular, white flange LCR8TRMTBZ = 8" Tuscan bronze LCR8TRMWH = 8" Paintable white LCR8WVB = 8" White Baffle Trim LCR8BB = 8" Matte Black Baffle Trim	Overized Trim Ring OT810P = Oversize trim ring for 8" housings Mounting Frame HL8RSMF = 8" new construction mounting frame	Extension Cable seleCCTable Driver/Jbox HLB06BLEEC – 6 ft. extension cable HLB12BLEEC – 12 ft. extension cable HLB20BLEEC – 20 ft. extension cable

Product Specifications

Module

- Module construction includes LED Array, reflector, lens, housing and heat sink where applicable
- Integral aluminum heat sink provides passive thermal cooling achieving L70 at 50,000 hours in IC and non-IC applications
- LED module provides 1.41" lens regression

LED Array

- Mid power LED array provides a uniform source with high efficiency and no pixilation.
- 90 CRI minimum, R9 greater than 50
- Color accuracy within 3 SDCM at the CCT endpoints and 4 SDCM in between endpoints, provide color accuracy and uniformity.
- Correlated Color Temperature (CCT) has a selectable range from 2700K to 6500K (factory default 3000K)
- Use the switch to choose between 2700K, 3000K, 3500K, 4000K, 5000K and 6500K CCT

Optical Assembly

- Regressed flat lens provides uniformity, UGR ≤ 10
- Exceeds ENERGY STAR® color angular uniformity requirements

Remote Driver/Junction Box

- Metal driver/junction box with captive hinged junction box cover. Listed for (6) #12 AWG 90°C splice conductors, 2-in, 2-out plus (2) ground
- (4) 1/2" conduit pry-outs
- (2) Slide-N-Side™ non-metallic (NM) wire traps all accepts 14-2, 14-3, 12-2, 12-3 U.S and 14-2, 14-3, 12-2 Canadian NM cable
- (3) 4-port push wire nuts with clear caps for quick and reliable mains voltage connections
- Integral keyhole mounting slots facilitate direct mounting to building structure or new construction mounting frame

Driver

- Integral 120-277V, 50/60Hz constant current driver provides noise free operation
- Dual Dim with 0-10V and Phase Cut options for 100% to 5% dimming for 1000 lumen version
- 0-10V dimming for 3000 lumen & higher version
- Continuous, flicker-free dimmer from 100% to 5%
- Plenum rated inline electrical quick connect provides low voltage connection to fixture fitting

Installation

- Can be installed in 3/8" to 1-1/4" thick ceilings
- Cutout can utilize standard round hole saw sizes, cutout template provided
- Mousetrap springs hold fixture fitting securely in the ceiling eliminating light leaks
- Can be removed from below the ceiling for service or replacement

Mounting / Retention

- The LCR8 requires no housing or third party junction box
- The remote enclosure may be used in direct contact with insulation (except for 8000lm)
- Installer must cut template out of drywall and install into aperture with the clips compressed.
- When released, the mousetrap springs will rest on to the back side of the drywall
- Not for installation in recessed cans

Emergency Battery Backup

- Emergency battery backup only available in downlight versions, not available in wall wash versions
- Emergency battery backup up to 90 minutes
- Emergency battery backup light will be at 6500K CCT
- Emergency battery backup is a separate battery junction box provided with unit.

Compliance

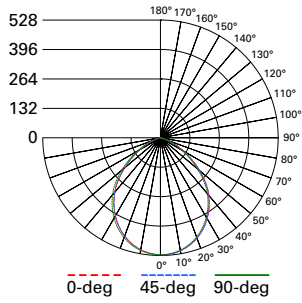
- UL Certified for US and Canada, type IC suitable for direct contact with air permeable insulation
- Not for use in direct contact with spray foam insulation, reference NEMA LSD57-2013
- Wet location listed and IP64 ingress protection rated, covered ceiling only
- Airtight per ASTM-E283-04
- Suitable for use in clothes closets when installed in accordance with the NEC 410.16 spacing requirements
- EMI/RFI emissions per FCC 47CFR Part 15 consumer limits, CAN ICES-005(B)/NMB-005 (B)
- Contains no mercury or lead and RoHS compliant
- Photometric testing in accordance with IES LM-79-08
- Lumen maintenance projections in accordance with IES LM-80-08 and TM-21-11
- Can be used for State of California Title 24 high efficacy LED compliance under JA8, reference Modernized Appliance Efficiency Database System (MAEDBS) for 2019 JA8 High Efficacy Lighting
- ENERGY STAR® certified, reference "Certified Light Fixtures" database (does not apply to EM versions)

Warranty

- Five year limited warranty, consult website for details. www.cooperlighting.com/warranty

Photometric Data

[View IES files](#)



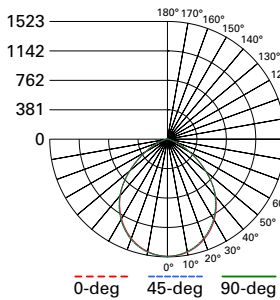
LCR810RD9FSE020-12W-3000K

Spacing criterion:
 (0-180) 1.17 | (90-270) 1.18 | (Diagonal) 1.26
 Beam Angle: 93°
 Field Angle: 137°
 Lumens: 1090
 Input Watts: 12.1 W
 Efficacy: 90.1 LPW
 UGR: 18
 Test Report: P640204

Zonal Lumen	Lumens	% Lumens
0-30	397	36.4
0-40	632	57.9
0-60	995	91.3
0-90	1089	99.9

TM-30-15	Rf = 92
	Rg = 104
CRI/CIE	Ra = 93
	R9 = 87.4

CCT - Range of 2700K- 6500K



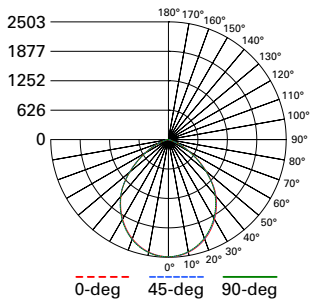
LCR830RD9FSE010-33W-3000K

Spacing criterion:
 (0-180) 1.14 | (90-270) 1.15 | (Diagonal) 1.22
 Beam Angle: 93°
 Field Angle: 136°
 Lumens: 3150
 Input Watts: 33.1 W
 Efficacy: 95.2 LPW
 UGR: 21
 Test Report: P640216

Zonal Lumen	Lumens	% Lumens
0-30	1148	36.4
0-40	1828	58
0-60	2880	91.4
0-90	3148	99.9

TM-30-15	Rf = 92
	Rg = 104
CRI/CIE	Ra = 93
	R9 = 87.3

CCT - Range of 2700K- 6500K



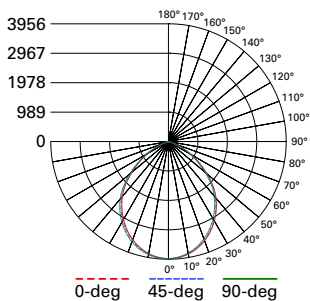
LCR850RD9FSE010-50W-3000K

Spacing criterion:
 (0-180) 1.17 | (90-270) 1.17 | (Diagonal) 1.26
 Beam Angle: 93°
 Field Angle: 137°
 Lumens: 5180
 Input Watts: 49.9 W
 Efficacy: 103.8 LPW
 UGR: 23
 Test Report: P640228

Zonal Lumen	Lumens	% Lumens
0-30	1877	36.2
0-40	2986	57.6
0-60	4723	91.2
0-90	5176	99.9

TM-30-15	Rf = 92
	Rg = 104
CRI/CIE	Ra = 93
	R9 = 88.1

CCT - Range of 2700K- 6500K



LCR880RD9FSE010-92W-3000K

Spacing criterion:
 (0-180) 1.16 | (90-270) 1.17 | (Diagonal) 1.26
 Beam Angle: 93°
 Field Angle: 137°
 Lumens: 8155
 Input Watts: 91.8 W
 Efficacy: 88.8 LPW
 UGR: 24
 Test Report: P640240

Zonal Lumen	Lumens	% Lumens
0-30	2954	36.2
0-40	4693	57.5
0-60	7431	91.1
0-90	8148	99.9

TM-30-15	Rf = 92
	Rg = 102
CRI/CIE	Ra = 93
	R9 = 79.5

CCT - Range of 2700K- 6500K



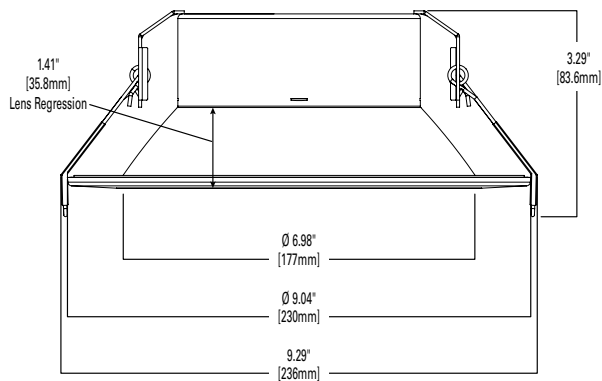
Note: Refer to IES files for more product data.

Energy and Performance Data

LCR8 - 1000 Lumen Downlight			LCR8 - 3000 Lumen Downlight		LCR8 - 5000 Lumen Downlight		LCR8 - 8000 Lumen Downlight	
	UNV	120V		UNV		UNV		UNV
Lumens	1000	1000	Lumens	3000	Lumens	5000	Lumens	8000
Input Voltage	120-277	120	Input Voltage	120-277	Input Voltage	120-277	Input Voltage	120-277
Input current	0.11A	0.11 A	Input current	0.3A	Input current	0.49A	Input current	1.1A
Input Power	12.5W	12.5W	Input Power	34W	Input Power	51W	Input Power	92W
Efficiency	78.00%	78.00%	Efficiency	86.00%	Efficiency	86.00%	Efficiency	85.00%
Inrush(A)	2	1	Inrush(A)	5	Inrush(A)	5	Inrush(A)	45
THD	<20%	<20%	THD	<20%	THD	<20%	THD	<20%
PF	>0.9	>0.9	PF	>0.9	PF	>0.9	PF	>0.9
Sound Rating	<22dB	<22dB	Sound Rating	<22dB	Sound Rating	<22dB	Sound Rating	<22dB

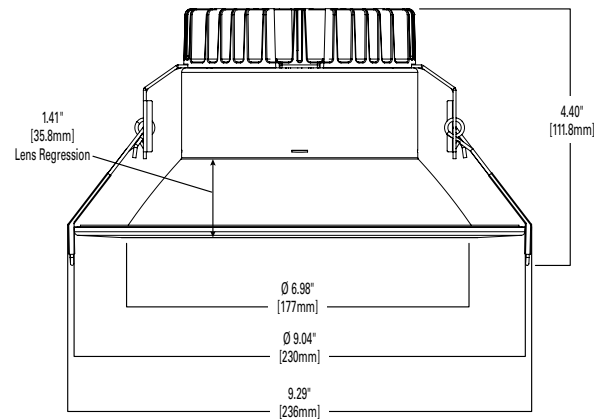
Dimensional Details

1000 /3000lumen

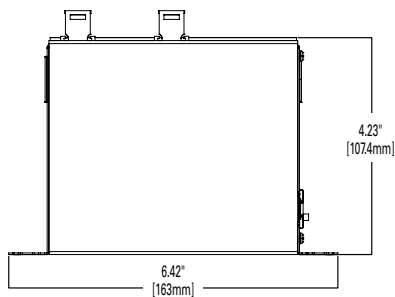
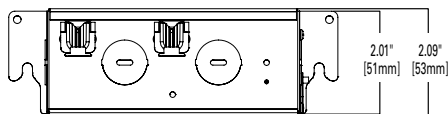


8" round cutout

5000 lumen / 8000 lumen



8" round cutout



Emergency Battery Backup

