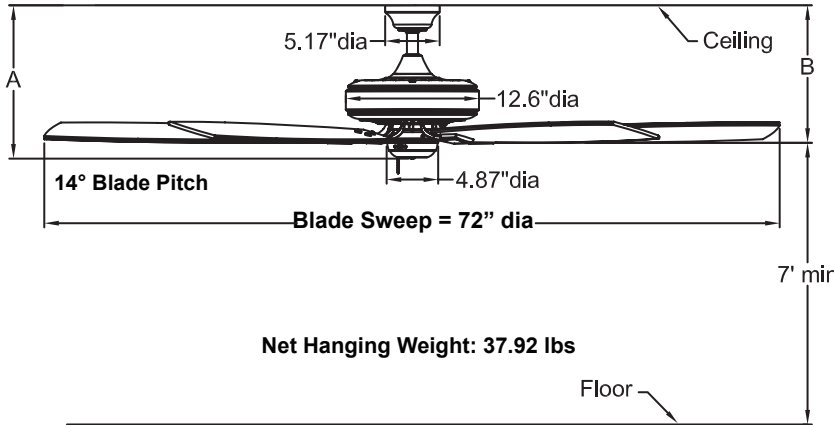




EDGEWOOD® SERIES

TF721 ** Supreme Fan



	A	B
Fan w/4.5" downrod	14.51"	13.01"
Fan w/12" downrod	22.01"	20.51"
Fan w/18" downrod	28.01"	26.51"
Fan w/24" downrod	34.01"	32.51"
Fan w/36" downrod	46.01"	44.51"
Fan w/48" downrod	58.01"	56.51"
Fan w/60" downrod	70.01"	68.51"
Fan w/72" downrod	82.01"	80.51"

INSTALLATION REQUIREMENTS:

Fan must be attached to a securely anchored electrical junction box capable of withstanding a load of at least 50 lbs.

ELECTRICAL REQUIREMENTS:

Requires a grounded electrical supply line of 120 volts AC, 60 Hz, 15 amp circuit.

MOTOR SPECS:

212 x 35 motor is designed for optimal performance with this fan. Fan is Energy Star Rated.

BLADES:

A set of five 32" reversible traditional wood blades is included.

CONTROL OPTIONS:

Optional CW1, CW1SW, CW2, CW5 and CWRL4 wall controls, and CRL4WH and CRL8TS remote controls (with receiver units) are available—sold separately. Instructions are provided with each control.

LIGHTING OPTIONS:

Optional lighting fitters and light kits are available. See our catalog or visit www.fanimation.com for available lighting options.

DOWNROD OPTIONS:

Fan comes with 1" dia. x 4.5" long downrod. Optional downrods available in 12", 18", 24", 36", 48", 60", and 72" lengths. A downrod coupler is available for installations requiring a downrod longer than 72". Fan can be mounted on a sloped ceiling up to 30°. Optional close-to-ceiling kit is available as well-sold separately. Call technical support for more information.

LOCATION USE:

Fan is rated for dry locations only.

Available Finishes		
Fan / Housing Assembly	Blades - Traditional	
SN	Satin nickel	Walnut / light walnut
TS	Tortoise shell	Walnut / light walnut
WH	White	White / white oak

Airflow / Energy Efficiency Info (120V)					
Fan Speed	Max RPM	CFM	CFM / Watts	Amps	Watts
High	113	9689	107	0.77	90.4
Med	77	6791	154	0.53	44.0
Low	47	4055	217	0.34	18.7