



**DESCRIPTION**

Add stylish, contemporary lighting with minimal effort with these 1x1 surface mount LED panels. Unlike traditional LED panels that require a grid ceiling, these fixtures mount directly to dry wall ceilings.

**FEATURES**

- Edge-lit design allows for an overall slimmer design that eases the installation process and modernizes the space
- Total depth of only 0.98-inches; includes the driver box
- 0-10V dimming

**LISTINGS**

- UL rated for damp locations

**PERFORMANCE**

- CRI: 80
- CCT: 4000K or 5000K
- LED L70 Life Hours: 50,000

**THERMAL**

- -4°F to 104°F (-20°C to 40°C) operating temperature

**ELECTRICAL**

- THD: <20%
- Power Factor: >0.9
- Input Voltage: 120-277V
- Surge Protection: 1kV
- Dimmable power supply (0-10V)

**INSTALLATION**

- Designed for surface mounting (mounting accessories included); See installation instructions for more information on how to install these fixtures.

**CONSTRUCTION**

- Aluminum housing with white or black finish
- PMMA lens protects LEDs while evenly distributing light

<b>Project name</b>	<b>Type</b>
<b>Catalog number</b>	
<b>Comments</b>	<b>Voltage</b>
<b>Approved by</b>	<b>Date</b>



**WARRANTY**

- 5-year limited warranty; see [pltsolutions.com](http://pltsolutions.com) for warranty details

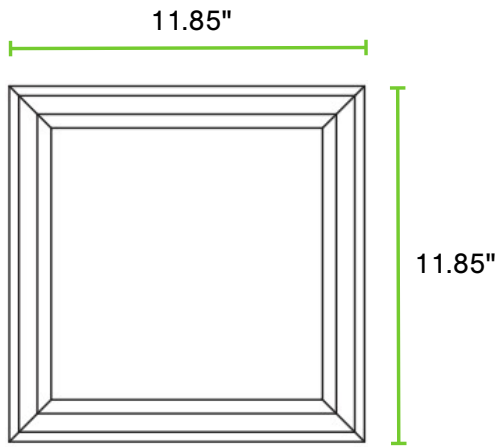
**APPLICATIONS**

- Offices
- Hallways
- Classrooms
- Multipurpose Areas
- Conference Rooms

## PERFORMANCE SUMMARY

Item #	Size	Watts	Lumens	LPW	CCT	CRI	Dimming	Voltage	Finish
PLT-90463	1x1	18	1888	105	4000K	80	0-10V	120-277V	White
PLT-90464	1x1	18	1942	108	5000K	80	0-10V	120-277V	White
PLT-90465	1x1	18	1834	102	4000K	80	0-10V	120-277V	Black
PLT-90466	1x1	18	1887	105	5000K	80	0-10V	120-277V	Black

## DIMENSIONS



### **DIMENSIONS**

Length: 11.85"

Height: 0.98"

Width: 11.85"

Weight: 1.09 lbs

