



# Wattage and Color Selectable LED Vapor Tight Fixture

## DESCRIPTION

Replace existing fluorescent vapor tight fixtures with these wattage and color selectable LED vapor tight fixtures to reduce energy and maintenance costs.

## FEATURES

- Delivers up to 141 LPW; output will vary depending on the wattage selected, see Selectable Table for full breakdown
- Efficiently replaces 2, 3, 4, or 6 lamp fluorescent fixtures
- IP65 rated, meaning that the fixture is built to restrict the entry of dust as much as possible and it is protected from being sprayed with water jets without being damaged
- 0-10V dimming
- Wattage and color temperature are adjusted via dip switches on the driver; see installation instructions for more details

## LISTINGS

- UL rated for wet locations
- IP65
- RoHS
- NSF/ANSI 2 – Splash and Non Food Zone
- DesignLights Consortium® 5.1 Standard - meets the requirements for the highest DLC qualification for efficacy and lumen maintenance

## PERFORMANCE

- CRI: >80
- CCT: 3500K, 4000K, and 5000K
- Rated Lifetime L70: 100,000 hours
- Seoul Semiconductor LEDs

## THERMAL

- PLTS-40045, PLT-80067 – PLT-80069, PLT-80094:
  - -40°F to 122°F (-40°C to 50°C) operating temperature
- PLTS-40075, PLTS-40077, PLTS-40079, PLT-80070, PLT-80086:
  - Surface Mounted: -40°F to 104°F (-40°C to 40°C)
  - Suspended at least 18" from Ceiling: -40°F to 113°F (-40°C to 45°C)

## ELECTRICAL

- THD: < 20%
- Power Factor: >0.9
- Input Voltage: 120-277V
- Dimmable power supply (0-10V)

## INSTALLATION

- Designed for surface mounting (mounting hardware included) or suspended mounting with included V-hooks (chain sold separately); see installation instructions for more information

Project name	Type
Catalog number	
Comments	Voltage
Approved by	Date



## WARRANTY

- 5-year limited warranty; see [pltsolutions.com](http://pltsolutions.com) for warranty details

## APPLICATIONS

- Utility Lighting
- Stairwell Lighting
- Parking Garages
- Hallways

## CONSTRUCTION

- Polycarbonate resin housing with gray finish and steel latches
- Polycarbonate lens protects LEDs while evenly distributing light

## PERFORMANCE SUMMARY

Item #	Watts*	CCT*	CRI	Dimming	Voltage	Replaces	Length	NSF	DLC #	DLC Level
PLTS-40045	25/30/34	3500K/4000K/5000K	>80	0-10V	120-277V	2 Lamp Fluorescent	4'	No	PLTM246142	5.1 Standard
PLTS-40075	15/20/25	3500K/4000K/5000K	80+	0-10V	120-277V	2 Lamp Fluorescent	2'	Yes	PLTM92A142	5.1 Standard
PLTS-40077	25/30/34	3500K/4000K/5000K	80+	0-10V	120-277V	2 Lamp Fluorescent	4'	No	PLTM946142	5.1 Standard
PLTS-40079	34/38/45	3500K/4000K/5000K	80+	0-10V	120-277V	2 or 3 Lamp Fluorescent	4'	Yes	PLTM947142	5.1 Standard
PLT-80067	34/38/45	3500K/4000K/5000K	>80	0-10V	120-277V	2 or 3 Lamp Fluorescent	4'	Yes	PLTM247142	5.1 Standard
PLT-80068	38/46/54	3500K/4000K/5000K	>80	0-10V	120-277V	4 Lamp Fluorescent	8'	Yes	PLTM288142	5.1 Standard
PLT-80069	65/75/90	3500K/4000K/5000K	>80	0-10V	120-277V	4 or 6 Lamp Fluorescent	8'	Yes	PLTM289142	5.1 Standard
PLT-80070	44/64/75	3500K/4000K/5000K	>80	0-10V	120-277V	4 Lamp Fluorescent	4'	Yes	PLTM94B142	5.1 Standard
PLT-80086	25/30/34	3500K/4000K/5000K	80+	0-10V	120-277V	2 Lamp Fluorescent	4'	Yes	PLTM946142	5.1 Standard
PLT-80094	25/30/34	3500K/4000K/5000K	>80	0-10V	120-277V	2 Lamp Fluorescent	4'	No	PLTM246142	5.1 Standard

\*See Selectable Table for full breakdown

## SELECTABLE TABLE

SKU	Wattage	CCT	Lumen	Efficacy
PLTS-40045	25	3500K	3450	138
		4000K	3475	139
		5000K	3500	140
	30	3500K	4080	136
		4000K	4110	137
		5000K	4140	138
	34	3500K	4522	133
		4000K	4556	134
		5000K	4590	135
PLTS-40075	15	3500K	2040	136
		4000K	2055	137
		5000K	2070	138
	20	3500K	2660	133
		4000K	2680	134
		5000K	2700	135
	25	3500K	2350	130
		4000K	3275	131
		5000K	3300	132
PLTS-40077 PLT-80086	25	3500K	3400	136
		4000K	3425	137
		5000K	3450	138
	30	3500K	3990	133
		4000K	4020	134
		5000K	4050	135
	34	3500K	4420	130
		4000K	4454	131
		5000K	4488	132

# SELECTABLE TABLE

SKU	Wattage	CCT	Lumen	Efficacy
PLTS-40079	38	3500K	5168	136
		4000K	5206	137
		5000K	5244	138
	46	3500K	6118	133
		4000K	6164	134
		5000K	6210	135
	54	3500K	7020	130
		4000K	7074	131
		5000K	7128	132
PLT-80067	34	3500K	4658	137
		4000K	4692	138
		5000K	4726	139
	38	3500K	5092	134
		4000K	5130	135
		5000K	5168	136
	45	3500K	5850	130
		4000K	5895	131
		5000K	5940	132
PLT-80068	38	3500K	5282	139
		4000K	5320	140
		5000K	5358	141
	46	3500K	6256	136
		4000K	6302	137
		5000K	6348	138
	54	3500K	7074	131
		4000K	7128	132
		5000K	7182	133
PLT-80069	65	3500K	8905	137
		4000K	8970	138
		5000K	9035	139
	75	3500K	10,050	134
		4000K	10,125	135
		5000K	10,200	136
	90	3500K	11,700	130
		4000K	11,790	131
		5000K	11,880	132
PLT-80070	44	3500K	5984	136
		4000K	6028	137
		5000K	6072	138
	64	3500K	8512	133
		4000K	8576	134
		5000K	8640	135
	75	3500K	9750	130
		4000K	9825	131
		5000K	9900	132
PLT-80094	25	3500K	3324	133
		4000K	3490	140
		5000K	3395	136
	30	3500K	3970	132
		4000K	4169	139
		5000K	4055	135
	34	3500K	4514	133
		4000K	4575	135
		5000K	4552	134

## DIMENSIONS

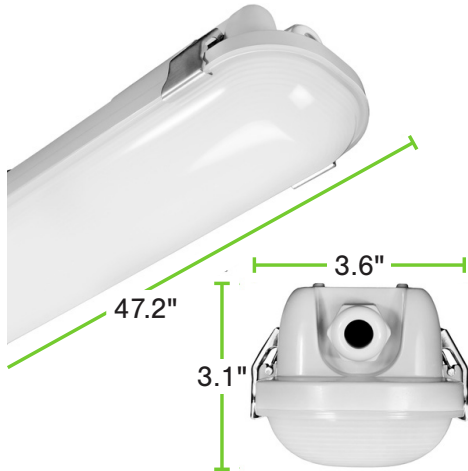
### **PLTS-40045, PLT-80067, PLT-80094 DIMENSIONS**

Length: 47.2"

Height: 3.1"

Width: 3.6"

Weight: 4.4 lbs



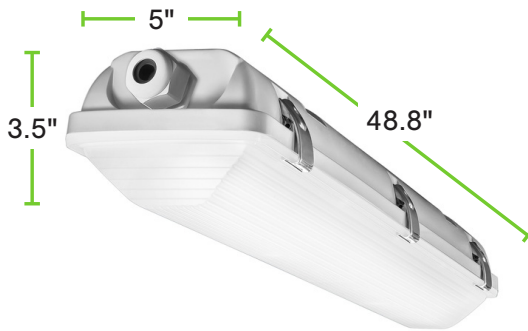
### **PLTS-40075, PLTS-40077, PLTS-40079, PLT-80070 DIMENSIONS**

Length: 48.8"

Height: 3.5"

Width: 5"

Weight: 5.95 lbs



### **PLT-80068 & PLT-80069 DIMENSIONS**

Length: 94.5"

Height: 3.1"

Width: 3.5"

Weight: 7.7 lbs.

