

LED AREA LIGHT

Model No. EAL-150W1033cws-7PS

LED **EAL-150W1033cws-7PS** is LED Area Light featuring 2835 LED chips with high efficiency (150-170 lumens per watt). It offers 3 color temperatures (3000K, 4000K, 5000K) and 3 wattage selections (150W, 120W, 100W). With an IP65 rating for outdoor use and over 110-degree light distribution angle, it provides bright, clear illumination. This light is UL/cUL and DLC 5.1 Premium certified, ensuring safety and eligibility for utility rebates, making it ideal for various outdoor lighting applications.



* Shorting Cap and 7-pin Receptacle included

±400W
REPLACEMENT



3 Wattage Selectable



3 CCT Selectable



IP65 Protection



Photocell



0-10V Dimmable



Wet Rated

Electrical Specifications

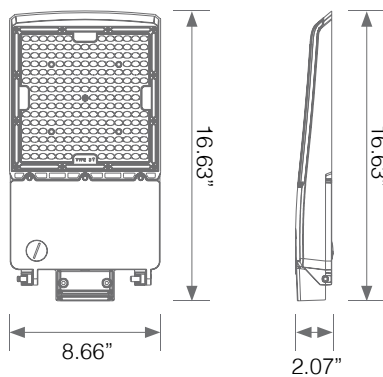
Input Power	Equivalency	Lumen Output(3000K)	Lumen Output(4000K)	Lumen Output(5000K)	CCT	Estimated Yearly Cost
100 W	250W	14500LM	16000LM	15700LM	3000/4000/5000K	\$12.04
120 W	250W	17400LM	19200LM	18840LM	3000/4000/5000K	\$14.45
150 W	400W	21667LM	23968LM	23553LM	3000/4000/5000K	\$18.06

Input Voltage	Luminous Efficacy	Beam Angle	CRI	Input Current	Power Factor	Lamp Lifespan
120-277 V	150-160 lm/W	Type III	70	0.58 A	0.9	50,000 Hrs.

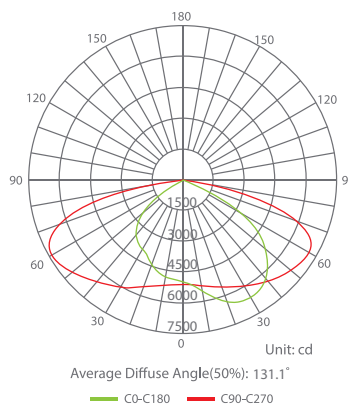
Mechanical Specifications

Rating	Operational Temperature	Inner Box QTY.	Master Box QTY.	Dimensions(in.)	UPC Code
Wet Rated	-40°F - 113°F	N/A	1 qty.	8.66"(W) x 2.07"(D) x 16.63"(H)	811174037941

Product Dimensions



Product Photometric Data



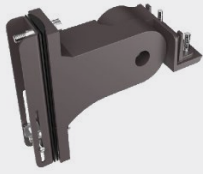
Control Compatibility



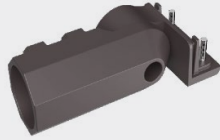
Shorting Cap & 7-pin Receptacle

Optional Accessories

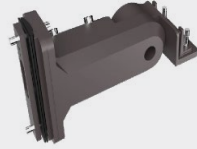
Mounting Bracket



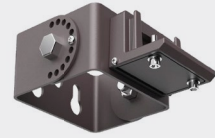
EAL-Directmount



EAL-Slipfitter



EAL-Universal



EAL-Trunnionmount

Photocell Mount



EAL-Photocell