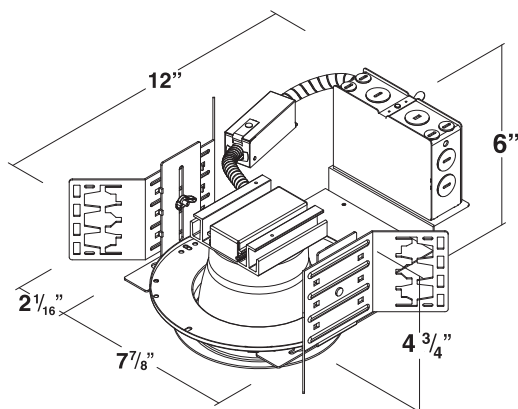


# LED 4" ARCHITECTURAL RECESSED DOWNLIGHT RECESSED FIXTURE

## RAF4 Series



### PRODUCT DESCRIPTION:

MaxLite's NON-IC architectural recessed downlight fixtures are a great alternative to HID, fluorescent, and traditional incandescent fixtures. Recommended for buildings where superior quality of light, flexible installation options, and durability are required.

### FEATURES:

- Unique optic allows high lumen transmission while concealing the LED light source resulting in efficient, inviting light and minimizing LED glare
- Architectural housing can accommodate 1/2" EMT conduit, HB24 or HBC-24 bar hanger, lathing channels, T-Bar grid ceilings or concealed spline ceilings
- Architectural fixture provides up to 5" vertical adjustment.
- Junction box listed for through branch circuit wiring (Max. 8 no.12AWG 90C conductors, 4 in and 4 out)
- Suitable for damp location use
- Dimmable down to 5% (120v only)
- Five year warranty

### ELECTRICAL:

- Universal voltage, driver can be supplied with 120V-277V
- LED array will provide minimum 50,000 hour L70 lifetime

**MODEL SELECTION** (Full list of order codes on pg. 2)

Typical order example: RAF41530W

RAF	4			W
FAMILY	SIZE	WATTAGE	COLOR TEMPERATURE (CTT)	TRIM COLOR
RAF= Architectural Recessed Frame	4= 4" Nominal diameter reflector	15= 15 watts *23= 23 watts 26= 26 watts	30= 3000K 40= 4000K	W= White

### ACCESSORIES

ORDER CODE	MODEL NUMBER	DESCRIPTION	ACCESSORIES IMAGE
73716	MLRR-HBAR	Hanger Bar Kit for Joists and T-Grid Ceilings	
74086	RR4-BNRING	4" Brushed Nickel Trim Ring	

### NOTES:

- \* 23W model is not ENERGY STAR qualified

# LED 4" ARCHITECTURAL RECESSED DOWNLIGHT FIXTURES

RAF4 Series

## SPECIFICATIONS:

		RAF41530W	RAF41540W	RAF42330W	RAF42340W	RAF42630W	RAF42640W
ITEM	SPECIFICATION	15 WATTS - DETAILS		23 WATTS - DETAILS		26 WATTS - DETAILS	
GENERAL PERFORMANCE	Color Temperature	3000K	4000K	3000K	4000K	3000K	4000K
	Lumens Delivered (lm)	785	875	1635	1695	1340	1515
	Efficacy (lm/w)	56	63	71	74	52	58
	Lumen Maintenance (L70)	50,000 hours					
ELECTRICAL	Power Consumption	14 Watts		23 Watts		26 Watts	
	Power Factor	>0.9					
	Input Voltage	120V-277V					
PHYSICAL	Mounting	Concealed Spline, ½" EMT Conduit, 'C' Channel, T Grid (order 24" adjustable hanger bars MLRR-HBAR)					
	Operating Temperature	-4° F to 113° F					
APPLICATION	Environment	Dry, Damp					
	Insulation	Non-IC, insulation must be kept 3" from all sides of the housing					
	Warranty	5 Year					

## ORDERING:

ORDER CODE	MODEL	OUTPUT (LUMENS)	CCT	POWER (WATTS)
73675	RAF41530W	785	3000K	14
73676	RAF41540W	875	4000K	
74378	RAF42330W	1,635	3000K	23
74379	RAF42340W	1,695	4000K	
73435	RAF42630W	1,340	3000K	26
73437	RAF42640W	1,515	4000K	

## COMPATIBLE DIMMERS:

MAKE	DIMMER MODEL
Lutron	CTCL-153PD*
Lutron	DVCL-153PL*
Lutron	CTELV-303P
Lutron	DVELV-303P
Lutron	LGCL-153PL*
Leviton	IPI10 Leviton

\* Dimming control should be adjusted to 5% minimum light output level in order to avoid flickering. Please consult dimming control instruction manual for specific procedure.