



DESCRIPTION

Reduce energy and maintenance costs by replacing existing HALO track heads with these more efficient color selectable LED linear wall wash track heads.

FEATURES

- Energy efficient replacement for 120W PAR38 halogen lamps
- High color rendering index (CRI) of 90 helps makes colors appear brighter and more vivid
- Compatible with HALO single and dual circuit track
- Arm can spin up to 350-degrees vertically; head can be adjusted up to 90-degrees horizontally
- Dimmable; see dimmer compatibility sheet for full list of compatible dimmers
- Color temperature can be adjusted via switch on back of fixture; see installation instructions for more information

LISTINGS

- ETL Listed for indoor/dry locations

PERFORMANCE

- CRI: 90
- CCT: 3000K, 4000K, and 5000K
- LED L70 Life Hours: ≥100,000 hours

ELECTRICAL

- Power Factor: >0.91
- THD: <50%
- Input Voltage: 120V

CONSTRUCTION

- Aluminum housing with white finish
- Polycarbonate lens

project name	type
catalog number	
comments	voltage
approved by	date



WARRANTY

- 5-year limited warranty; see pltsolutions.com for warranty details

APPLICATIONS

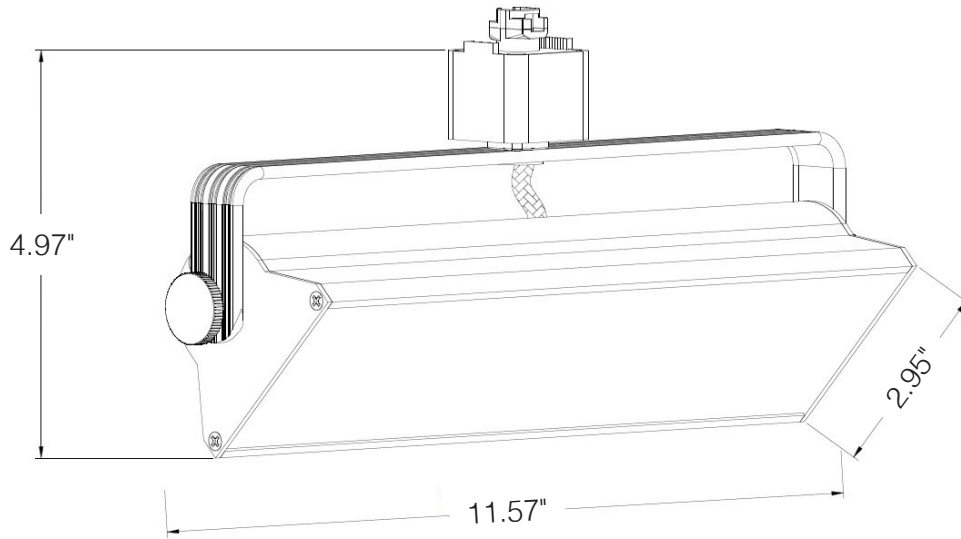
- Offices
- Lobbies
- Kitchens
- Art Galleries

PERFORMANCE	Power Consumption	20 Watt
	Lumens	1600
	Efficacy (LPW)	80
	CRI	90
	CCT	3000K, 4000K, 5000K
	LED L70 Life Hours	≥100,000
ELECTRICAL	Power Factor	>0.91
	THD	<50%
	Input Voltage	120V
CONSTRUCTION	Finish	White
	Lens	Clear
LISTINGS	Certifications	ETL
	Environment	Indoor/Dry Locations

PERFORMANCE SUMMARY

Item #	Lumens	Wattage	LPW	Voltage	Replaces	CCT	CRI	LED L70 Life Hours	Dimmable
PLTS-12280	1600	20	80	120V	120W Halogen	3000K/ 4000K/ 5000K	90	≥100,000	Yes

DIMENSIONS



DIMENSIONS

Length: 11.57"

Height (with arm): 4.97"

Width: 2.95"

Weight: 1.6 lbs

WARNINGS

- Only use this LED track light head with the dimmers listed in the compatibility list. Using this downlight with incompatible dimmers may cause performance issues including humming, buzzing, flickering, and poor dimming performance.