

Si-100-PST

100 Watt Pure Sine Wave Emergency Lighting Micro Inverter with Power Share Technology and internal " Shunt Relay" for 0-10 Vdc systems



Specifiers reference:

Project: _____
 Type: _____
 Model #: _____
 Comments: _____

Product Summary

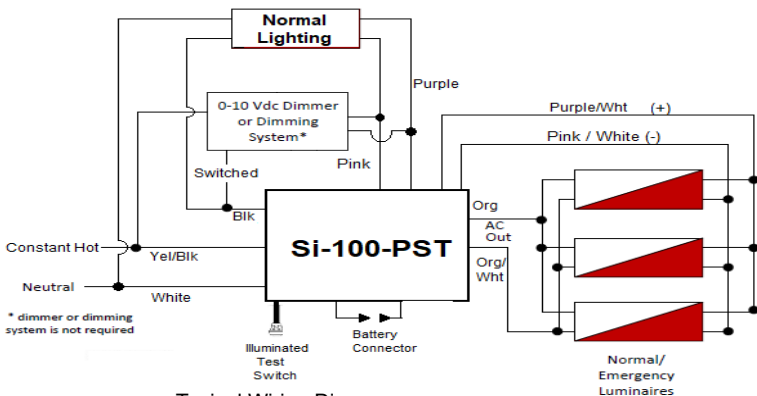
- Approvals** UL Listed to UL924 (Damp Rated)
- Input Voltage** (Universal Input) 120 - 277 Vac, 50 or 60Hz
- Input Current** 0.22 A (max)
- Input Power** 22 Watts (max.)
- Power Factor** > 0.9)
- Output Voltage** 120 - 277 Vac, 60 Hz
Auto setting output voltage equal to input voltage
- Output Power** **100 Watts**
- Operating Time** 90 Minutes minimum
- Operating Temperature** 0°C to 50°C (32°F to 122°F)
- Power Share Technology** ... Patent Pending Auto Adjust 0-10 Vdc to achieve rated **100 W** emergency power
Max. Connected Normal 0-10 Vdc load of **300W**
- Test Switch** Quick Connect IP65 rated illuminated test switch
- Recharge Time** 24 Hours
- Remote Mounting Distance** 1,000 ft (max. w/ 18ga wire)
- Battery** Lithium
- Dimensions** 19.5"L x 3.3" W x 2.5" H
- Weight** 8 lbs.
- Warranty** 5 years full. See website for warranty details

Description

The Assurance Emergency Lighting Si-100-PST is a compact, Pure Sine Wave Micro inverter designed for designated emergency lighting fixtures and includes Power Share Technology with an internal Shunt Relay for 0-10 Vdc dimming applications. In the event of a power failure, the inverter will automatically supply up to 100 watts of emergency power to LED or fluorescent luminaires for ninety (90) minutes. It can operate with single or multiple switched, dimmed, non-switched or emergency only luminaires. It can operate as a stand alone 100 watt inverter. It can be used with 0-10 Vdc controlled dimmable luminaires (up to 300W @120Vac or 277 Vac) and adjust the 0-10 Vdc dimming voltage to the AC drivers for rated emergency output.

Specifications

The Assurance Emergency Lighting Si-100PST is a compact pure sine wave output inverter designed for designated emergency lighting fixtures and includes PST- Power Share Technology. For 0-10Vdc dimming applications, the Power Share Technology allows for normal dimming to pass to the normal/emergency luminaire in normal operation and automatically applies an adjusted voltage to the emergency luminaire dimming driver leads in emergency operation. This allows the selected emergency luminaires to operate at 100W of EM luminaire total power. (maximum normal connected power up to 300 W). Compatible with linear 0-10Vdc dimming drivers. Contact factory for details regarding compatibility with logarithmic 0-10 vdc dimming drivers with PST operation. In the event of a power failure, the inverter will automatically supply up to 100 watts of emergency power to LED or fluorescent luminaires for a minimum of 90 minutes. It can operate with a single or multiple switched, dimmed, non-switched and emergency only luminaires. It can operate as a standalone 100 watt mini inverter. It can be used with single and multiple channel LED drivers and Type A, B or C TLED lamps. The emergency output will be up to 100 W at temperatures of 0-50°C. The Si-100-PST shall be UL924 Listed for factory or field installation. It shall meet or exceed the requirements of UL924, NFPA101 Life Safety Code, NFPA 70 National Electrical Code, OSHA, California Energy Commission- Title 20 and State and Local codes. Warranty: Five years full. See Website for warranty details



All Specifications subject to change without prior notifications.