

# ULTRA LED™ A-line Lamps

Omnidirectional



## Key Features & Benefits

- Dimmable down to 10%\*
- Long life: up to 25,000 hours (L<sub>70</sub>)
- UV and IR free
- Mercury and lead free
- RoHS compliant
- Available in 2700K and 5000K color temperatures
- Suitable for indoor or covered outdoor environments
- Reduces energy consumption up to 85%
- Last up to 16 times longer than incandescent lamps
- No warm-up time, instant-on with full light output and stable color

\* Performance may vary depending on dimmer used in application.



Rated up to 25,000 hours at 70% lumen maintenance, SYLVANIA ULTRA LED A-line omnidirectional lamps offer years of service and reduce energy and maintenance costs. SYLVANIA ULTRA LED lamps are environmentally preferred products. They are RoHS compliant and contain no mercury, lead or other hazardous materials. They emit no UV or IR radiation. A CRI of 80 ensures good color definition and with warm white 2700K and cool white 5000K color temperature, these lamps can be used in many applications in both homes and businesses.

## Product Offering

Ordering Abbreviation	Wattage	Color Temperature	Typical Lumens
LED6W A19	6	2700K & 5000K	450
LED6.5A19	6.5	2700K & 5000K	450
LED8.5A19	8.5	2700K & 5000K	800
LED9W A19	9	2700K & 5000K	800
LED9.5W A19	9.5	2700K & 5000K	1100
LED15W A21	15	2700K & 5000K	1600

### Applications

- Downlights
- Pendant fixtures
- Table lamps
- Wall sconces

### Market Segments

- Healthcare
- Hospitality
- Residential
- Retail

### Application Notes

1. Operating temperature range between -20°C and +45°C (-4°F and + 113°F)
2. Not for use with emergency light fixtures or exit lights
3. Suitable for totally enclosed fixtures (6, 6.5, 8.5, 9, 9.5W only)
4. Suitable for damp locations

This device complies with part 15 of the FCC Rules. Operation is subject to the following two conditions: (1) This device may not cause harmful interference, and (2) this device must accept any interference received, including interference that may cause undesired operation.



## Ordering Information

Item Number	Ordering Abbreviation	Wattage (W)	Base Type	Replaces	Input Voltage (V)	Average Rated Life (hrs.) <sup>1</sup>	CCT <sup>3</sup>	Typical Lumens (lm) <sup>2</sup>	CRI <sup>4</sup>	Power Factor	Bulb Finish	ENERGY STAR <sup>®</sup>
79163*	LED6.5A19/DIM/827/G5/RP	6.5	Medium	40W	120	25,000	2700K	450	80	0.88	Frosted	Yes
79242*	LED6A19/DIM/O/827/G5	6	Medium	40W	120	25,000	2700K	450	80	0.90	Frosted	Yes
79161*	LED8.5A19/DIM/827/G5/RP	8.5	Medium	60W	120	25,000	2700K	800	80	0.89	Frosted	Yes
79162*	LED6.5A19/DIM/850/G5/RP	6.5	Medium	40W	120	25,000	5000K	450	80	0.88	Frosted	Yes
79245*	LED6A19/DIM/O/850/G5/RP	6	Medium	40W	120	25,000	5000K	450	80	0.90	Frosted	Yes
79246*	LED9A19/DIM/O/827/G5	9	Medium	60W	120	25,000	2700K	800	80	0.90	Frosted	Yes
79160*	LED8.5A19/DIM/850/G5/RP	8.5	Medium	60W	120	25,000	5000K	800	80	0.89	Frosted	Yes
79249*	LED9A19/DIM/O/850/G5/RP	9	Medium	60W	120	25,000	5000K	800	80	0.90	Frosted	Yes
79486*	LED9.5A19/DIM/O/827/G4	9.5	Medium	75W	120	25,000	2700K	1100	80	0.90	Frosted	Yes
79489*	LED9.5A19/DIM/O/850/G4/RP	9.5	Medium	75W	120	25,000	5000K	1100	80	0.90	Frosted	Yes
79491*	LED15A21/DIM/O/827/G4	15	Medium	100W	120	25,000	2700K	1600	80	0.90	Frosted	Yes
79494*	LED15A21/DIM/O/850/G4/RP	15	Medium	100W	120	25,000	5000K	1600	80	0.90	Frosted	Yes

\* 79160 replaces 79249; 79161 replaces 79246; 79162 replaces 79245, 79163 replaces 79242, 79242 replaces 79099, 79245 replaces 79102, 79246 replaces 79103, 79249 replaces 72557, 79486 replaces 79082, 79489 replaces 79125, 79491 replaces 79105, 79494 replaces 75166

OSRAM SYLVANIA submits most lamps for ENERGY STAR testing. Early qualification for ENERGY STAR lamps begin at 25,000 hours (L<sub>70</sub>) regardless that the design of the lamp is manufactured for a greater life expectancy. As the lamps pass ENERGY STAR qualifications, manufacturers are able to increase rated life as dictated by ENERGY STAR guidelines becoming either provisionally qualified or fully qualified. Please visit EnergyStar.gov for more information about testing requirements for ENERGY STAR qualified products.

1. Hours lifetime with 70% (L<sub>70</sub>) lumen maintenance 2. Thermally stable typical lumens (±10%) 3. Thermally stable typical CCT (±10%) 4. CRI – Color Rendering Index

## Ordering Guide

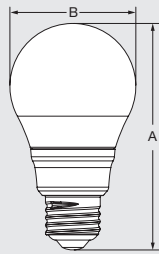
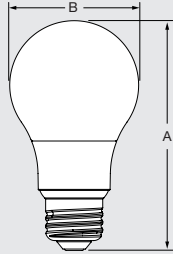
LED Lamps	6 Wattage	A19 Lamp Type	/	DIM Dimmable	/	0 Omnidirectional	/	8 CRI 80	27 CCT 2700K, 5000K	/	G5 Generation 5	/	RP Retail Pack
-----------	-----------	---------------	---	--------------	---	-------------------	---	----------	---------------------	---	-----------------	---	----------------

## Energy Savings

Basic Product Description	LED Life (hrs.)	LED Lumens	Similar Incandescent	Incandescent Life (hrs.)	Incandescent Lumens	Watts Saved	Energy Savings*	LED Life vs. Incandescent
LED6A19	25,000	450	40W A19	1500	465	34	\$93	>16x
LED6.5A19	25,000	450	40W A19	1500	465	33.5	\$92	>16x
LED8.5A19	25,000	800	60W A19	1000	850	51.5	\$141	25x
LED9A19	25,000	800	60W A19	1000	850	51	\$140	25x
LED9.5A19	25,000	1100	75W A19	750	1170	65.5	\$180	33x
LED15A21	25,000	1600	100W A19	750	1600	85	\$233	33x

\*Energy savings over life of lamp calculated at \$0.11/kWh

## Lamp Dimensions

	(A) MOL (inches)	(B) Diameter (inches)	
LED6A19 & LED9A19	4.24	2.36	
LED9.5A19, LED6.5A19 & LED8.5A19	4.21	2.36	
LED15A21	5.22	2.72	