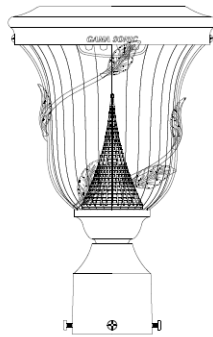




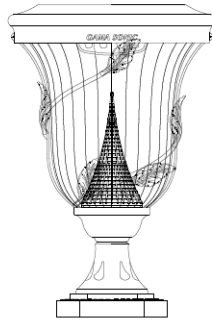
## FLORA SOLAR LAMP

US Patent # 7172307

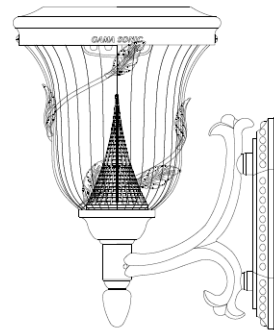
### Instruction Manual



GS-113F



GS-113P



GS-113W

### Introduction

Thank you for your purchase. **GAMA SONIC®** solar charged lighting eliminates the problems associated with most solar lighting available today. **GAMA SONIC®** solar charged lights are brighter and last all night with a full day solar charge. Unique design, superior light output and numerous installation options confirm the outstanding value of our product.

**GAMA SONIC®** has been recognized as a worldwide leader in the lighting industry for over 20 years. The company also offers unique multi-purpose rechargeable products that range from party lights to emergency lighting products.

Please read the instruction manual carefully to obtain the best results from your purchase.

Tools that are needed but not supplied with the solar post lamps are: screw driver, power drill.

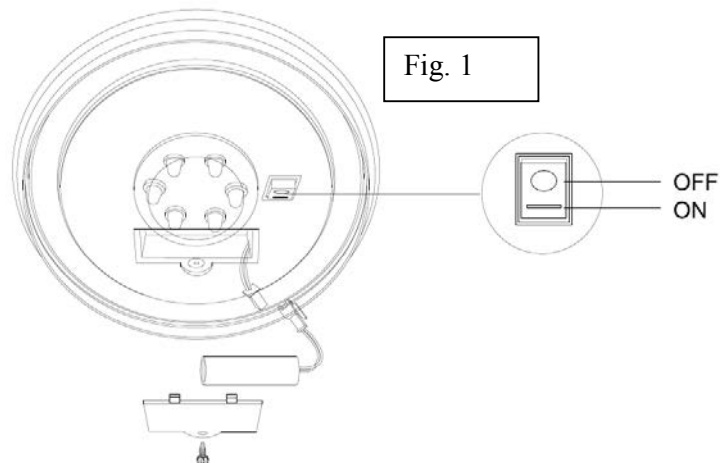
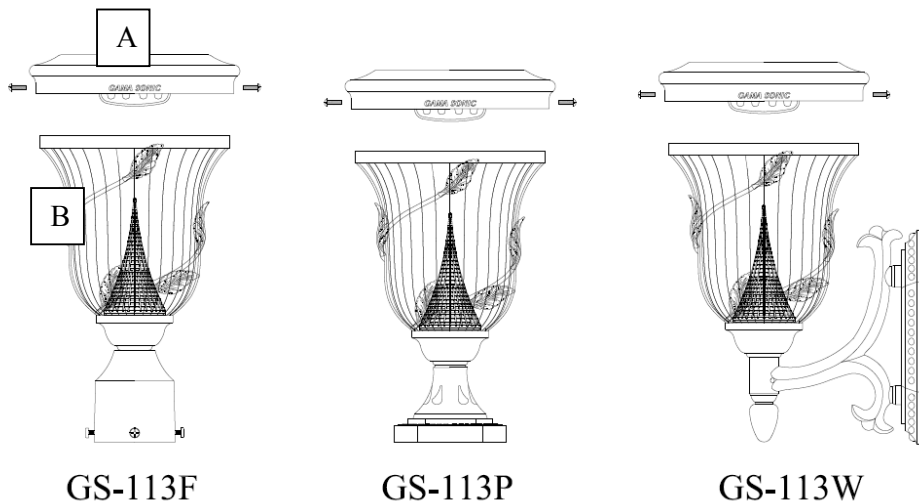
## Solar Lamp Post Location

For optimum light duration throughout the night, it is very important to place your solar lamp in a spot where it will receive the maximum amount of direct sunlight throughout the day.

**NOTE:** For best results, the solar lamp post must be charged for two sunny days in the “OFF” position,

## Operation Instructions

1. Remove part (A) from part (B) by unscrewing the 2 screws. Turn the operation switch (Fig. 1) to ON.
2. Reattach part (A) to part (B) and secure with the 2 screws. The Solar Lamp will automatically come on at dusk



## **Installation Instructions**

### **GS-113F**

**NOTE: If you are replacing an existing gas or electric light, you must consult a certified technician to disconnect the gas or electricity before installation of solar lamp.**

Place solar lamp on top of your existing 3” post and tighten the 3 screws provided to secure the lamp.

### **GS-113P**

Using the anchors screws, if needed,

1. Use electric drill to make two holes in the desired surface that match the holes on the solar lamp base.
2. Place the provided screw anchors into holes.
3. Place the lamp base in line with the holes and screw the base onto your desired surface with the provided screws.

### **GS-113W**

**NOTE: locate your solar lamp facing the south for best results.**

Using the screw anchors, if needed:

1. Remove wall lamp support piece by unscrewing the bronze screw caps from the back of the wall unit.
2. Use electric drill to make two holes in the desired location which match the holes on the lamp support piece, and place provided anchors into holes.
3. Place the wall lamp support piece in line with the holes and screw in using the provided screws.
4. Attach solar lamp to wall support piece and secure with bronze screw caps.

## **Replacing the Batteries**

(After several years of use, the battery may need replacing).

1. Unscrew the two screws and detach part (A) from part (B). Make sure the ON/OFF switch (Fig. 1) is in the OFF position.
2. Unscrew the battery compartment screw located on the silver reflector and remove the battery compartment door.
3. Unclip the connector and remove the old battery. Make sure the new battery is high quality 3.2V/1,500mAh Li-ion Rechargeable battery with connector.
4. Clip on new battery and install into the battery compartment. Screw back battery compartment door.
5. Reattach part (A) to part (B) and secure with the 2 screws.

**WARNING:** Do not dispose of Li-Ion battery in the regular trash, municipal waste stream or by fire as batteries may leak or explode. Do not open, short circuit, or mutilate batteries as injury may occur. Preserve our environment by recycling Li-Ion batteries or disposing of them in accordance with local, State and federal regulations. Do not mix old and new batteries.

### **Maintenance**

Clean the solar panel regularly with a damp towel to guarantee optimum performance. Do not use any type of solvent for cleaning and be careful not to put too much pressure on the solar panels while cleaning.

### **Trouble Shooting**

If your solar charged light does not come on at dusk despite observance of all the instructions, please try the following steps:

1. Make sure that the solar lamp is not being affected by any other light source.
2. Ensure the solar lamp is not positioned in the shade during the day.
3. Make sure the switch on the lamp head is in either the ON position (Fig. 1).
4. Check that the batteries are installed correctly.

**NOTE:** The performance of the solar lamp will vary with the time of year. It will deliver more light when it has had a full day in the sun rather than a day in overcast weather.

**WINTERTIME TIPS:** For optimal performance, be sure to remove any snow or debris accumulation from solar panel. A solar panel free of debris will charge the batteries much more efficiently.

**WARNING:** Please keep out of reach of children.

