



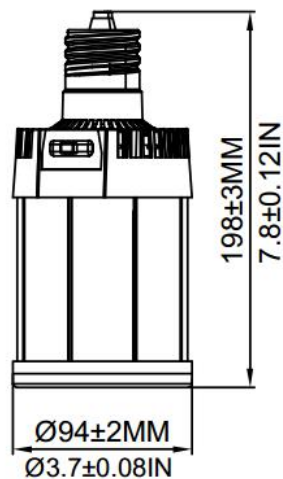
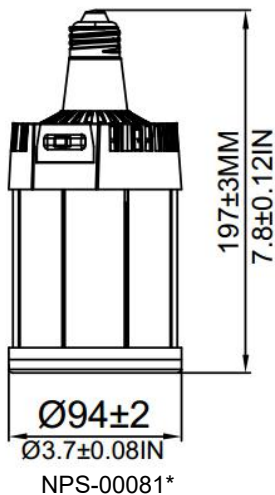
PLT-12956 - 40/60/80W, 3000/4000/5000K,
EX39 Base, 277-480V

DLC 5.1 Standard - PLTSNB521433

DIMENSIONS

E26

E39/EX39**



*Special Order, call 1-800-624-4488.

**E39 Version - NPT-00082 Special Order, call 1-800-624-4488.

ADVANTAGE

- UL certificate.
- E39 EX39 lamp base.
- High CRI.
- Internal driver, input voltage 277-480VAC.
- Meet 4kV surge immunity level.
- Long lifespan and good heat dissipation ,With Sunon fan
- Two dimming options are available, continuous dimming or segmented dimmer
- Fits many different fixtures to replace traditional lamps.

NOTICE FOR USER

- Please turn off power before installation or maintenance.
- The input voltage of the fixture and lamps should match.
- Installation, service, and maintenance of luminaires should be performed by a qualified licensed electrician.
- Suitable for damp locations. Do not use with dimmers.
- Make sure to remove or bypass the ballast in the fixture before installing the lamp.
- Suitable for use in enclosed luminaires, min. Luminaire compartment dimensions: 440*220*220 MM.

APPLICATION

- Replacement Lamps for Outdoor
- Pole/Arm-mounted Decorative Luminaires(Type B)

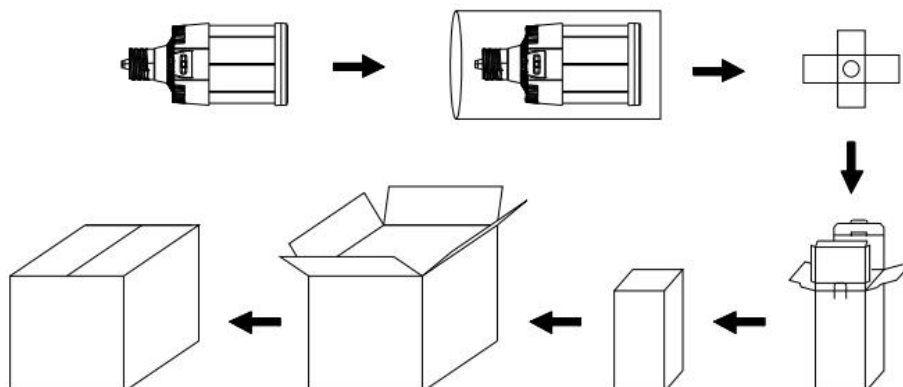
SPECIFICATIONS

OPTICAL	Input Power (Tolerance : ±10%)	80W (40W/60W/80W via switch)		
	Color Temperature (Color Tunable)	3000K	4000K	5000K
	Lumen (Tolerance : ±10%)	12220 LM	12800 LM	12660 LM
	Efficacy (Tolerance : ±3%)	152 LM/W	160 LM/W	158 LM/W
	CRI	>80		
	Color Consistency	<7 Steps (or <7 SDCM)		
	Diffuser Type	Clear PC		
	Beam Angle (50%) (Tolerance : ±25%)	280Degree		
ELECTRICAL	Input Voltage and Frequency	277-487VAC, 50/60Hz		
	PF (Tolerance : -3%)	≥0.9		
	THD (Tolerance : +5%)	≤20%		
	Flicker Percent	<30%		
	Driver Surge protection	L-N: 4kV		
	Dimmable	0-10V dimming standard (through manual knob on the lamp)		
	Equivalent	150W CFL 250W MHL/HPS/HID		
MATERIALS	LED Brand			
	LED Type	SMD2835		
	LED QTY	198 pcs of 3000K + 198 pcs of 5000K		
	Housing	PC + Aluminum		
	Housing Color	Any colors		
	Waterproof Rating	DAMP		
OTHERS	Operating Temperature	-40°C TO 50°C		
	Storage Temperature	-40°C TO 80°C		
	Operating Humidity	20% - 70% RH		
	Storage Humidity	10% - 75% RH		
	Warranty	5 years		

PACKAGE

	Carton Size	Qty / Carton	Net Weight / Carton	Gross Weight / Carton
Inner Carton	100*100*240MM/4*4*9.45IN	1 PC	0.58 KG/1.28lb	0.66KG/1.46lb
Outer Carton	420*320*255MM/16.5*12.6*10IN	12 PCS	7KG/15.4lb	9KG/19.8lb

Tolerance of Outer Carton Size: ±5 MM/±0.59IN, Tolerance of Weight: ±10%.



LIGHT DISTRIBUTION TESTING PARAMETERS

Remark: The testing data comes directly from the product test.

Luminaire Property

Luminaire Manufacturer:

Voltage: 277.3 V

Power: 74.38 W

Current: 0.284 A

Power Factor: 0.945

Photometric Results

CIE Class: General Diffuse

Measurement Flux: 11880.7 lm

Downward Ratio: 55%

Horizontal Diffuse Angle(10%,50%): H331.7,H285.9

Vertical Diffuse Angle(10%,50%): V330.6,V284.8

Luminaire Efficacy Rating (LER): 159.78

Max. Intensity: 1200.98 cd

S/MH(C0/C180): 2.56

Total Rated Lamp Lumens: 11880.7 lm

Efficiency: 100%

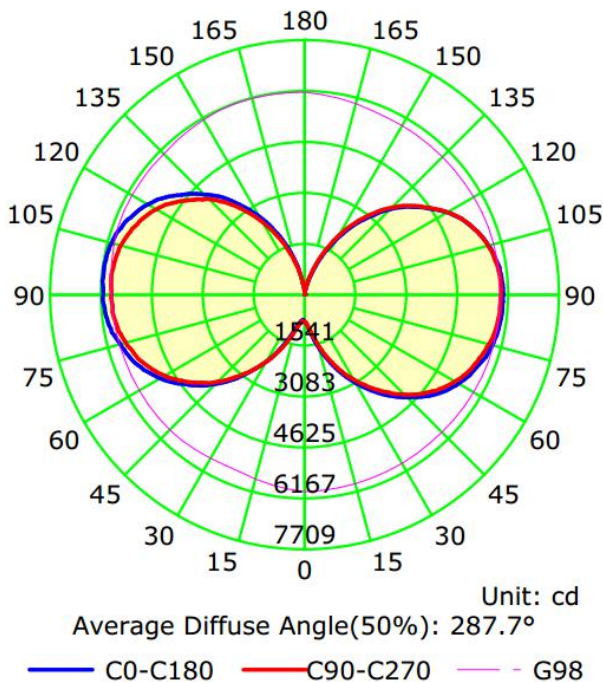
Upward Ratio: 45%

Central Intensity: 507.66 cd

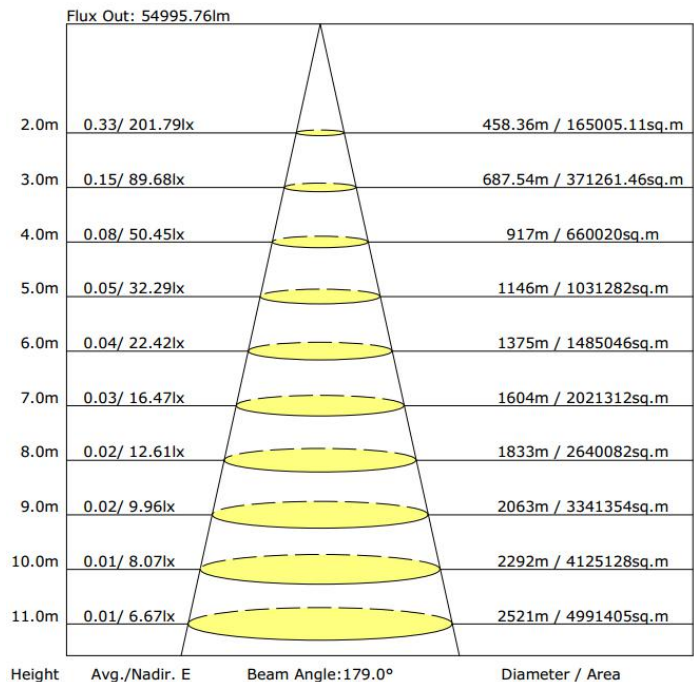
Pos of Max. Intensity: H202.5 V80

S/MH(C90/C270): 2.54

Luminous Intensity Distribution Curve



The Average Illuminance Effective Figure



TROUBLESHOOTING

Problem	Solution
Flickering light	Turn off the power, then turn on again after 3 minutes. If the light continues to flicker, call a licensed electrician.
Light is not coming on	Check the electrical connection.