

DESCRIPTION

Featuring two LED lamp heads and durable thermoplastic housing, these LED emergency lights provide light during a power outage or emergency.

FEATURES

- Two fully adjustable LED lamp heads; each head has 12 LED diodes
- Emergency operation for up to 90 minutes; recharges in 24 hours
- Built in 3.6V Ni-Cad battery
- Has manual test switch and charge indicator
- Universal J-box mounting pattern for easy installation

LISTINGS

- UL rated for damp locations
- UL 94V-0 flame rating
- FCC
- RoHS

PERFORMANCE

- Lamp Head Wattage: 1.2W
- Emergency Operation: 90 minutes
- Charging Time: 24 Hours

THERMAL

- 32°F to 104°F (-0°C to 40°C) operating temperature

ELECTRICAL

- Input Voltage: 120V/277V
- Input Current: 0.02A/0.01A
- Input Wattage: 2.4W

BATTERY

- Type: Ni-Cad
- Voltage: 3.6V
- Milliamp Hours: 1000 mAh

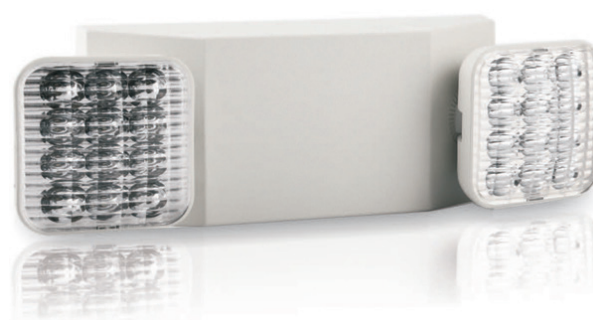
INSTALLATION

- Designed for wall or ceiling mounting; see Installation Instruction PDF for more information

CONSTRUCTION

- Injection-molded thermoplastic ABS housing with off-white finish

project name	type
catalog number	
comments	voltage
approved by	date



WARRANTY

- 5 year limited warranty for the electrical parts and housing; 3 year warranty for battery; see pltsolutions.com for warranty details

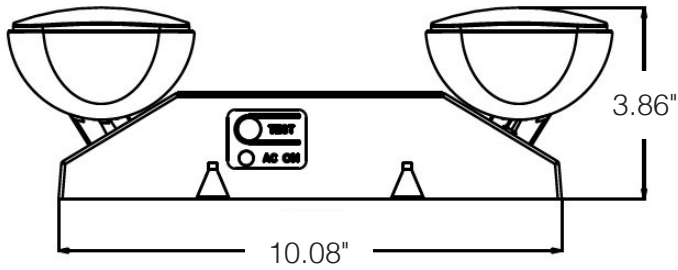
APPLICATIONS

- Hallways
- Stairwells
- Lobbies

PERFORMANCE SUMMARY

Item #	Input Wattage	Input Current	Voltage	Lamp Head Watts	Lumens	Battery Type	Emergency Operation	Recharge Time	Testing
PLTS-50283	2.4W	0.02A/ 0.01A	120V/277V	1.2W (each)	220+	Ni-Cad	90 Minutes	24 Hours	Manual

DIMENSIONS



DIMENSIONS

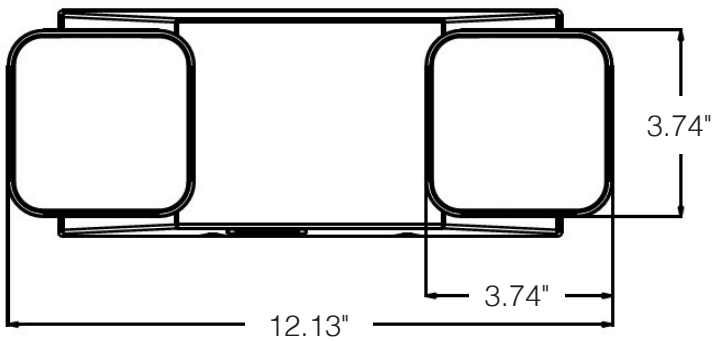
Height: 4.25"

Width: 10.08"

Width (with lamp heads): 12.13"

Depth: 3.86"

Weight: 1.54 lbs.



LAMP HEADS

Width: 3.74"

Height: 3.74"

WARNINGS

- Not for use outdoors.