



PLT-13164 - 30/45/60W, Up to 8056 Lumens, 30/40/50K, Bronze Finish

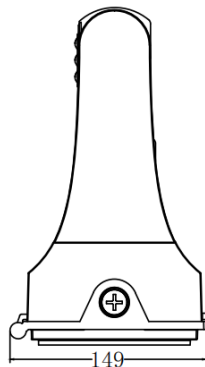
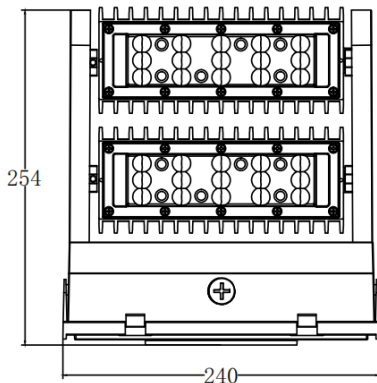
- Lenses rotate 350°



Wattage	CCT	Lumen	Efficacy
30	3000K	5246	175
	4000K	5246	175
	5000K	4872	162
45	3000K	7140	159
	4000K	7140	159
	5000K	6807	151
60	3000K	8405	140
	4000K	8405	140
	5000K	8056	134



DIMENSIONS



ADVANTAGE

- UL;
- IP65 Internal driver, Input voltage 120-277VAC;
- No UV or IR in the beam;
- Easy to install and operate;
- Energy saving, long lifespan;
- Instant start, NO humming;
- Green and eco-friendly without mercury.

APPLICATION

- ◆ Entrance lighting, courtyard lighting;
- ◆ Industrial lighting, Outdoor landscape lighting;
- ◆ Buildings, hotels;
- ◆ Wall lighting

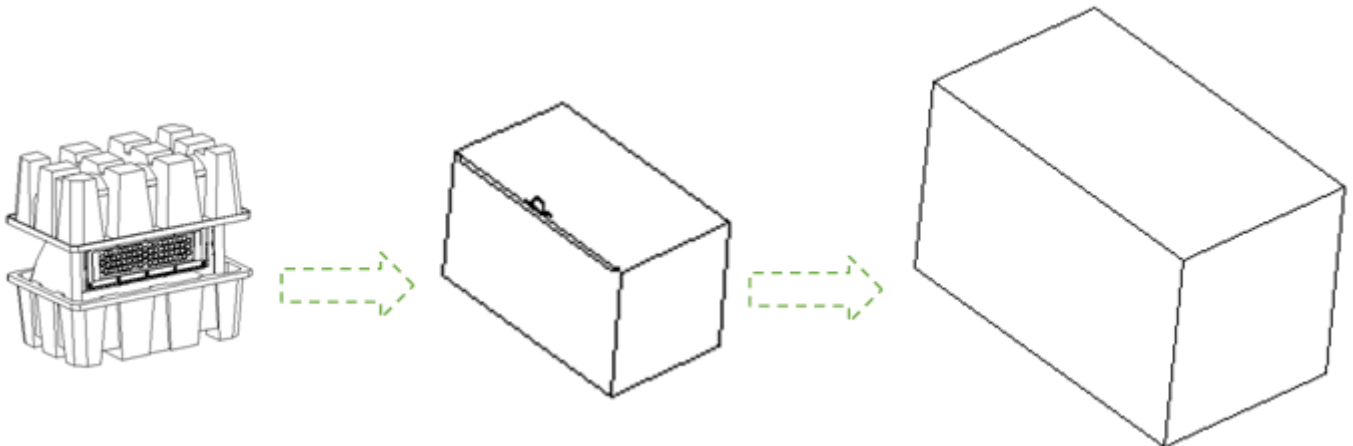
SPECIFICATIONS

OPTICAL	Input Power	60W (30/45/60W)		
	Lumen	Up to 8056LM (See Selectable Table on page 1 for full breakdown)		
	Lumen Efficacy	140LM/W	140LM/W	134LM/W
	Color Temperature	3000K	4000K	5000K
	CRI	>70		
	Viewing Angle	60 Degree		
ELECTRICAL	Input Voltage	120-277VAC 50/60Hz		
	PF	≥0.9		
	THD	≤20%		
	Driver Model	WP-HLA-060U0421400		
MATERIALS	LED Brand	Seoul		
	LED Type	SMD 3030		
	LED QTY	60*2 PCS		
	Housing	Aluminum Alloy		
	Housing Color	Bronze / Black* / Brown*/white*/customized*		
	Waterproof Rating	WET (IP65)		
OTHERS	Operating Temperature	-30°C TO 45°C		
	Operating Humidity	10%-90% RH		
	Storage Temperature	-40°C TO 80°C		
	Storage Humidity	10%-95% RH		
	Warranty Time	5 Years		

**Optional finishes available via Special Order. Please call 1-800-624-4488.*

PACKAGE

Lamp Net Weight	Size	Qty/Carton	Gross Weight / Carton
2.5 kg/pc	415 x 310 x 320 mm	2 pcs	6.85 kg



LIGHT DISTRIBUTION TESTING PARAMETERS

Luminaire Property

Luminaire Manufacturer:
 Voltage: 120.0 V
 Power: 57.69 W

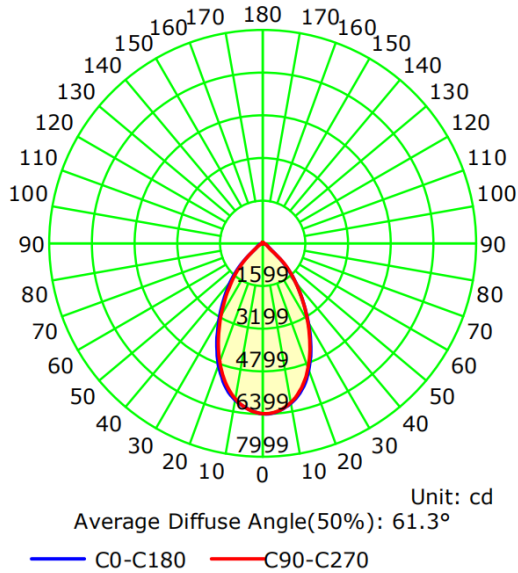
Current: 0.483 A
 Power Factor: 0.995

Photometric Results

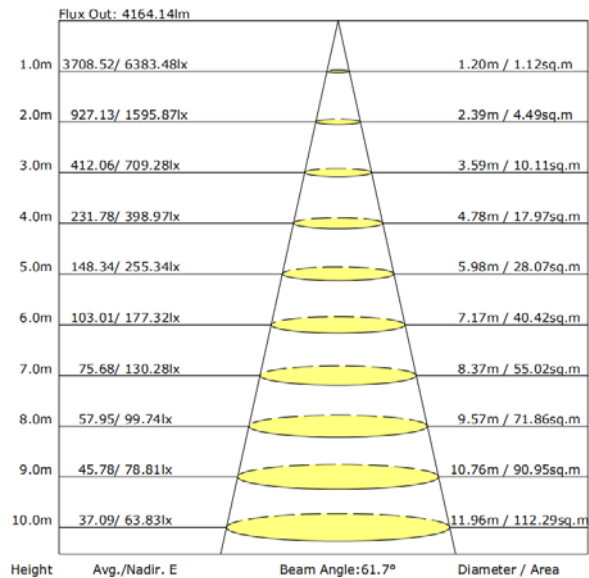
IES Classification: Type I
 Total Rated Lamp Lumens: 7270.1 lm
 Efficiency: 100%
 Upward Ratio: 2%
 Central Intensity: 6383.48 cd
 Pos of Max. Intensity: H0 V1

Longitudinal Classification: Very Short
 Measurement Flux: 7270.1 lm
 Downward Ratio: 98%
 Luminaire Efficacy Rating (LER): 126.07
 Max. Intensity: 6399.26 cd

Luminous Intensity Distribution Curve



The Average Illuminance Effective Figure



NOTICE FOR USER

- Please turn off power before installation or maintenance.
- Verify that supply voltage is correct by comparing it with the luminaire label information. Please make sure the wiring is insulated.
- Installation, service, and maintenance of luminaries should be performed by a qualified licensed electrician.

TROUBLESHOOTING

Problem	Solution
Flickering Light	Turn off the power, then turn on again after 3 minutes. If the light continues to flicker, call a licensed electrician.
Fixture not turning on	Check the electrical connection.