



12" Round LED Slim Surface Downlight w/ Emergency Battery Backup



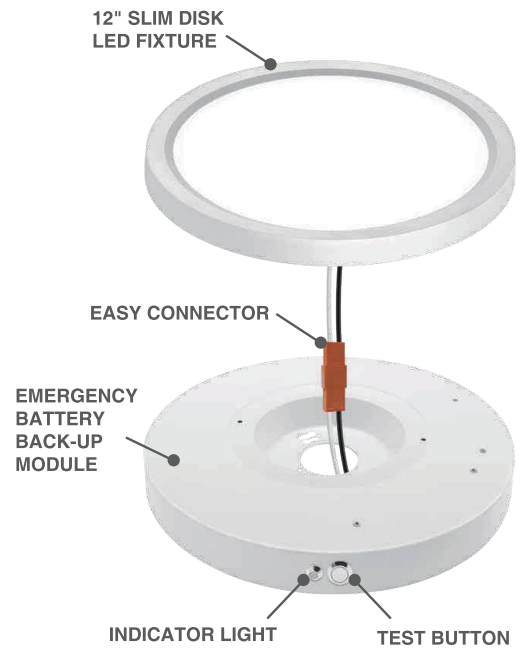
Model: PLT-12710

For 12" LED Slim Surface

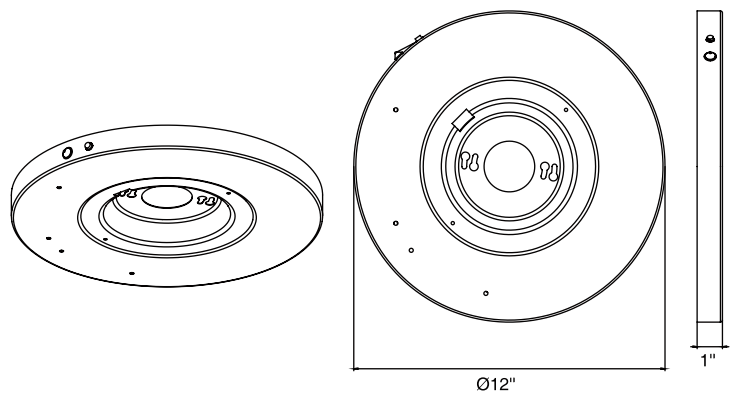
- 1" thick luminaire, 22W 1500lm
 - 100%-10% dimming capability, this fixture is compatible with industry standard TRIAC/ELV dimmers
 - Lifetime rated for greater than 50,000 hours
 - Input voltage: AC120V 60Hz
 - Edge-lit technology to produce a smooth uniform lighting effect
 - High quality aluminum material
 - Certification: ETL Damp Location
- 5-year Warranty

Downlight Specifications

Wattage	22W
CCT	2700K, 3000K, 3500K, 4000K, 5000K
Lumens*	1517
LPW*	69
LED L70 Life Hours	50,000
CRI	90
Voltage	120V
Beam Angle	120-degrees
Incan. Equal	120W
Surge Protection	2500V & Overcharge/Discharge Protection
Lens Material	Frosted Acrylic
Finish	White
Rating	ETL Damp Location
IP Rating	IP44



DIMENSION



Compatible Dimmers

Brand	Model
Lutron	PD-6WCL
Lutron	DVCL-153P
Lutron	CTCL-153P
Lutron	MACL-153M
Lutron	LECL-153P



Emergency Backup Information

Features

- Self test function
- Lithium battery backup module
- 24 hours recharge time
- ≥ 90 minutes operation from battery
- Switching time: < 1 second
- Over-charge/ discharge protection
- Test button
- Output: operates the installed LEDs for 90 minutes

LED Indicator Colors/ Functions

- Red: Battery is charging
- Green: Battery at full charge
- Yellow: Check system-possible battery replacement needed or system maintenance required
- Green Flashing: Monthly or annual test mode is running
- Off: Indicates a power outage when the battery backup unit is in emergency mode the LED indicator will be Off
- Minimum Charge Time: 24 hours



LED Source



Emergency Time



Safety Protection



Self Test

Test Button

1. While main power is on, and switch is off

- A long press of the test button, simulates the “main power outage” or “emergency mode”. The light fixture will turn on this case. It will be running on battery power.
- Release the test button, the light fixture turns to normal status
- As the system runs its check on the battery power and circuit connections, the LED indicator will flash green @ 1 cycle/ second.
- Pressing test button for >6 seconds puts the unit into the annual self test routine. (up to 90 minutes run time) Note: The system will completely discharge the battery during this routine).
- As the system runs its more detailed annual test on the battery power and circuit connections, the LED indicator will quickly flash green @ 3 cycle/ second.

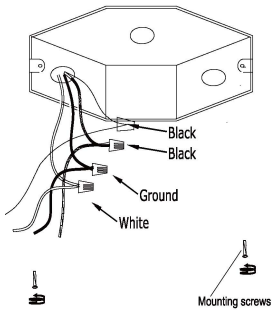
2. While in Emergency Status (mains power outage):

- Pressing test button for <1 second shuts off the unit. Press again to turn it back on.
- Pressing test button for >6 seconds, shut off emergency output after the LED indicator quickly flashes green 3 times. In this state, the system will not function unless the mains power is reset.

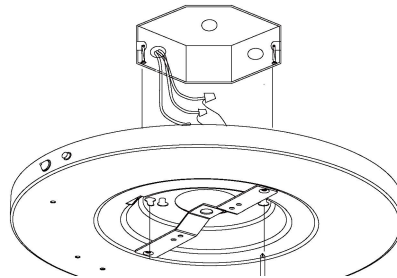


INSTALLATION

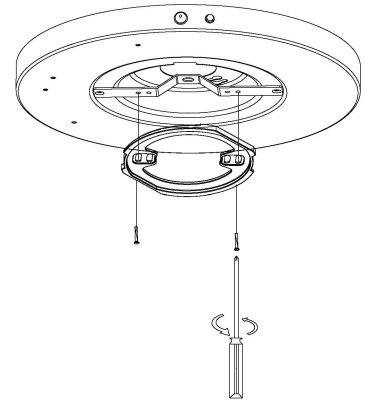
Step 1



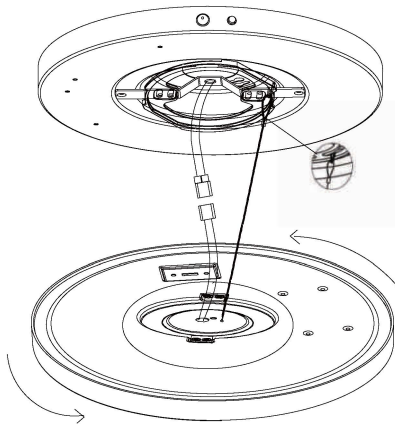
Step 2



Step 3



Step 4



Step 5

